



NORGES STATSBANER

GODSVOGNER

BRETT SPOR

OSLØ 1 JANUAR 1936

(ERSTATTER TILSVARENDE FORTEGNELSE AV 1. JANUAR 1925)

Y:0



2

Eks. 2

Mag 9629.46 (481)
NSB Not

INNHold

Eiendomsmerker, distriktsmerker (eller banemerke)

Litrabetegnelser

Vognutstyr

Oversikt - Vognene ordnet efter nummer

Beskrivelse av vognene

EIENDOMSMERKER, DISTRIKTSMERKER (ELLER BANEMERKE)

Distrikt	Bane	Eiendomsmerke	Distriktsmerke (eller banemerke)
Oslo	Hovedbanen Östfoldbanen Gjøvikbanen Kongsvingerbanen Solørbanen	N.S.B. NORGE	Distriktsmerke „Oslo”
Drammen	Drammenbanen Randsfjordbanen Sörlandsbanen Porsgrund-Brevikbanen Numedalsbanen Bratsbergbanen	N.S.B. NORGE N.S.B.(T.P.B.)NORGE	Distriktsmerke „Drm” Banemerke „T.P.B.”
Hamar	Eidsvoll-Dombåsbanen Raumabanen Rörosbanen (Hamar-Koppang)	N.S.B. NORGE	Distriktsmerke „Hmr”
Trondheim	Dovrebanen Meråkerbanen Nordlandsbanen	N.S.B. NORGE	Distriktsmerke „Thm”
Bergen	Bergensbanen	N.S.B. NORGE	Distriktsmerke „Brg”
Narvik	Ofotbanen	N.S.B. NORGE	Distriktsmerke „Nrv”

LITRABETEGNELSER.

Bokstavmerke	G	=	Lukket godsvogn.
"	Gv	=	Varmevogn.
"	H	=	Kjölevogn.
"	Hv	=	Kjöle- og varmevogn.
"	K	=	Tömmervogn.
"	L	=	Kassevogn.
"	Lg	=	Gjödsvogn.
"	Lk	=	Kalkvogn.
"	Ls	=	Stenkullvogn.
"	Lt	=	Trekullvogn, Flisvogn o.l.
"	M	=	Grusvogn.
"	Ms	=	Spesial grusvogn.
"	MK	=	Grus- og tömmervogn.
"	N	=	Stakevogn.
"	NP	=	Stake- og malmvogn.
"	Q	=	Tankvogn.
"	S	=	Melkvogn.
"	T	=	Plattformvogn
"	TI	=	Plattformvogn med nedleggbare jernlemmer.
"	Tr	=	Transformatorvogn.
"	Ts	=	Spesial plattformvogn.
"	ZI	=	Likvogn.
"	Ö	=	Bunntömningsvogn.

o efter bokstavmerket betegner, at vognen er boggivogn.

f " — " — " — , at vognen har bremsarhus.

Videre betegner:

Indeks 1: Vogner med inntil 9 tonns aksestrykk og liten vognkasse.

"	2:	"	"	"	9	"	—	"	större vognkasse.
"	3:	"	"	"	12	"	—		
"	4:	"	"	"	14-15	"	—		

VOGNUTSTYR.

Tallene i rubrikken „Bremses, opvarming, belysning m.v.” betegner:

- 1 Vakuumbremse
- 1 H Hildebrand-Knorrbremse
- 1 KK Kunze-Knorrbremse
- 1 w Westinghousebremse
- 2 Rörledning for Vakuumbremse
- 3 Skruebremse
- 5 Dampopvarming
- 6 Ledning for dampopvarming
- 7 Schweizerapparat
- 8 Ovn
- 13 Petroleumsbelysning
- 15 Rörledning for trykkluftbremse
- 20 Dansk vakuumkobling
- 21 Hevarmbremse
- 24 Frie lenkaksler
- 35 Dansk varmekobling
- 39 Elektrisk opvarming
- 40 Ledning for elektrisk opvarming

OVERSIKT

Nr.	1000		1100		1200		1300		1400		Nr.	1000		1100		1200		1300		1400	
	Litra	Type	Litra	Type	Litra	Type	Litra	Type	Litra	Type		Litra	Type	Litra	Type	Litra	Type	Litra	Type	Litra	Type
00					6 2	1					50										
01	CF 3 ^a)	1	G 1	2	"	"					51		G 1	2							
02	"	"	"	"	"	"					52		"	"							
03	"	"	"	"	"	"					53		"	"							
04			"	"	"	"			L 1	1	54		"	"							
05			"	"	"	"			"	"	55		"	"							
06			"	"	"	"			"	"	56										
07	F V	5	"	"	"	"					57										
08	"	3	"	"	"	"					58		G 1	2							
09	"	4	"	"	"	"			L 1	1	59		G 2	1							
10	"	5	"	"	"	"			"	"	60		"	"							
11			"	"	"	"	K 1	3			61		"	"							
12			"	"	"	"	"	"	L 1	1	62		"	"							
13			"	"	"	"	"	"	"	"	63		"	"							
14			"	"	"	"	"	"	"	"	64		"	"							
15			"	"	"	"	"	"			65										
16			"	"	"	"	"	"			66		G 2	1							
17			"	"	"	"	"	"	L 1	1	67		"	"							
18			"	"	"	"	"	"	"	"	68		"	"							
19			"	"	"	"	"	"	"	"	69		"	"							
20			"	"	"	"	"	"	L 1	1	70		"	"							
21			"	"	"	"	"	"	"	"	71		"	"							
22			"	"	"	"	"	"	Lk 3	2	72		"	"							
23	Fd V	10	"	"	"	"	"	"	"	"	73		"	"							
24	"	"	"	"	"	"	"	"	"	"	74		"	"							
25	"	8	"	"	"	"	"	"	"	"	75		"	"							
26	"	"	"	"	"	"	"	"	"	"	76		"	"							
27	"	"	"	"	G 2	1	"	"	"	"	77		"	"				Q 2	2		
28	"	"	"	"	"	"	"	"	"	"	78		"	"				K 1	2		
29	"	"	"	"	"	"	"	"	"	"	79		"	"							
30			"	"	"	"	"	"	"	"	80		"	"				"	"		
31			"	"	"	"	"	"	"	"	81	G 1	4	"	"			"	"		
32			"	"	Gv 2	1	"	"	"	"	82	"	"	"	"			"	"		
33			"	"	"	"	"	"	"	"	83	"	"	"	"			"	"		
34	G 1	4	"	"	"	"	"	"	"	"	84	G 1	4	"	"			"	"		
35	"	"	G 1	2	"	"	"	"	"	"	85	"	"	"	"			"	"		
36	"	"	"	"	"	"	"	"	"	"	86	"	"	"	"			"	"		
37	"	"	"	"	"	"	"	"	"	"	87	"	"	"	"			K 1	2		
38	G 1	4	"	"	"	"	"	"	"	"	88	"	"	"	"			"	"		
39	"	"	"	"	"	"	"	"	"	"	89	G 1	4	"	"			"	"		
40			"	"	"	"	"	"	"	"	90			"	"			"	"		
41			"	"	"	"	"	"	"	"	91	G 1	4	"	"			"	"		
42			"	"	ZL'	2	"	"	"	"	92	"	"	"	"			"	"		
43			"	"	"	"	"	"	"	"	93	"	"	"	"			"	"		
44			"	"	"	"	"	"	"	"	94	"	"	"	"			"	"		
45			"	"	"	"	"	"	"	"	95	G 1	4	"	"			"	"		
46			"	"	"	"	"	"	"	"	96	"	"	"	"			"	"		
47			"	"	"	"	"	"	"	"	97	G 1	4	"	"			"	"		
48			"	"	"	"	"	"	"	"	98	"	"	"	"			"	"		
49			"	"	"	"	"	"	"	"	99	"	"	G 2	1			"	"		

∫ Se illustreret fortegnelse over personvognen.

1500 -

Oversikt

1999

Nr.	1500		1600		1700		1800		1900		Nr.	1500		1600		1700		1800		1900	
	Litra	Type	Litra	Type	Litra	Type	Litra	Type	Litra	Type		Litra	Type	Litra	Type	Litra	Type	Litra	Type	Litra	Type
00					N1	2	N1	2	N1	2	50	L1	1			N1	2	N1	2	N1	2
01					"	"	"	"	"	"	51	"	"	N1	2	"	"	"	"	"	"
02					"	"	"	"	"	"	52	"	"	"	"	"	"	"	"	"	"
03											53	"	"	N1	2	"	"	N1	2	"	"
04											54	"	"	"	"	"	"	"	"	"	"
05					N1	2	"	"	"	"	55	"	"	N1	2	"	"	"	"	"	"
06					"	"	"	"	"	"	56	"	"	N1	1	"	"	"	"	"	"
07					"	"	"	"	"	"	57	"	"	N1	2	"	"	"	"	"	"
08											58	"	"	"	"	"	"	"	"	"	"
09					N1	2	"	"	N1	2	59	"	"	"	"	"	"	N1	2	"	"
10					"	"	"	"	"	"	60	"	"	"	"	"	"	"	"	"	"
11					"	"	"	"	"	"	61	"	"	"	"	"	"	"	N1	2	"
12					"	"	"	"	"	"	62	"	"	"	"	"	N1	2	"	"	"
13					"	"	"	"	"	"	63	L1	1	N1	2	N1	2	"	"	"	"
14					"	"	"	"	"	"	64	"	"	"	"	"	"	"	"	"	"
15											65	"	"	"	"	"	"	"	"	"	"
16					N1	2	"	"	"	"	66	"	"	"	"	N1	2	"	"	"	"
17					"	"	"	"	"	"	67	"	"	N1	2	"	"	"	"	"	"
18					"	"	N1	1	"	"	68	L1	1	"	"	N1	2	"	"	"	"
19					"	"	N1	2	"	"	69	"	"	"	"	"	"	"	"	"	"
20					"	"	"	"	"	"	70	"	"	N1	2	"	"	N1	2	"	"
21	L1	1			N1	2	"	"	"	"	71	"	"	"	"	"	"	"	"	"	"
22					"	"	"	"	"	"	72			N1	2	"	"	"	"	"	"
23	L1	1			"	"	"	"	"	"	73			"	"	"	"	"	"	"	"
24	"	"			N1	2	"	"	"	"	74			"	"	"	"	"	"	"	"
25	"	"			"	"	N1	2	"	"	75			N1	2	"	"	"	"	"	"
26	"	"			"	"	"	"	"	"	76			"	"	"	"	"	"	"	"
27	"	"			"	"	"	"	"	"	77			"	"	"	"	"	"	"	"
28	"	"			"	"	"	"	"	"	78			"	"	"	"	N1	2	"	"
29	"	"			"	"	"	"	"	"	79			"	"	"	"	"	"	"	"
30	"	"			N1	2	N1	2	"	"	80			"	"	"	"	"	"	"	"
31	"	"			"	"	"	"	"	"	81			"	"	N1	2	N1	2	"	"
32	"	"			"	"	"	"	"	"	82			"	"	"	"	"	"	"	"
33	L1	1			N1	2	N1	2	"	"	83			N1	2	"	"	N1	2	"	"
34	"	"			"	"	"	"	N1	2	84			"	"	"	"	"	"	"	"
35	"	"			"	"	"	"	"	"	85			"	"	"	"	"	"	"	"
36	"	"			N1	2	"	"	"	"	86			"	"	"	"	"	"	"	"
37	"	"			"	"	N1	2	"	"	87			"	"	N1	2	N1	2	"	"
38	L1	1			"	"	"	"	"	"	88			N1	2	"	"	"	"	S1	2
39	"	"			"	"	N1	2	"	"	89			"	"	"	"	N2	3	"	"
40	"	"			"	"	"	"	"	"	90			N1	2	"	"	N1	2	"	"
41	"	"			"	"	"	"	N1	2	91			"	"	"	"	"	"	"	"
42	L1	1			"	"	"	"	"	"	92			"	"	"	"	"	"	"	"
43	"	"			"	"	N1	2	"	"	93			N1	2	"	"	"	"	"	"
44	"	"			"	"	"	"	"	"	94			"	"	N1	2	N1	2	"	"
45	"	"			"	"	"	"	"	"	95			N1	2	"	"	"	"	"	"
46	L1	1			N1	2	"	"	"	"	96			"	"	"	"	"	"	S1	1
47	"	"			"	"	"	"	"	"	97			"	"	"	"	N1	2	"	"
48	"	"			"	"	"	"	"	"	98			N1	2	"	"	"	"	"	"
49	"	"			"	"	"	"	"	"	99			"	"	"	"	N1	2	"	"

Nr.	2000		2100		2200		2300		2400		Nr.	2000		2100		2200		2300		2400	
	Litra	Type	Litra	Type	Litra	Type	Litra	Type	Litra	Type		Litra	Type	Litra	Type	Litra	Type	Litra	Type	Litra	Type
00			G1	2			N1	1	M1	1	50	G1	2	K1	1					N1	1
01	F ψ	2	"	"	K1	2	Lg1	1	N2	1	51	G1	1	"	"					"	"
02			"	"							52	GF2	2	"	"			L1	2	"	"
03	CF ψ	3	"	"	K1	2	Lg1	1	"	"	53	"	"	"	"	K1	2			"	"
04	"	"	"	"			"	"	"	"	54	G1	1	"	"			L1	2		"
05	CF3b ψ	1	"	"			"	"	"	"	55	GF2	2								"
06			"	"			"	"	"	"	56	"	"	K1	1					N1	1
07	F ψ	5	"	"	Q2	3					57	"	"	"	"	K1	2	L1	2	"	"
08	Fd ψ	1	"	"							58	"	"	"	"	"	"	"	"	"	"
09			"	"			Lg1	1	"	"	59	GF2	2	"	"	K1	2			"	"
10	Fd ψ	1					"	"	"	"	60	"	"	"	"	"	"	"	"	"	"
11	"	2	GF2	3							61			K1	2	N1	1	MF1	1		"
12			"	"	K1	2	Lg1	1	"	"	62			"	"	"	"	"	"	N1	1
13	F ψ	4	"	"			"	"	"	"	63			"	"	"	"	"	"	"	"
14	"	7	GF2	1	K1	2					64			"	"	"	"	"	"	"	"
15	"		GvF2	1	"	"	Lg1	1	"	"	65			"	"	"	"	M1	1		"
16	"		GF2	2			"	"	"	"	66			"	"	"	"	MF1	1	N1	1
17	"		"	"			"	"	"	"	67			K1	2	N1	1	"	"	"	"
18	"		"	"	K1	2					68			"	"	N2	3	"	"	N1	1
19	"		"	"			"	"	"	"	69			K1	2	N1	1	"	"	"	"
20	"		"	"							70					N2	3	"	"	"	"
21	"		"	"			L1	1	"	"	71					N1	1	M1	1	N1	1
22	Fd ψ	5	Hv2	1			Lg1	1	"	"	72					"	"	"	"	"	"
23	"		"	"	K1	2	"	"	"	"	73					"	"	"	"	N1	1
24	"		"	"	"	"	L1	1	"	"	74			K1	2	"	"	MF1	1	"	"
25	F ψ	11	"	"			Lg1	1	"	"	75	G1	1			"	"	"	"	"	"
26	"		Ms3	2	K1	2	"	"	"	"	76			K1	2	"	"	M1	1	N1	1
27	"		"	"			L1	1	"	"	77			K1	2	"	"	MF1	1	"	"
28	"		"	"			Lg1	1	"	"	78			"	"	"	"	"	"	N1	1
29	"		"	"			L1	1	"	"	79					N1	1	M1	1	"	"
30	"		"	"	K1	2					80							MF1	1	"	"
31	"		"	"	"	"	Lg1	1	"	"	81			K1	2	N1	1	M1	1	"	"
32	G1	2	"	"			L1	1	"	"	82							MF1	1	N1	1
33	"		"	"			Lg1	1	"	"	83			K1	2	N1	1	"	"	"	"
34	"		"	"			L1	1	"	"	84					"	"	M1	1	"	"
35	"		"	"			Lg1	1	"	"	85					"	"	"	"	"	"
36	"		K1	1	K1	2	"	"	"	"	86			K1	2	"	"	"	"	N1	1
37	G1	2					"	"	"	"	87			"	"	"	"	MF1	1	"	"
38	"						Lg1	1	N1	1	88	G3	1			"	"	"	"	"	"
39	"		K1	1			"	"	"	"	89					"	"	M1	1	"	"
40	"		"	"	K1	2					90					N2	3	MF1	1	"	"
41	"		"	"			Lg1	1	N2	3	91					N1	1	"	"	N1	1
42	G1	2	"	"	K1	2	"	"	N1	1	92	G1	2			"	"	M1	1	M1	1
43	"		"	"	"	"	"	"	"	"	93	"	"			"	"	MF1	1	"	"
44	"		K1	1			"	"	"	"	94	"	"			"	"	"	"	"	"
45	G1	2	"	"			"	"	"	"	95	"	"			N1	1	M1	1	N1	2
46	"		"	"	K1	2	Lg1	1	"	"	96					"	"	MF1	1	M1	1
47	"		"	"			"	"	N1	1	97	G1	2			"	"	"	"	"	"
48	G1	2					Lg1	1	"	"	98	"	"	K1	2	"	"	M1	1	N1	1
49	"		K1	1			"	"	N1	1	99	"	"			"	"	MF1	1	M1	1

1) Se illustreret fortegnelse over personvogner.

Nr.	3000		3100		3200		3300		3400		Nr.	3000		3100		3200		3300		3400	
	Litra	Type	Litra	Type	Litra	Type	Litra	Type	Litra	Type		Litra	Type	Litra	Type	Litra	Type	Litra	Type	Litra	Type
00			Gv3	1	G2	1	G2	1	Gfo2	3	50			G3	1	G2	1	G3	1	Hvf3	1
01			G3	1	"	"	"	"	"	"	51	G3	1	"	"	"	"	"	"	Gf2	1
02			"	"	"	"	"	"	"	"	52	Gv3	1	"	"	"	"	"	"	"	"
03			"	"	"	"	"	"	"	"	53	G3	1	"	"	"	"	"	"	"	"
04			"	"	"	"	"	"	"	"	54	"	"	"	"	"	"	"	"	"	"
05			"	"	"	"	"	"	"	"	55	"	"	"	"	"	"	"	"	"	"
06			Gv3	1	"	"	"	"	"	"	56	"	"	"	"	"	"	"	"	Hvf3	1
07	Fy	6	G3	1	"	"	G2	1	"	"	57	"	"	"	"	"	"	"	"	"	"
08	"	"	"	"	"	"	"	"	"	"	58	"	"	"	"	"	"	"	"	"	"
09	"	9	"	"	"	"	"	"	"	"	59	"	"	"	"	"	"	"	"	"	"
10	"	"	"	"	"	"	"	"	"	"	60	"	"	"	"	"	"	"	"	"	"
11	"	"	"	"	"	"	"	"	"	"	61	"	"	Gf3	3	"	"	"	"	"	"
12	"	"	"	"	"	"	"	"	"	"	62	"	"	"	"	G2	1	"	"	"	"
13	"	"	"	"	"	"	"	"	"	"	63	"	"	"	"	"	"	G3	1	"	"
14	"	"	"	"	"	"	G3	1	"	"	64	"	"	"	"	"	"	"	"	"	"
15	"	"	"	"	"	"	"	"	"	"	65	"	"	"	"	"	"	"	"	Hv3	1
16	Fy	1	"	"	"	"	"	"	"	"	66	"	"	"	"	"	"	"	"	"	"
17	"	7	"	"	"	"	"	"	"	"	67	"	"	"	"	"	"	"	"	"	"
18	"	1	"	"	"	"	"	"	"	"	68	"	"	"	"	"	"	"	"	Hvf3	1
19	"	"	Gv3	1	"	"	"	"	"	"	69	"	"	"	"	"	"	"	"	Hf3	1
20	"	"	G3	1	"	"	"	"	"	"	70	"	"	"	"	"	"	"	"	"	"
21	Fy	2	"	"	"	"	"	"	Hv3	1	71	"	"	G3	1	"	"	"	"	"	"
22	"	"	"	"	"	"	"	"	"	"	72	"	"	"	"	"	"	"	"	Hv1	1
23	Fy	2	"	"	"	"	"	"	"	"	73	"	"	"	"	"	"	"	"	"	"
24	"	1	"	"	"	"	"	"	"	Hvf3	1	74	"	"	"	"	"	"	"	"	"
25	CFy	2	"	"	"	"	"	"	"	"	75	Gv3	1	"	"	"	"	"	"	"	"
26	"	"	"	"	"	"	"	"	"	"	76	G3	1	"	"	"	"	"	"	"	"
27	"	"	"	"	"	"	"	"	"	"	77	"	"	"	"	"	"	"	"	"	"
28	Fdy	1	"	"	"	"	Gv3	1	"	"	78	"	"	"	"	"	"	"	"	"	"
29	"	"	"	"	"	"	G3	1	Hv3	1	79	"	"	G2	1	"	"	"	"	Hv1	1
30	"	5	"	"	"	"	"	"	"	"	80	"	"	"	"	"	"	"	"	"	"
31	"	"	"	"	"	"	"	"	"	Hvf3	1	81	"	"	"	"	"	"	"	"	"
32	Fy	10	"	"	"	"	"	"	"	"	82	"	"	"	"	"	"	"	"	"	"
33	"	11	Gv3	1	"	"	"	"	"	"	83	"	"	"	"	"	"	"	"	"	"
34	"	"	G3	1	"	"	"	"	"	Hf3	1	84	"	"	"	"	"	"	"	"	"
35	"	"	"	"	"	"	Gfo2	2	Hv3	1	85	"	"	"	"	"	"	"	"	"	"
36	"	"	"	"	"	"	"	"	"	"	86	"	"	"	"	"	"	"	"	"	"
37	"	"	"	"	"	"	"	"	"	Hvf3	1	87	"	"	"	"	"	"	"	"	"
38	"	"	"	"	"	"	"	"	"	"	88	"	"	"	"	"	"	"	"	"	"
39	"	"	"	"	"	"	"	"	"	"	89	"	"	"	"	"	"	"	"	"	"
40	Fdy	8	"	"	"	"	"	"	"	"	90	"	"	"	"	"	"	"	"	"	"
41	"	"	"	"	"	"	"	"	"	"	91	"	"	"	"	"	"	"	"	"	"
42	"	"	Gv3	1	"	"	"	"	"	"	92	"	"	"	"	"	"	"	"	"	"
43	"	"	G3	1	"	"	"	"	"	Hf3	1	93	"	"	"	"	"	"	"	"	"
44	"	"	"	"	"	"	"	"	"	Hvf3	1	94	"	"	"	"	"	"	"	"	"
45	"	"	"	"	"	"	G3	1	Hf3	1	95	"	"	"	"	"	Gfo2	3	"	"	"
46	"	"	"	"	"	"	"	"	"	Hvf3	1	96	"	"	"	"	"	"	"	"	"
47	"	"	"	"	"	"	"	"	"	"	97	"	"	"	"	"	"	"	"	"	"
48	"	"	"	"	"	"	"	"	"	"	98	"	"	"	"	"	"	"	"	"	Hv1
49	"	"	"	"	"	"	"	"	"	H3	1	99	"	"	"	"	"	"	"	"	1

^ySe illustreret fortegnelse over personvagner.

3500-

Oversikt

Nr.	3500		3600		3700		3800		3900		Nr.	3500		3600		3700		3800		3900		
	Litra	Type	Litra	Type	Litra	Type	Litra	Type	Litra	Type		Litra	Type	Litra	Type	Litra	Type	Litra	Type	Litra	Type	
00	Hv1	1	G3	1			L3	2	N2	2	50	Hvf3	1	N2	2			N2	2	N1	2	
01	"	"	K1	2	L3	2	M1	1	N1	2	51	Fd ^y	1	"	"					N1	2	
02	"	"	"	"	"	"	"	"	N2	2	52	"	"	"	"					N1	2	
03	"	"	"	"	"	"	"	"	N1	1	53	"	"	"	"					N2	3	
04	"	"	"	"	"	"	M1	1	N2	2	54	F ^y	6	"	"					"	"	
05	"	"	K1	2	"	"	"	"	N1	2	55	"	"	"	"					N1	2	
06	"	"	"	"	"	"	M1	1	"	"	56	Fd ^y	2	"	"					"	"	
07	"	"	"	"	"	"	"	"	"	"	57	"	"	"	"					N1	2	
08	"	"	"	"	"	"	"	"	N2	2	58	"	"	"	"	L1	1			"	"	
09	Hv1	1	K1	2	"	"	M1	1	N1	2	59	"	"	"	"					N2	2	
10	"	"	"	"	"	"	"	"	N2	2	60	F ^y	4	"	"					N2	2	
11	"	"	K1	2	"	"	"	"	"	"	61	"	"	L3	2					"	"	
12	"	"	"	"	"	"	"	"	N1	2	62	"	"	"	"					N1	2	
13	"	"	"	"	"	"	"	"	"	"	63	"	"	"	"	Lk1	1			"	"	
14	"	"	"	"	"	"	"	"	"	"	64	"	"	"	"	"	"			"	"	
15	"	"	"	"	"	"	"	"	N1	1	65	"	"	"	"	"	"			M1	1	
16	Hv1	1	K1	2	"	"	MF1	1	"	"	66	"	"	"	"	"	"			N1	2	
17	"	"	"	"	"	"	M1	1	N2	3	67	"	"	"	"	"	"			N1	1	
18	"	"	"	"	"	"	"	"	N2	2	68	"	"	"	"	"	"			N1	2	
19	"	"	"	"	"	"	"	"	N1	2	69	"	"	"	"	Lk1	1			"	"	
20	"	"	K1	2	"	"	"	"	"	"	70	"	"	"	"	"	"			"	"	
21	"	"	"	"	"	"	"	"	"	"	71	"	"	Lt2	1					N1	2	
22	"	"	"	"	"	"	N2	2	"	"	72	"	"	"	"					"	"	
23	"	"	K1	2	"	"	"	"	"	"	73	"	"	"	"	L3	3			"	"	
24	Hv1	1	"	"	"	"	"	"	N1	1	74	"	"	"	"	"	"			"	"	
25	"	"	"	"	"	"	"	"	"	"	75	"	"	L3	2	"	"			"	"	
26	"	"	"	"	"	"	"	"	N2	2	76	"	"	"	"	"	"			N1	2	
27	"	"	K1	2	"	"	"	"	N1	2	77	"	"	"	"	"	"			"	"	
28	"	"	"	"	"	"	"	"	"	"	78	"	"	"	"	"	"			"	"	
29	"	"	K1	2	"	"	"	"	"	"	79	G3	1	"	"	"	"			N1	1	
30	"	"	"	"	"	"	"	"	N1	2	80	"	"	"	"	"	"			N2	2	
31	"	"	K1	2	"	"	"	"	"	"	81	"	"	"	"	"	"			N1	2	
32	"	"	"	"	"	"	"	"	"	"	82	"	"	"	"	"	"			N2	2	
33	Hv2	1	N2	2	"	"	"	"	N1	2	83	"	"	"	"	L3	2			N1	2	
34	Hvf3	1	"	"	Lk1	1	"	"	"	"	84	"	"	"	"	"	"			"	"	
35	"	"	"	"	"	"	"	"	"	"	85	"	"	"	"	"	"			"	"	
36	HF3	1	"	"	"	"	"	"	"	"	86	"	"	"	"	"	"			"	"	
37	Hvf3	1	"	"	"	"	"	"	N2	3	87	"	"	"	"	"	"			"	"	
38	HF3	1	"	"	"	"	"	"	"	"	88	"	"	"	"	"	"			"	"	
39	Hvf3	1	"	"	"	"	"	"	N1	2	89	"	"	"	"	"	L3	3			"	"
40	H3	1	"	"	"	"	"	"	N2	3	90	"	"	"	"	"	"			N1	2	
41	Hvf3	1	"	"	"	"	"	"	N1	2	91	"	"	Lk1	1	L3	2	N2	2	"	"	
42	HF3	1	"	"	"	"	"	"	"	"	92	"	"	"	"	"	"			"	"	
43	Hvf3	1	"	"	"	"	"	"	N2	2	93	"	"	"	"	"	"			"	"	
44	"	"	"	"	"	"	"	"	"	"	94	"	"	"	"	"	"			"	"	
45	HF3	1	"	"	L1	1	"	"	"	"	95	"	"	"	"	"	"			"	"	
46	Hvf3	1	N2	2	L3	2	"	"	N1	2	96	"	"	"	"	"	"			"	"	
47	"	"	"	"	"	"	"	"	"	"	97	"	"	"	"	"	"			"	"	
48	HF3	1	"	"	"	"	"	"	N2	2	98	"	"	"	"	"	"			N1	2	
49	H3	1	"	"	"	"	"	"	"	"	99	"	"	"	"	"	"			N2	2	

^ySe illustreret fortegnelse over personvogner

4500-

Oversikt

Nr.	4500		4600		4700		4800		4900		Nr.	4500		4600		4700		4800		4900	
	Litra	Type	Litra	Type	Litra	Type	Litra	Type	Litra	Type		Litra	Type	Litra	Type	Litra	Type	Litra	Type	Litra	Type
00							T4	1	T13	1	50					T4	1	T3	1	To4	1
01					T4	1	T3	1	"	"	51					"	"	"	"	Q2	1
02					"	"	"	"	"	"	52					"	"	"	"	"	"
03					"	"	"	"	"	"	53					"	"	"	"	"	"
04					"	"	"	"	"	"	54					"	"	"	"	"	"
05					"	"	"	"	"	"	55					"	"	"	"	"	"
06					"	"	"	"	T1F3	1	56					"	"	"	"	QF3	1
07					"	"	"	"	"	"	57					"	"	"	"	"	"
08					"	"	"	"	"	"	58					"	"	"	"	"	"
09	S1	1			"	"	"	"	"	"	59					"	"	"	"	Z1	1
10	"	"			"	"	"	"	"	"	60					"	"	"	"	"	"
11	"	"			"	"	"	"	"	"	61					"	"	"	"	Z1	3
12	"	"			"	"	"	"	"	"	62					"	"	"	"	"	"
13	"	"			"	"	"	"	"	"	63					"	"	"	"	"	"
14	"	"			"	"	"	"	"	"	64					"	"	"	"	"	"
15	Sf1	2			"	"	"	"	"	"	65					"	"	"	"	"	"
16	"	"			"	"	"	"	"	"	66					"	"	"	"	"	"
17	Sf3	1			"	"	"	"	"	"	67					"	"	"	"	"	"
18	"	"			"	"	"	"	"	"	68					"	"	"	"	"	"
19	"	"			"	"	"	"	"	"	69					"	"	"	"	"	"
20	"	"			"	"	"	"	"	"	70					"	"	"	"	"	"
21	"	"			"	"	"	"	"	"	71					"	"	"	"	"	"
22	"	"			"	"	"	"	"	"	72					"	"	"	"	"	"
23	"	"			"	"	"	"	"	"	73					"	"	"	"	"	"
24	"	"			"	"	"	"	"	"	74					"	"	"	"	"	"
25	"	"			"	"	"	"	"	"	75					"	"	"	"	"	"
26	"	"			"	"	"	"	T1o3	1	76					"	"	"	"	"	"
27	"	"			"	"	"	"	T1fo3	1	77					"	"	"	"	"	"
28	"	"			"	"	"	"	"	"	78					"	"	"	"	"	"
29	"	"			"	"	"	"	"	"	79					"	"	"	"	"	"
30	"	"			"	"	"	"	"	"	80					"	"	"	"	"	"
31	"	"			"	"	"	"	"	"	81					"	"	"	"	"	"
32	"	"			"	"	"	"	"	"	82					"	"	"	"	"	"
33	"	"			"	"	"	"	"	"	83					"	"	"	"	"	"
34	"	"			"	"	"	"	"	"	84					"	"	"	"	"	"
35	"	"			"	"	"	"	"	"	85					"	"	"	"	"	"
36	"	"			"	"	"	"	To4	1	86					"	"	"	"	"	"
37	"	"			"	"	"	"	"	"	87					"	"	"	"	"	"
38	"	"			"	"	"	"	"	"	88					"	"	"	"	"	"
39	"	"			"	"	"	"	"	"	89					"	"	"	"	"	"
40					"	"	"	"	"	"	90					"	"	"	"	"	"
41					"	"	"	"	"	"	91					"	"	T13	1	"	"
42					"	"	"	"	"	"	92					"	"	"	"	"	"
43					"	"	"	"	"	"	93					"	"	"	"	"	"
44					"	"	"	"	"	"	94					"	"	"	"	"	"
45					"	"	"	"	"	"	95					"	"	"	"	"	"
46					"	"	"	"	"	"	96					"	"	"	"	"	"
47					"	"	"	"	"	"	97					"	"	"	"	"	"
48					"	"	"	"	"	"	98					"	"	"	"	"	"
49					"	"	"	"	"	"	99					"	"	"	"	"	"

Nr.	5000		5100		5200		5300		5400		Nr.	5000		5100		5200		5300		5400	
	Litra	Type	Litra	Type	Litra	Type	Litra	Type	Litra	Type		Litra	Type	Litra	Type	Litra	Type	Litra	Type	Litra	Type
00			Gf3	3			N1	1	Tl3	1	50			6fo2	2			N2	2	G3	1
01							"	"	K2	1	51			"	"			"	"	"	"
02	F [↓]	1					N2	3	"	"	52			"	"			"	"	"	"
03							"	"	"	"	53			"	"			"	"	"	"
04	F [↓]	1					"	"	"	"	54			"	"			"	"	"	"
05	"	"					N2	1	Tsfo3	1	55							"	"	"	"
06	"	"					"	"	"	"	56							"	"	"	"
07	Fd [↓]	1					"	"	L3	2	57							"	"	"	"
08	"	"					"	"	"	"	58							"	"	"	"
09	"	4					"	"	"	"	59							"	"	"	"
10	"	5					"	"	"	"	60							"	"	"	"
11	"	"					"	"	"	"	61			Lk1	1			"	"	"	"
12	"	"	L1	2			"	"	"	"	62			"	"			"	"	"	"
13	"	"	"	"			"	"	"	"	63			"	"			"	"	"	"
14	"	"	"	"			"	"	"	"	64			"	"			"	"	"	"
15	"	"	"	"			"	"	"	"	65			"	"	N1	1	"	"	"	"
16	F [↓]	10					"	"	"	"	66	G1	1	"	"	"	"	"	"	"	"
17	Fo [↓]	1	L1	2			N2	1	"	"	67			"	"	"	"	"	"	Tl3	1
18	Fdo [↓]	1	"	"			"	"	"	"	68			"	"	"	"	"	"	"	"
19	"	"	"	"			"	"	"	"	69			"	"	"	"	Tl3	1	"	"
20	Fd [↓]	7					"	"	"	"	70			"	"	"	"	"	"	"	"
21	"	"	L1	2			"	"	"	"	71	G1	1	"	"	"	"	"	"	"	"
22	"	"	"	"	N1	1	N2	1	"	"	72			"	"	"	"	"	"	"	"
23	F [↓]	11	"	"			"	"	"	"	73			"	"	N2	3	"	"	"	"
24	"	"	"	"			"	"	"	"	74	G2	1	"	"	N1	1	"	"	"	"
25	"	"	"	"			N2	2	"	"	75	"	"	"	"	N2	3	"	"	"	"
26	"	"	"	"			"	"	"	"	76	"	"	"	"	"	"	"	"	"	"
27	"	"	"	"			"	"	"	"	77	"	"	"	"	N1	1	"	"	"	"
28	"	"	"	"			"	"	"	"	78	"	"	"	"	"	"	"	"	"	"
29	"	"	"	"			"	"	"	"	79	"	"	"	"	N2	3	"	"	"	"
30							"	"	"	"	80	"	"	"	"	N1	1	"	"	"	"
31			L3	2			"	"	"	"	81	"	"	"	"	"	"	"	"	"	"
32			"	"			"	"	"	"	82	"	"	"	"	N2	3	"	"	"	"
33			"	"			"	"	"	"	83	"	"	"	"	N1	1	"	"	"	"
34			"	"			"	"	"	"	84	"	"	"	"	"	"	Tl3	1	"	"
35			"	"			"	"	"	"	85	"	"	"	"	N1	1	"	"	"	"
36			"	"			"	"	"	"	86	"	"	"	"	N2	3	"	"	"	"
37			"	"			"	"	G3	1	87	"	"	"	"	N1	1	"	"	"	"
38			"	"			"	"	"	"	88	"	"	"	"	"	"	"	"	"	"
39			"	"			"	"	"	"	89	"	"	"	"	N2	3	Tl3	1	"	"
40			"	"			"	"	"	"	90	"	"	"	"	"	"	"	"	MF2	1
41			"	"			"	"	"	"	91	"	"	"	"	N2	3	"	"	"	"
42			"	"			"	"	"	"	92	"	"	"	"	"	"	"	"	"	"
43			"	"			"	"	"	"	93	"	"	"	"	"	"	"	"	"	"
44			"	"			"	"	"	"	94	Gf3	3	"	"	N1	1	"	"	"	"
45			"	"			"	"	"	"	95	"	"	"	"	"	"	"	"	"	"
46			"	"			"	"	"	"	96	"	"	"	"	N2	3	"	"	"	"
47			"	"			"	"	"	"	97	"	"	"	"	"	"	"	"	"	"
48			"	"			"	"	"	"	98	"	"	"	"	N1	1	"	"	"	"
49			Gfo2	2			"	"	"	"	99	"	"	"	"	"	"	"	"	"	"

Se illustreret fortegnelse over personvognen.

Oversikt

5500-

Nr.	5500		5600		5700		5800		5900		Nr.	5500		5600		5700		5800		5900	
	Litra	Type	Litra	Type	Litra	Type	Litra	Type	Litra	Type		Litra	Type	Litra	Type	Litra	Type	Litra	Type	Litra	Type
00	Mf2	1	Hf3	1							50	H3	1	G3	1	N2	2				
01			N2	2	Gfo2	2					51	Hf3	1	"	"	Tl3	1				
02			"	"	"	"					52	H3	1	"	"	"	"				
03	Hv1	1	"	"	"	"					53	Hf3	1	"	"	"	"				
04	"	"	"	"	"	"					54	"	"	"	"	"	"				
05	"	"	"	"	"	"					55	"	"	"	"	"	"				
06			"	"	"	"					56	H3	1	"	"	"	"				
07			"	"	"	"					57	"	"	"	"	"	"				
08	Hv1	1	"	"	"	"					58	Hf3	1	"	"	"	"				
09			"	"	"	"					59	"	"	"	"	"	"				
10			"	"	"	"					60	H3	1	"	"	"	"				
11	Hv1	1	"	"	"	"					61	Hf3	1	"	"	"	"				
12	"	"	"	"	"	"					62	"	"	"	"	"	"				
13	"	"	"	"	"	"					63	"	"	"	"	"	"				
14	"	"	"	"	"	"					64	"	"	"	"	"	"				
15			"	"	"	"					65	"	"	"	"	"	"				
16	Hv1	1	"	"	N2	2					66	"	"	Gf3	3						
17	"	"	"	"	"	"					67	"	"	"	"	"	"				
18	"	"	"	"	"	"					68	"	"	"	"	"	"				
19			"	"	"	"					69	H3	1	"	"	"	"				
20	Hv1	1	"	"	"	"					70	Hf3	1	"	"	"	"				
21	"	"	L3	2	"	"					71	"	"	"	"	"	"				
22	"	"	"	"	"	"					72	H3	1	"	"	"	"				
23	"	"	"	"	"	"					73	Hf3	1	"	"	"	"				
24	"	"	"	"	"	"					74	"	"	"	"	"	"				
25	"	"	"	"	"	"					75	"	"	"	"	"	"				
26	"	"	"	"	"	"					76	"	"	"	"	"	"				
27	"	"	"	"	"	"					77	"	"	"	"	"	"				
28	Hf3	1	"	"	"	"					78	"	"	Fo [↓]	1						
29	H3	1	"	"	"	"					79	"	"	"	"	"	"				
30	Hf3	1	"	"	"	"					80	"	"	Fdo [↓]	1						
31	H3	1	"	"	"	"					81	"	"	"	"	"	"				
32	Hf3	1	"	"	"	"					82	"	"	"	"	"	"				
33	"	"	Hvf3	1	"	"					83	"	"	"	"	"	"				
34	"	"	Fd [↓]	5	"	"					84	"	"	"	"	"	"				
35	"	"	"	"	"	"					85	"	"	"	"	"	"				
36	H3	1	G3	1	"	"					86	"	"	"	"	"	"				
37	Hf3	1	"	"	"	"					87	"	"	"	"	"	"				
38	H3	1	"	"	"	"					88	"	"	"	"	"	"				
39	Hf3	1	"	"	"	"					89	"	"	"	"	"	"				
40	H3	1	"	"	"	"					90	"	"	"	"	"	"				
41	Hf3	1	"	"	"	"					91	H3	1	"	"	"	"				
42	"	"	"	"	"	"					92	Hf3	1	"	"	"	"				
43	"	"	"	"	"	"					93	"	"	"	"	"	"				
44	"	"	"	"	"	"					94	"	"	"	"	"	"				
45	"	"	"	"	"	"					95	"	"	"	"	"	"				
46	"	"	"	"	"	"					96	"	"	"	"	"	"				
47	H3	1	"	"	"	"					97	"	"	"	"	"	"				
48	Hf3	1	"	"	"	"					98	H3	1	"	"	"	"				
49	H3	1	"	"	"	"					99	Hf3	1	"	"	"	"				

²⁾ Se illustreret fortegnelse over personvogner.

Nr.	6000		6100		6200		6300		6400		Nr.	6000		6100		6200		6300		6400	
	Litra	Type	Litra	Type	Litra	Type	Litra	Type	Litra	Type		Litra	Type	Litra	Type	Litra	Type	Litra	Type	Litra	Type
00			G 3	1					N 1	1	50					Tl 3	1	N 1	1	N 2	1
01	Fd ³	2	"	"	Gfo 2	1			"	"	51					Gf 2	1	"	"	"	"
02	"	"	"	"	"	"	N 1	1	"	"	52					"	"	"	"	"	"
03	"	"	"	"			"	"	"	"	53	6 2	1					N 1	1		
04	"	"	"	"	Gfo 2	1			"	"	54	"	"			Gf 2	1	"	"	N 2	1
05	F ³	6	"	"	"	"	N 2	3	"	"	55	"	"			"	"	"	"	"	"
06	"	"	"	"	"	"	N 1	1	"	"	56	"	"			"	"	"	"	"	"
07	"	"	"	"	"	"	"	"	"	"	57	"	"			"	"	"	"	"	"
08	Fd ³	4	"	"	"	"	"	"	"	"	58	"	"			"	"	N 1	1	"	"
09	"	"	"	"	"	"	"	"	"	"	59	"	"			"	"	"	"	"	"
10	F ³	9	"	"			N 2	3	"	"	60	"	"			"	"	"	"	"	"
11	"	"	"	"	Tl 3	1	N 1	1	"	"	61	"	"			Gf 2	3	"	"	N 2	2
12	"	"	"	"	"	"	"	"	"	"	62	"	"			Gf 2	1	N 1	1	"	"
13	"	"	"	"	"	"	"	"	"	"	63	"	"			"	"	N 2	3	"	"
14	"	10	"	"	"	"	N 1	1	"	"	64	"	"			"	"	"	"	"	"
15	Fd ³	5	Gf 3	3	"	"	"	"	N 1	1	65	"	"			"	"	N 1	1	"	"
16	"	"	"	"	"	"	"	"	Nf 1	1	66	"	"			"	"	"	"	"	"
17	F ³	11	"	"	"	"	N 1	1	"	"	67	"	"			"	"	"	"	"	"
18	"	"	"	"	"	"	"	"	"	"	68	"	"			"	"	"	"	"	"
19	"	"	"	"	"	"	N 1	1	"	"	69	"	"			"	"	N 1	1	"	"
20	"	"	"	"	"	"	"	"	"	"	70	"	"			"	"	N 2	3	"	"
21	"	"	"	"	"	"	"	"	"	"	71	"	"			Gf 2	3	N 1	1	"	"
22	"	"	"	"	"	"	N 1	1	Nf 1	1	72	"	"			Gf 2	1	"	"	"	"
23	"	"	"	"	"	"	"	"	"	"	73	"	"			"	"	"	"	"	"
24	"	"	"	"	"	"	"	"	"	"	74	"	"			Gf 2	3	"	"	"	"
25	"	"	"	"	"	"	"	"	Nf 2	3	75	"	"			Gf 2	1	N 1	1	"	"
26	"	"	"	"	"	"	N 1	1	N 2	1	76	"	"			Gf 3	1	"	"	"	"
27	"	"	"	"	"	"	N 2	3	"	"	77	"	"			"	"	"	"	"	"
28	"	"	"	"	"	"	"	"	"	"	78	"	"			"	"	"	"	"	"
29	"	"	"	"	"	"	N 2	3	"	"	79	"	"			"	"	"	"	"	"
30	"	"	"	"	"	"	N 1	1	"	"	80	G 3	1			"	"	N 2	3	"	"
31	"	"	"	"	"	"	N 2	3	"	"	81	"	"			"	"	N 1	1	"	"
32	"	"	"	"	"	"	"	"	"	"	82	"	"			"	"	"	"	"	"
33	"	"	"	"	"	"	N 1	1	"	"	83	Gv 3	1			"	"	N 1	1	"	"
34	"	"	"	"	"	"	"	"	"	"	84	G 3	1			"	"	"	"	"	"
35	"	"	"	"	"	"	N 2	3	"	"	85	"	"			"	"	"	"	"	"
36	"	"	"	"	"	"	"	"	"	"	86	"	"			"	"	"	"	"	"
37	"	"	"	"	"	"	N 1	1	"	"	87	"	"			"	"	N 1	1	"	"
38	"	"	"	"	"	"	"	"	"	"	88	"	"			Gf 3	3	"	"	"	"
39	"	"	"	"	"	"	N 2	3	"	"	89	"	"			"	"	"	"	"	"
40	"	"	"	"	"	"	N 1	1	"	"	90	"	"			"	"	N 2	3	"	"
41	"	"	"	"	"	"	"	"	"	"	91	"	"			"	"	N 1	1	"	"
42	"	"	"	"	"	"	N 2	3	"	"	92	"	"			"	"	"	"	"	"
43	"	"	"	"	"	"	N 1	1	"	"	93	"	"			"	"	"	"	"	"
44	"	"	"	"	"	"	"	"	"	"	94	"	"			"	"	"	"	"	"
45	"	"	"	"	"	"	"	"	"	"	95	"	"			"	"	"	"	"	"
46	"	"	"	"	"	"	N 2	3	"	"	96	Gv 3	1			"	"	"	"	"	"
47	"	"	"	"	"	"	N 1	1	"	"	97	G 3	1			"	"	"	"	"	"
48	"	"	"	"	"	"	"	"	"	"	98	"	"			"	"	"	"	"	"
49	"	"	"	"	"	"	"	"	"	"	99	"	"			"	"	"	"	"	"

³Se illustreret fortegnelse over personvogner.

6500-

Oversikt

6999

Nr.	6500		6600		6700		6800		6900		Nr.	6500		6600		6700		6800		6900	
	Litra	Type	Litra	Type	Litra	Type	Litra	Type	Litra	Type		Litra	Type	Litra	Type	Litra	Type	Litra	Type	Litra	Type
00	N2	2	T3	1	N2	2	T13	1	TIF3	1	50	T3	1	T3	1	LS3	1	Nfo2	1	L3	2
01	"	"	"	"	Lg1	1			Hv2	1	51	"	"	"	"	"	"	Nfo1	1	"	"
02	"	"	"	"	"	"	MK1	1			52	"	"	"	"	L3	5	"	"	N2	2
03	"	"	"	"	"	"			Hvf3	1	53	"	"	"	"	LS3	1	"	"	"	"
04	"	"	"	"	"	"			"	"	54	"	"	"	"	"	"	"	"	"	"
05	"	"	"	"	Lg1	1	MK1	1	"	"	55	"	"	"	"	"	"	"	"	"	"
06	"	"	"	"	"	"			"	"	56	"	"	"	"	"	"	"	"	"	"
07	"	"	"	"	"	"			"	"	57	"	"	"	"	"	"	"	"	"	"
08	"	"	"	"	"	"			"	"	58	"	"	"	"	"	"	"	"	"	"
09	"	"	"	"	"	"			"	"	59	"	"	"	"	"	"	"	"	"	"
10	"	"	"	"	"	"			"	"	60	"	"	"	"	"	"	"	"	"	"
11	"	"	"	"	Lk3	1	MK1	1	"	"	61	"	"	N2	2	"	"	"	"	"	"
12	"	"	"	"	"	"			Hv3	1	62	"	"	"	"	L3	5	"	"	"	"
13	"	"	"	"	"	"	MK1	1	Hvf3	1	63	"	"	"	"	LS3	1	"	"	"	"
14	"	"	"	"	"	"	"	"	"	"	64	"	"	"	"	"	"	"	"	"	"
15	"	"	"	"	"	"	"	"	"	"	65	"	"	"	"	"	"	T13	1	"	"
16	"	"	"	"	L3	3	"	"	"	"	66	"	"	"	"	"	"	TIF3	1	"	"
17	"	"	"	"	"	"	"	"	"	"	67	"	"	"	"	"	"	T13	1	"	"
18	"	"	"	"	"	"	"	"	Hv3	1	68	"	"	"	"	"	"	"	"	"	"
19	"	"	"	"	"	"	"	"	Hvf3	1	69	"	"	"	"	"	"	"	"	"	"
20	"	"	"	"	"	"	"	"	Hv3	1	70	"	"	"	"	"	"	"	"	"	"
21	"	"	"	"	"	"	T13	1	S1	1	71	"	"	"	"	L3	2	"	"	"	"
22	"	"	"	"	"	"	"	"	"	"	72	"	"	"	"	"	"	TIF3	1	Hvf3	1
23	"	"	"	"	"	"	"	"	"	"	73	"	"	"	"	"	"	"	"	"	"
24	"	"	"	"	"	"	"	"	"	"	74	"	"	"	"	"	"	"	"	"	"
25	"	"	"	"	"	"	"	"	"	"	75	"	"	"	"	"	"	"	"	"	"
26	"	"	"	"	Lk3	1	TIF3	1	S1	1	76	"	"	"	"	"	"	T13	1	Hv3	1
27	"	"	"	"	"	"	"	"	"	"	77	"	"	"	"	"	"	"	"	Hvf3	1
28	"	"	"	"	"	"	"	"	"	"	78	"	"	"	"	"	"	"	"	Hv3	1
29	"	"	"	"	"	"	"	"	S1	1	79	"	"	"	"	"	"	TIF3	1	Sf3	1
30	"	"	T3	1	"	"	"	"	Sf1	2	80	"	"	"	"	"	"	T13	1	"	"
31	"	"	"	"	L1	2	"	"	"	"	81	"	"	"	"	T13	1	"	"	"	"
32	"	"	"	"	"	"	T13	1	L3	2	82	"	"	"	"	"	"	TIF3	1	"	"
33	"	"	"	"	L1	2	TIF3	1	"	"	83	"	"	"	"	"	"	T13	1	"	"
34	"	"	"	"	"	"	"	"	"	"	84	"	"	"	"	"	"	TIF3	1	"	"
35	"	"	"	"	"	"	T13	1	"	"	85	"	"	"	"	"	"	"	"	"	"
36	T3	1	T3	1	"	"	TIF3	1	"	"	86	"	"	"	"	"	"	T13	1	"	"
37	"	"	"	"	"	"	T13	1	"	"	87	"	"	"	"	"	"	TIF3	1	Ms3	2
38	"	"	"	"	"	"	"	"	"	"	88	"	"	"	"	"	"	T13	1	"	"
39	"	"	"	"	"	"	"	"	"	"	89	"	"	"	"	"	"	"	"	"	"
40	"	"	"	"	"	"	"	"	"	"	90	"	"	"	"	"	"	TIF3	1	"	"
41	"	"	"	"	L3	5	Nfo3	2	"	"	91	T3	1	"	"	"	"	"	"	Msf3	2
42	"	"	"	"	"	"	To3	1	"	"	92	"	"	"	"	"	"	"	"	"	"
43	"	"	"	"	"	"	"	"	"	"	93	"	"	"	"	"	"	T13	1	"	"
44	"	"	"	"	LS3	1	"	"	"	"	94	"	"	"	"	"	"	"	"	"	"
45	"	"	"	"	L3	5	"	"	"	"	95	"	"	"	"	"	"	TIF3	1	"	"
46	"	"	"	"	"	"	Nfo2	1	"	"	96	"	"	"	"	"	"	"	"	"	"
47	"	"	"	"	LS3	1	"	"	"	"	97	"	"	"	"	"	"	T13	1	T13	1
48	"	"	"	"	"	"	"	"	"	"	98	"	"	"	"	"	"	TIF3	1	TIF3	1
49	"	"	T3	1	"	"	"	"	"	"	99	"	"	"	"	"	"	T13	1	"	"

Nr.	7000		7100		7200		7300		7400		Nr.	7000		7100		7200		7300		7400		
	Litra	Type	Litra	Type	Litra	Type	Litra	Type	Litra	Type		Litra	Type	Litra	Type	Litra	Type	Litra	Type	Litra	Type	
00	T13	1									50											
01	F 3	2									51	G 1	2									
02											52											
03											53	G 1	2									
04	Fd 3	1									54									S 1	1	
05	"	4									55	G 1	2									
06	F 3	8									56	"	"									
07											57	"	"									
08											58											
09											59	G 1	2									
10											60	"	"									
11											61											
12											62	G 1	2									
13											63	"	"									
14											64	"	"									
15											65											
16											66	G 2	1									
17											67	"	"									
18											68	"	"									
19											69	"	"									
20											70	"	"									
21											71	"	"									
22											72	"	"									
23											73	"	"									
24											74	"	"									
25											75	"	"									
26											76	"	"									
27											77											
28											78											
29											79											
30											80											
31											81											
32											82											
33											83											
34											84											
35											85											
36											86											
37											87											
38											88											
39											89											
40											90											
41											91											
42											92											
43											93											
44											94											
45											95											
46											96											
47											97											
48											98											
49											99											

Nr.	8000		8100		8200		8300		8400		Nr.	8000		8100		8200		8300		8400	
	Litra	Type	Litra	Type	Litra	Type	Litra	Type	Litra	Type		Litra	Type	Litra	Type	Litra	Type	Litra	Type	Litra	Type
00			G 2	1	G 3	1	G 3	1	G 3	1	50			G 3	1	M 1	2	G 3	1	Hf 3	1
01	F 1	2	"	"	"	"	"	"	"	"	51	G 1	2	"	"	"	"	"	"	S 1	1
02	"	"	"	"	"	"	L 1	2	G 1	3	52	"	"	"	"	"	"	"	"	"	"
03	"	"	"	"	"	"	"	"	"	"	53	G 1	2	"	"	"	"	"	"	"	"
04	"	"	"	"	"	"	"	"	"	"	54	"	"	"	"	"	"	"	"	"	"
05	Fd 1	1	"	"	"	"	L 1	2	"	"	55	"	"	"	"	"	"	"	"	S 1	1
06	F 1	5	Gvf 2	1	"	"	"	"	"	"	56	G 1	2	"	"	"	"	"	"	"	"
07	"	"	"	"	"	"	"	"	"	"	57	"	"	"	"	"	"	"	"	"	"
08	"	"	"	"	"	"	"	"	"	"	58	"	"	"	"	"	"	"	"	"	"
09	"	"	Gf 2	1	"	"	"	"	"	"	59	"	"	"	"	"	"	"	"	Hf 3	1
10			"	"	"	"	"	"	"	"	60	"	"	"	"	"	"	"	"	"	"
11			"	"	MK 1	1	"	"	"	"	61	G 1	2	"	"	"	"	"	"	Hv 2	1
12			"	"	"	"	"	"	"	"	62	"	"	"	"	"	"	"	"	"	"
13			"	"	"	"	"	"	"	"	63	G 1	2	"	"	"	"	"	"	"	"
14			"	"	"	"	L 1	2	"	"	64	"	"	"	"	"	"	"	"	"	"
15			Gf 2	1	"	"	"	"	"	"	65	"	"	"	"	"	"	"	"	"	"
16			"	"	"	"	G 3	1	"	"	66	G 1	2	"	"	"	"	"	"	"	"
17			"	"	"	"	"	"	"	"	67	"	"	"	"	"	"	"	"	"	"
18			Gf 2	1	MK 1	1	"	"	"	"	68	"	"	"	"	"	"	"	"	Hv 1	1
19			"	"	"	"	"	"	"	"	69	"	"	"	"	"	"	"	"	"	"
20			"	"	MK 1	1	"	"	"	"	70	"	"	"	"	"	"	"	"	"	"
21			G 2	1	Ms 3	1	"	"	"	"	71	"	"	"	"	"	Sf 3	1	"	"	"
22			"	"	"	"	"	"	G 3	1	72	"	"	"	"	"	"	"	"	"	"
23			"	"	"	"	"	"	"	"	73	"	"	"	"	"	"	"	"	"	"
24			"	"	Msf 3	1	"	"	"	"	74	G 1	2	"	"	"	"	"	"	"	"
25			"	"	Ms 3	1	"	"	"	"	75	"	"	"	"	"	"	"	"	Hv 1	1
26			"	"	"	"	"	"	"	"	76	"	"	"	"	"	"	"	"	"	"
27			"	"	"	"	"	"	"	"	77	"	"	"	"	"	G 3	1	"	"	"
28			"	"	"	"	"	"	"	"	78	"	"	"	"	"	"	"	"	"	"
29			"	"	"	"	"	"	"	"	79	G 1	2	"	"	"	"	"	"	Hv 1	1
30			"	"	"	"	"	"	"	"	80	"	"	"	"	"	"	"	"	"	"
31			"	"	"	"	"	"	Hvf 3	1	81	"	"	"	"	"	"	"	"	"	"
32			"	"	"	"	"	"	"	"	82	"	"	"	"	"	"	"	"	"	"
33			"	"	Msf 3	1	"	"	"	"	83	"	"	"	Mf 1	2	"	"	"	"	"
34			"	"	"	"	"	"	"	"	84	"	"	"	"	"	"	"	"	Hv 1	1
35			"	"	Ms 3	1	"	"	"	"	85	"	"	"	"	"	"	"	"	"	"
36			"	"	"	"	"	"	"	"	86	G 2	1	"	"	"	"	"	"	Hv 1	1
37			"	"	"	"	"	"	"	"	87	"	"	"	"	"	"	"	"	"	"
38			"	"	Msf 3	1	"	"	Hv 3	1	88	"	"	"	"	"	"	"	"	"	"
39			Gf 2	1	"	"	"	"	Hvf 3	1	89	"	"	"	"	"	"	"	"	"	"
40			"	"	"	"	"	"	"	"	90	"	"	"	G 3	1	"	"	"	Hf 3	1
41			"	"	"	"	"	"	Sf 1	2	91	"	"	"	"	"	"	"	"	Hvf 3	1
42			"	"	M 1	2	"	"	"	"	92	"	"	"	"	"	"	"	"	"	"
43			"	"	"	"	"	"	"	"	93	G 2	1	"	"	"	"	"	"	"	"
44			"	"	"	"	"	"	Hf 3	1	94	"	"	"	"	"	"	"	"	"	"
45			"	"	"	"	"	"	"	"	95	"	"	"	"	"	"	"	"	"	"
46			"	"	"	"	"	"	"	"	96	"	"	"	"	"	"	"	"	"	"
47			"	"	"	"	"	"	"	"	97	G 2	1	"	"	"	"	"	"	Hv 3	1
48			"	"	"	"	"	"	"	"	98	"	"	"	"	"	"	"	"	Hvf 3	1
49			G 3	1	"	"	"	"	"	"	99	G 2	1	"	"	"	"	"	"	"	"

*) Se illustreret fortegnelse over personvognen.

8500-

Oversikt

8999

Nr.	8500		8600		8700		8800		8900		Nr.	8500		8600		8700		8800		8900	
	Litra	Type	Litra	Type	Litra	Type	Litra	Type	Litra	Type		Litra	Type	Litra	Type	Litra	Type	Litra	Type	Litra	Type
00	Hvf3	1			Hv1	1					50	N2	3	N2	2						
01	N2	3	N2	3							51	N1	1	N1	1						
02	"	"									52	"	"	"	"						
03			N1	1							53			"	"						
04	N2	3	"	"							54			N2	3						
05	N1	1	N2	3							55			N1	1						
06	N2	3	"	"							56	N1	1	"	"						
07	N1	1	"	"							57	"	"	N2	3						
08	N2	3	"	"							58	N2	3	N1	1						
09			N1	1							59	N1	1	"	"						
10	N2	3	N2	3							60	N2	3	N2	3						
11	N1	1	"	"							61			N1	1						
12	"	"	N1	1							62	N2	3	"	"						
13	"	"	"	"							63			"	"						
14	"	"	"	"							64	N1	1	"	"						
15			N2	3							65			"	"						
16	N2	3	"	"							66	N2	3	"	"						
17	"	"	"	"							67	"	"	"	"						
18			"	"							68	"	"	"	"						
19	N2	3	N1	1							69	"	"	"	"						
20	"	"	"	"							70			"	"						
21	"	"	"	"							71	N1	1	N2	2						
22	N1	1	"	"							72	N2	3	"	"						
23			"	"							73			"	"						
24			"	"							74	N2	3	"	"						
25			N2	3							75			"	"						
26			N2	2							76	N2	3	"	"						
27	N2	3	"	"							77	N1	1	"	"						
28	"	"	"	"							78	N2	3	"	"						
29	"	"	"	"							79	"	"	"	"						
30	"	"	"	"							80			"	"						
31	N1	1	"	"							81			Hvf4	1						
32	N2	3	"	"							82			"	"						
33	"	"	"	"							83			"	"						
34	"	"	"	"							84	N1	1	"	"						
35			"	"							85	N2	3	"	"						
36	N1	1	"	"							86	"	"	"	"						
37	N2	3	"	"							87	"	"	"	"						
38	N1	1	"	"							88	"	"	"	"						
39	N2	3	"	"							89	N1	1	"	"						
40			"	"							90	N2	3	"	"						
41			"	"							91	"	"	"	"						
42	N2	3	"	"							92			"	"						
43			"	"							93	N1	1	"	"						
44	N1	1	"	"							94	"	"	"	"						
45			"	"							95	N2	3	"	"						
46	N2	3	"	"							96	N1	1	"	"						
47			"	"							97	"	"	"	"						
48			"	"							98	N2	3	"	"						
49	N2	3	"	"							99	"	"	"	"						

Nr.	9000		9100		9200		9300		9400		Nr.	9000		9100		9200		9300		9400	
	Litra	Type	Litra	Type	Litra	Type	Litra	Type	Litra	Type		Litra	Type	Litra	Type	Litra	Type	Litra	Type	Litra	Type
00											50										
01	Fd ¹	2									51						Gv 2	1			
02	"	"									52						Sf 3	2			
03	"	"									53						"	"			
04	F ¹	6									54										
05	"	"									55										
06	"	"									56										
07	"	"									57										
08											58										
09											59										
10											60										
11											61										
12											62										
13											63										
14											64										
15											65										
16											66										
17											67										
18											68										
19											69										
20											70										
21											71										
22											72										
23											73										
24											74										
25											75										
26											76										
27											77										
28											78										
29											79										
30					6 2	1					80										
31					"	"					81										
32					"	"					82										
33					"	"					83										
34					"	"					84										
35					"	"					85										
36					"	"					86										
37					"	"					87										
38					6 2	1					88										
39											89										
40					6 2	1					90										
41					"	"					91										
42					"	"					92										
43					"	"					93										
44					"	"					94										
45					"	"					95										
46					"	"					96										
47					"	"					97										
48					"	"					98										
49					"	"					99										

*) Se illustreret fortegnelse over personvagnar.

10500 -

Oversikt

10999

Nr.	10500		10600		10700		10800		10900		Nr.	10500		10600		10700		10800		10900	
	Litra	Type	Litra	Type	Litra	Type	Litra	Type	Litra	Type		Litra	Type	Litra	Type	Litra	Type	Litra	Type	Litra	Type
00	T13	1	TIF3	1	T13	1			N2	1	50	TIF3	1	L3	2			N1	2	TIF3	1
01	NP2	7					N1	1	"	"	51	L4	1	Lk3	1			N2	1	"	"
02	"	"							"	"	52	"	"	"	"			"	"	"	"
03	"	"					N1	1	"	"	53	"	"	"	"			"	"	T13	1
04	"	"					N2	3	"	"	54	"	"	"	"			"	"	TIF3	1
05	"	"					N1	1	"	"	55	"	"	"	"			"	"	"	"
06	"	"							"	"	56	"	"	T13	1			"	"	"	"
07	"	"					N2	3	"	"	57	"	"	"	"			"	"	T13	1
08	"	"							"	"	58	"	"	"	"			"	"	TIF3	1
09	"	"					N1	1	"	"	59	"	"	"	"			"	"	"	"
10	"	"					"	"	"	"	60	"	"	"	"			N2	1	"	"
11	"	"					N2	3	"	"	61	"	"	"	"			"	"	"	"
12	"	"					"	"	"	"	62	"	"	"	"			"	"	T13	1
13	"	"					N1	1	"	"	63	"	"	"	"			"	"	TIF3	1
14	"	"					N2	3	T13	1	64	"	"	"	"			"	"	T13	1
15	"	"					"	"	"	"	65	"	"	"	"			"	"	TIF3	1
16	"	"					N1	1	"	"	66	"	"	"	"			"	"	"	"
17	"	"					"	"	"	"	67	"	"	"	"			"	"	T13	1
18	"	"					"	"	"	"	68	"	"	"	"			"	"	TIF3	1
19	"	"					N1	1	"	"	69	"	"	"	"			"	"	"	"
20	"	"					"	"	"	"	70	"	"	"	"			"	"	"	"
21	"	"	Lg1	1			N2	3	"	"	71	L3	2	"	"			"	"	"	"
22	"	"	"	"			N1	1	"	"	72	"	"	"	"			"	"	"	"
23	"	"	"	"			N2	3	"	"	73	"	"	"	"			"	"	"	"
24	"	"	"	"			N1	1	"	"	74	"	"	"	"			"	"	"	"
25	"	"	"	"			"	"	"	"	75	"	"	"	"			"	"	T13	1
26	T13	1	L1	2					"	"	76	"	"	"	"			"	"	"	"
27	"	"	"	"			N1	2	TIF3	1	77	"	"	"	"			"	"	"	"
28	"	"	"	"					T13	1	78	"	"	"	"			"	"	"	"
29	"	"	"	"					"	"	79	"	"	"	"			"	"	"	"
30	"	"	"	"			N1	2	TIF3	1	80	"	"	"	"			"	"	"	"
31	TIF3	1	"	"			"	"	T13	1	81	"	"	"	"			Nf2	1	"	"
32	"	"	"	"			"	"	"	"	82	"	"	"	"			"	"	T13	1
33	"	"	"	"			"	"	"	"	83	"	"	"	"			"	"	"	"
34	"	"	"	"			"	"	Tsfo3	1	84	"	"	"	"			"	"	"	"
35	"	"	"	"			"	"	Nfo2	1	85	"	"	"	"			"	"	"	"
36	"	"	Lk1	1			"	"	"	"	86	"	"	"	"			"	"	"	"
37	"	"	"	"			N1	2	"	"	87	"	"	"	"			"	"	"	"
38	"	"	"	"			N2	3	"	"	88	"	"	"	"			"	"	"	"
39	"	"	"	"			N1	2	"	"	89	"	"	"	"			N2	1	"	"
40	"	"	"	"	N1	1	N2	3	T13	1	90	"	"	"	"			"	"	"	"
41	"	"	L3	2			N1	2	TIF3	1	91	TIF3	1	"	"			"	"	"	"
42	"	"	"	"			"	"	"	"	92	"	"	"	"			"	"	"	"
43	"	"	"	"			"	"	"	"	93	"	"	"	"			"	"	"	"
44	"	"	"	"			"	"	"	"	94	"	"	"	"			"	"	"	"
45	"	"	"	"			"	"	"	"	95	"	"	"	"			"	"	"	"
46	"	"	"	"			"	"	"	"	96	"	"	"	"			"	"	N1	1
47	"	"	"	"			"	"	T13	1	97	"	"	"	"			"	"	"	"
48	"	"	"	"			"	"	TIF3	1	98	"	"	"	"			"	"	"	"
49	"	"	"	"			"	"	"	"	99	"	"	"	"			"	"	N2	3

Nr	11000		11100		11200		11300		11400		Nr	11000		11100		11200		11300		11400		
	Litra	Type	Litra	Type	Litra	Type	Litra	Type	Litra	Type		Litra	Type	Litra	Type	Litra	Type	Litra	Type	Litra	Type	
00	N1	1			LF4	1			LF4	1	50										Lg 1	1
01			GF2	4							51		L4	1							"	"
02			"	"							52		"	"							"	"
03			"	"							53		"	"							"	"
04			"	"							54		"	"							"	"
05			Gvf2	1							55		"	"							"	"
06			GF2	4							56		"	"							"	"
07											57		"	"							"	"
08											58		"	"							"	"
09											59		"	"							"	"
10											60		"	"								
11											61		"	"								
12											62		"	"							Lg 1	1
13											63		"	"							Lg 2	1
14											64		"	"							"	"
15											65		"	"							"	"
16											66		"	"							"	"
17											67		"	"							"	"
18											68		"	"							"	"
19											69		"	"							"	"
20											70		"	"							"	"
21									Lg 1	1	71		"	"							"	"
22									"	"	72		"	"							"	"
23									"	"	73		"	"							"	"
24									"	"	74		"	"							"	"
25											75		"	"							"	"
26									Lg 1	1	76		"	"							"	"
27									"	"	77		"	"							"	"
28									"	"	78		"	"							"	"
29									"	"	79		"	"							"	"
30									"	"	80		"	"							"	"
31									"	"	81		"	"				LF4	1		"	"
32									"	"	82		"	"				"	"		"	"
33									"	"	83		"	"				"	"		"	"
34									"	"	84		"	"				L4	2		"	"
35									"	"	85		"	"				LF4	1		"	"
36									"	"	86		"	"				"	"		"	"
37									"	"	87		"	"				"	"		"	"
38									"	"	88		"	"				"	"		"	"
39									"	"	89		"	"				L4	2		"	"
40									"	"	90		"	"				LF4	1		"	"
41									"	"	91		LF4	1				"	"		"	"
42									"	"	92		L4	2				"	"		"	"
43									Lg 1	1	93		LF4	1				"	"		"	"
44									"	"	94		"	"				"	"		"	"
45									"	"	95		"	"				"	"		"	"
46									"	"	96		"	"				"	"		"	"
47									"	"	97		"	"				"	"		"	"
48									"	"	98		"	"				"	"		"	"
49									Lg 1	1	99		"	"				"	"		"	"

Nr.	12000		12100		12200		12300		12400		Nr.	12000		12100		12200		12300		12400	
	Litra	Type	Litra	Type	Litra	Type	Litra	Type	Litra	Type		Litra	Type	Litra	Type	Litra	Type	Litra	Type	Litra	Type
00											50										
01			Fd	2					MK1	1	51			Gf2	1						
02			"	"					"	"	52			"	"						
03			"	"					"	"	53			"	"						
04			"	"					"	"	54			Gf2	1						
05									"	"	55			"	"						
06									"	"	56			"	"						
07									"	"	57			"	"						
08									MK1	1	58			"	"						
09									"	"	59			"	"						
10									"	"	60			"	"						
11											61			G2	1						
12											62			"	"						
13											63			"	"						
14											64			"	"						
15											65			"	"						
16											66			"	"						
17											67			"	"						
18											68			"	"						
19											69			"	"						
20											70			"	"						
21											71			G3	"						
22											72			"	"						
23											73			"	"						
24											74			"	"						
25											75			"	"						
26											76			"	"						
27											77			"	"						
28											78			"	"						
29											79			"	"						
30											80			"	"						
31											81			Gfo2	1						
32											82			"	"						
33											83			"	"						
34											84			Hvf4	1						
35											85										
36											86										
37											87										
38											88										
39											89										
40											90										
41											91										
42											92										
43											93										
44											94										
45											95										
46											96										
47											97										
48											98										
49											99										

2/Se illustreret fortegnelse over personvagnar.

Nr.	13000		13100		13200		13300		13400		Nr.	13000		13100		13200		13300		13400		
	Litra	Type	Litra	Type	Litra	Type	Litra	Type	Litra	Type		Litra	Type	Litra	Type	Litra	Type	Litra	Type	Litra	Type	
00											50											
01	Lf3	1									51											
02	"	"									52											
03	L3	1									53											
04	"	"									54	NP3	1									
05	N3	1									55	"	"									
06	"	"									56	"	"									
07	"	"									57	"	"									
08	"	"									58	"	"									
09	"	"									59	"	"									
10	"	"									60	"	"									
11	Gf3	2									61	"	"									
12	"	"									62	"	"									
13	"	"									63	"	"									
14	CF ¹⁾	4									64	"	"									
15	"	"									65	"	"									
16	Gf3	2									66	"	"									
17	"	"									67	"	"									
18	"	"									68	"	"									
19	"	"									69	"	"									
20	"	"									70	"	"									
21	Fd3	3									71	"	"									
22	"	"									72	"	"									
23	"	"									73	"	"									
24	N3	1									74	L3	1									
25	"	"									75	"	"									
26	"	"									76	"	"									
27	"	"									77	Lf3	1									
28	"	"									78	"	"									
29	"	"									79	"	"									
30	"	"									80	NPo3	1									
31	"	"									81	"	"									
32	"	"									82	L3	1									
33	L3	1									83	"	"									
34	"	"									84	Lf3	1									
35	"	"									85	"	"									
36	"	"									86	NP3	1									
37	"	"									87	"	"									
38	"	"									88	"	"									
39	"	"									89	"	"									
40	"	"									90	"	"									
41	"	"									91	"	"									
42	NPo3	1									92	"	"									
43	"	"									93	"	"									
44	"	"									94	"	"									
45	"	"									95	"	"									
46	"	"									96	"	"									
47	"	"									97	"	"									
48	"	"									98	"	"									
49	"	"									99	"	"									

¹⁾ Se illustreret fortegnelse over personvagner.

Nr.	14000		14100		14200		14300		14400		Nr.	14000		14100		14200		14300		14400		
	Litra	Type	Litra	Type	Litra	Type	Litra	Type	Litra	Type		Litra	Type	Litra	Type	Litra	Type	Litra	Type	Litra	Type	
00			Gfo2	1	G3	1					50										M1	2
01	Fd ʝ	2	"	"	"	"			M1	2	51	Gf2	3								"	"
02	"	"	"	"	"	"			"	"	52	"	"								"	"
03	"	"	"	"	"	"			"	"	53	"	"								"	"
04	"	"	"	"	"	"			"	"	54	"	"								"	"
05	F ʝ	8	"	"	"	"			"	"	55	"	"								"	"
06	"	"	"	"	"	"			"	"	56	"	"								"	"
07	"	"	"	"	"	"			"	"	57	"	"								"	"
08			G3	1	"	"			"	"	58	"	"								"	"
09			"	"	"	"			"	"	59	Gf2	1								"	"
10	F ʝ	10	"	"	"	"			"	"	60	Gf2	2								M1	2
11	Fd ʝ	5	"	"	"	"			"	"	61	"	"								"	"
12	"	"	"	"	"	"			M1	2	62	"	"								"	"
13			"	"	"	"			"	"	63	"	"								"	"
14			"	"	"	"			"	"	64	"	"								"	"
15			"	"	"	"			"	"	65	"	"								"	"
16			"	"	"	"			MF1	2	66	"	"								"	"
17			"	"	"	"			"	"	67	"	"								"	"
18			"	"	"	"			"	"	68	"	"	G2	1						"	"
19			"	"	"	"			"	"	69	"	"	"	"						N2	2
20			"	"	"	"			"	"	70	"	"	"	"						"	"
21			"	"	"	"			M1	2	71	"	"	"	"						"	"
22			"	"	"	"			"	"	72	"	"	"	"						"	"
23			"	"	"	"			"	"	73	"	"	"	"						"	"
24			"	"	"	"			"	"	74	"	"	"	"						"	"
25			"	"	"	"			"	"	75	"	"	"	"						"	"
26			"	"	"	"			"	"	76	"	"	"	"						"	"
27			"	"	"	"			"	"	77	"	"	"	"						"	"
28			Gfo2	2	"	"			"	"	78	"	"	"	"						"	"
29			"	"	"	"			"	"	79	"	"	"	"						"	"
30			"	"	"	"			M1	2	80	"	"	"	"						"	"
31			"	"	"	"			"	"	81	"	"	"	"						"	"
32			"	"	"	"			"	"	82	"	"	"	"						"	"
33			"	"	"	"			"	"	83	"	"	"	"						"	"
34			"	"	"	"			"	"	84	"	"	"	"						"	"
35			"	"	"	"			"	"	85	"	"	"	"						"	"
36			"	"	"	"			"	"	86	"	"	"	"						"	"
37			"	"	"	"			"	"	87	"	"	"	"						"	"
38			Gfo2	3	"	"			MF1	2	88	"	"	"	"						N2	2
39			"	"	"	"			"	"	89	"	"	"	"						"	"
40			"	"	"	"			MF1	2	90	Gf3	3	"	"						"	"
41			"	"	"	"			"	"	91	"	"	"	"						"	"
42			"	"	"	"			"	"	92	"	"	"	"						"	"
43			"	"	"	"			"	"	93	"	"	"	"						"	"
44			"	"	"	"			"	"	94	"	"	"	"						"	"
45			"	"	"	"			"	"	95	"	"	"	"						"	"
46			"	"	"	"			MF1	2	96	"	"	"	"						"	"
47			"	"	"	"			"	"	97	"	"	G3	1						"	"
48			"	"	"	"			"	"	98	"	"	"	"						"	"
49			"	"	"	"			MF1	2	99	"	"	"	"						T3	1

ʝ Se illustreret fortegnelse over personvogne.

Nr.	15000		15100		15200		15300		15400		Nr.	15000		15100		15200		15300		15400	
	Litra	Type	Litra	Type	Litra	Type	Litra	Type	Litra	Type		Litra	Type	Litra	Type	Litra	Type	Litra	Type	Litra	Type
00	Hvf3	1	Gv1	1	G 3	1	G 3	1	G 3	1	50	G 1	5	G 1	1	G 3	1	G 1	3		
01			G 1	1	"	"	"	"	"	"	51	G 1	1	"	"	Gfo2	1	"	"	Hv1	2
02	F 7)	1			"	"	"	"	"	"	52			"	"	"	"	"	"	"	
03	"	"			"	"	"	"	"	"	53			"	"	"	"	"	"	Hv3	1
04			Gv1	1	"	"	G 3	1	"	"	54			"	"	"	"	"	"	Hvf3	1
05			G 1	1	"	"	"	"	"	"	55			"	"	"	"	G 3	1	"	"
06	F 7)	1	"	"	"	"	"	"	"	"	56	G 1	1	"	"	"	"	"	"	"	"
07			"	"	"	"	"	"	"	"	57	"	"	"	"	"	"	"	"	"	"
08	F 7)	8			"	"	"	"	"	"	58	"	"			G 3	1	"	"	"	"
09	"	"	G 1	1	"	"	"	"	"	"	59	"	"			"	"	"	"	"	"
10	"	"	"	"	"	"	"	"	"	"	60			G 1	1	"	"	"	"	"	"
11	"	"	"	"	"	"	"	"	"	"	61	G 1	1	"	"	"	"	"	"	G 4	1
12	"	"	G 1	1	"	"	"	"	"	"	62	"	"	"	"	"	"	"	"	"	"
13	"	"	"	"	"	"	"	"	"	"	63	"	"	"	"	"	"	"	"	"	"
14	"	"	"	"	"	"	"	"	"	"	64	"	"	"	"	"	"	"	"	"	"
15	Fd 7)	4	"	"	"	"	"	"	"	"	65			G 1	1	"	"	"	"	"	"
16	"	"	"	"	"	"	"	"	"	"	66	G 1	1	"	"	"	"	"	"	"	"
17	"	"	"	"	"	"	"	"	"	"	67	"	"	"	"	"	"	"	"	"	"
18	"	"	G 1	1	"	"	"	"	"	"	68	"	"	G 1	1	"	"	"	"	"	"
19	"	"	Gv1	1	"	"	"	"	"	"	69	"	"	"	"	"	"	"	"	"	"
20					"	"	"	"	"	"	70			G 1	1	"	"	"	"	"	"
21			Gv1	1	"	"	"	"	"	"	71	G 1	1	"	"	"	"	"	"	"	"
22			G 1	1	"	"	"	"	"	"	72	"	"	"	"	"	"	"	"	"	"
23			Gv1	1	"	"	"	"	"	"	73	"	"	G 1	1	"	"	"	"	"	"
24			G 1	1	"	"	"	"	"	"	74	"	"	"	"	"	"	"	"	"	"
25			G 3	1	"	"	"	"	"	"	75	G 1	1	"	"	"	"	Gfo2	"	"	"
26			Gv1	1	"	"	"	"	"	"	76	"	"	"	"	"	"	"	"	"	"
27			G 1	1	"	"	"	"	"	"	77	"	"	G 1	1	"	"	"	"	"	"
28					"	"	"	"	"	"	78	"	"	"	"	"	"	"	"	"	"
29					"	"	"	"	"	"	79	"	"	"	"	"	"	"	"	"	"
30			G 1	1	"	"	G 1	3	"	"	80	G 1	1	"	"	"	"	"	"	"	"
31			"	"	"	"	"	"	"	"	81	"	"	"	"	"	"	"	"	"	"
32			Gv1	1	"	"	"	"	"	"	82	"	"	G 1	1	"	"	"	"	"	"
33			G 1	1	"	"	"	"	"	"	83	"	"	"	"	"	"	G 3	1	"	"
34			"	"	"	"	"	"	"	"	84	"	"	G 1	1	"	"	"	"	"	"
35			"	"	"	"	"	"	"	"	85	"	"	"	"	"	"	"	"	"	"
36			"	"	"	"	"	"	"	"	86	"	"	"	"	"	"	"	"	"	"
37			"	"	"	"	"	"	"	"	87	"	"	"	"	"	"	"	"	"	"
38			G 1	1	"	"	"	"	"	"	88	G 1	1	G 1	1	"	"	"	"	"	"
39			"	"	"	"	"	"	"	"	89	"	"	"	"	"	"	"	"	"	"
40			"	"	"	"	"	"	"	"	90	"	"	G 1	1	"	"	"	"	"	"
41			"	"	"	"	"	"	"	"	91	G 1	1	"	"	"	"	"	"	Sf1	1
42			"	"	"	"	"	"	"	"	92	"	"	"	"	"	"	"	"	"	"
43			"	"	"	"	"	"	"	"	93	"	"	G 3	1	"	"	"	"	"	"
44			Gv1	1	"	"	"	"	"	"	94	"	"	"	"	"	"	"	"	Sf1	2
45			G 1	1	"	"	"	"	"	"	95	"	"	"	"	"	"	"	"	"	"
46			"	"	"	"	"	"	"	"	96	"	"	"	"	"	"	"	"	G 4	1
47			"	"	"	"	"	"	"	"	97	"	"	"	"	"	"	"	"	"	"
48			"	"	"	"	"	"	"	"	98	"	"	"	"	"	"	"	"	"	"
49			"	"	"	"	"	"	"	"	99	"	"	"	"	"	"	"	"	"	"

Nr.	16000		16100		16200		16300		16400		Nr.	16000		16100		16200		16300		16400	
	Litra	Type	Litra	Type	Litra	Type	Litra	Type	Litra	Type		Litra	Type	Litra	Type	Litra	Type	Litra	Type	Litra	Type
00	To1	1	N1	1	N2	3			N2	2	50	N1	1	N1	1	N1	1	N2	1	N1	1
01	M1	1	N2	3	N1	1	N1	1	"	"	51	N2	3			N2	3	"	"	"	"
02	"	"	"	"	"	"	N2	3	"	"	52	N1	1			N1	1	"	"	"	"
03	"	"					N1	1	"	"	53			N1	1	N2	3	"	"	"	"
04	"	"	N1	1	N2	3	"	"	"	"	54			"	"	N1	1	"	"	"	"
05	"	"			N1	1	"	"	"	"	55	N1	1	"	"	"	"	"	"	"	"
06	"	"	N2	3			N2	3	"	"	56	"	"	"	"	N2	3	"	"	"	"
07	"	"			N1	1	"	"	"	"	57					"	"	"	"	"	"
08	"	"			"	"	"	"	"	"	58	N1	1			"	"	"	"	"	"
09			N1	1	"	"	N1	1	"	"	59	"	"			"	"	"	"	"	"
10	M1	1	"	"	N2	3	N2	3	"	"	60	"	"	N2	3	N1	1	"	"	"	"
11			"	"	N1	1	"	"	"	"	61	N2	3	"	"	"	"	"	"	"	"
12	M1	1	"	"	"	"	"	"	"	"	62			N1	1	"	"	"	"	"	"
13	"	"	"	"	N2	3	N2	1	"	"	63	N1	1			N2	3	"	"	"	"
14	"	"	"	"	"	"	"	"	"	"	64			N1	1	"	"	"	"	"	"
15					N1	1	"	"	"	"	65			N2	3	"	"	N2	2	N2	2
16	M1	1	N1	1	"	"	"	"	"	"	66	N1	1	"	"	"	"	"	"	"	"
17	"	"	"	"	N1	1	"	"	"	"	67	"	"	N1	1	N1	1	"	"	"	"
18	"	"	N2	3	"	"	"	"	"	"	68			"	"	"	"	"	"	"	"
19	"	"	"	"	"	"	"	"	"	"	69	N1	1			N1	1	"	"	"	"
20	"	"									70			N1	1	"	"	"	"	"	"
21	"	"	N1	1	N1	1	"	"	"	"	71	N2	3	N2	3	N2	3	"	"	"	"
22	"	"	"	"	"	"	"	"	"	"	72			N1	1	N1	1	"	"	"	"
23	"	"	N1	1	N1	1	"	"	"	"	73	N1	1			N2	3	"	"	"	"
24	M1	1	"	"	"	"	"	"	"	"	74	"	"	"	"	"	"	"	"	"	"
25	"	"			"	"	"	"	"	"	75			N2	3	"	"	"	"	T13	1
26	N2	3			"	"	"	"	"	"	76	N2	3			"	"	"	"	"	"
27	N1	1	N1	1	N1	1	G2	2	"	"	77			N1	1	N1	1	"	"	"	"
28	"	"			N2	3	N2	1	"	"	78	N1	1			"	"	"	"	"	"
29					N1	1	"	"	"	"	79	"	"	N1	1	"	"	"	"	"	"
30	N2	3	N1	1	"	"	"	"	"	"	80	"	"	"	"	"	"	"	"	"	"
31					N2	3	"	"	"	"	81	"	"	"	"	"	"	"	"	"	"
32	N1	1	N2	3	"	"	"	"	"	"	82	N2	3	"	"	N2	3	"	"	"	"
33					N1	1	"	"	"	"	83	N1	1	"	"	"	"	"	"	"	"
34	N2	3	"	"	"	"	"	"	"	"	84	N2	3	"	"	"	"	"	"	"	"
35			N1	1	"	"	"	"	"	"	85	N1	1	N2	3	"	"	"	"	T1f3	1
36	N2	3	N2	3	N2	3	"	"	"	"	86	"	"	"	"	N1	1	"	"	"	"
37	N1	1	"	"	N1	1	"	"	"	"	87	"	"	N1	1	"	"	"	"	"	"
38	"	"	"	"	"	"	"	"	"	"	88			"	"	"	"	"	"	"	"
39			N1	1	"	"	"	"	"	"	89			N2	3	"	"	"	"	"	"
40	N1	1	N2	3	"	"	"	"	"	"	90	N1	1	"	"	N2	3	"	"	"	"
41			N1	1	"	"	"	"	"	"	91			N1	1	N1	1	"	"	"	"
42	N2	3	"	"	"	"	"	"	"	"	92	N2	3	"	"	"	"	"	"	"	"
43	N1	1	N1	1	N2	3	"	"	"	"	93	"	"	"	"	N1	1	"	"	"	"
44	N2	3	"	"	"	"	"	"	"	"	94	N1	1	N2	3	N2	3	"	"	"	"
45	"	"			N1	1	"	"	N1	1	95	N2	3	"	"	N1	1	"	"	T1o3	1
46	N1	1			"	"	N2	1	"	"	96	"	"	N1	1	"	"	"	"	"	"
47	"	"	N1	1	N2	3	"	"	"	"	97			N2	3	N2	3	"	"	"	"
48	N2	3	"	"	N1	1	"	"	"	"	98	N2	3	"	"	"	"	"	"	"	"
49			"	"	"	"	"	"	N2	3	99			"	"	N1	1	"	"	"	"

16500-

Oversikt

16999

Nr.	16500		16600		16700		16800		16900		Nr.	16500		16600		16700		16800		16900	
	Litra	Type	Litra	Type	Litra	Type	Litra	Type	Litra	Type		Litra	Type	Litra	Type	Litra	Type	Litra	Type	Litra	Type
00	Tl03	1	T4	1							50	Tl3	1	To4	1						
01	Tlfo3	1	"	"							51	Gf3	3	"	"						
02	Tl03	1	"	"							52	"	"	"	"						
03	"	"	"	"							53	"	"	"	"						
04	"	"	"	"							54	N2	2	"	"						
05	Trfo4	1	"	"							55	"	"	"	"						
06	Lk3	1	"	"							56	"	"	"	"						
07	"	"	"	"							57	"	"	"	"						
08	"	"	"	"							58	"	"	"	"						
09	"	"	"	"							59	"	"	T4	1						
10	"	"	"	"							60	"	"	"	"						
11	"	"	"	"							61	"	"	"	"						
12	"	"	"	"							62	"	"	"	"						
13	"	"	"	"							63	"	"	"	"						
14	"	"	"	"							64	"	"	"	"						
15	"	"	"	"							65	"	"	"	"						
16	Tl3	1	"	"							66	Tl3	1	"	"						
17	"	"	"	"							67	"	"	"	"						
18	"	"	"	"							68	"	"	"	"						
19	"	"	"	"							69	"	"	"	"						
20	"	"	"	"							70	"	"	"	"						
21	"	"	"	"							71	"	"	"	"						
22	"	"	"	"							72	L3	2	"	"						
23	"	"	"	"							73	"	"	"	"						
24	"	"	"	"							74	"	"	"	"						
25	"	"	"	"							75	"	"	"	"						
26	"	"	"	"							76	"	"	"	"						
27	"	"	"	"							77	"	"	"	"						
28	"	"	"	"							78	"	"	"	"						
29	"	"	"	"							79	"	"	"	"						
30	"	"	"	"							80	"	"	"	"						
31	"	"	"	"							81	"	"	"	"						
32	"	"	"	"							82	"	"	"	"						
33	"	"	"	"							83	"	"	"	"						
34	"	"	To4	1							84	"	"	"	"						
35	"	"	"	"							85	"	"	"	"						
36	"	"	"	"							86	"	"	"	"						
37	"	"	"	"							87	Sf3	2	"	"						
38	"	"	"	"							88	"	"	"	"						
39	"	"	"	"							89	Tl03	1	004	1						
40	"	"	"	"							90	"	"	"	"						
41	"	"	"	"							91	"	"	"	"						
42	"	"	"	"							92	Zl	1	"	"						
43	"	"	"	"							93	"	"	"	"						
44	"	"	"	"							94	T4	1	"	"						
45	"	"	"	"							95	"	"	"	"						
46	"	"	"	"							96	"	"	"	"						
47	"	"	"	"							97	"	"	"	"						
48	"	"	"	"							98	"	"	"	"						
49	"	"	"	"							99	"	"	"	"						

Nr.	17000		17100		17200		17300		17400		Nr.	17000		17100		17200		17300		17400	
	Litra	Type	Litra	Type	Litra	Type	Litra	Type	Litra	Type		Litra	Type	Litra	Type	Litra	Type	Litra	Type	Litra	Type
00			T3	1	G4	1	G4	1			50	Hvf3	1	T13	1	G4	1				
01			"	"	"	"	"	"			51	Gf2	2	Gf3	3	"	"			Fd ²	7
02	T3	1	"	"	"	"	"	"			52	"	"	"	"	"	"				
03	"	"	"	"	"	"	"	"			53	"	"	"	"	"	"				
04	"	"	"	"	"	"	"	"			54	"	"	"	"	"	"				
05	"	"	"	"	"	"	"	"			55	"	"	"	"	"	"				
06	"	"	"	"	"	"	"	"			56	"	"	L3	3	"	"				
07	"	"	"	"	"	"	"	"			57	"	"	"	"	"	"				
08	"	"	"	"	"	"	"	"			58	"	"	"	"	"	"				
09	"	"	"	"	"	"	"	"			59	"	"	T13	1	"	"				
10	"	"	"	"	"	"	"	"			60	"	"	"	"	"	"				
11	"	"	"	"	"	"	"	"			61	"	"	"	"	"	"				
12	"	"	"	"	"	"	"	"			62	"	"	"	"	"	"				
13	"	"	"	"	"	"	"	"			63	"	"	"	"	"	"				
14	"	"	"	"	"	"	"	"			64	"	"	To1	1	"	"				
15	"	"	"	"	"	"	"	"			65	"	"	"	"	"	"				
16	"	"	"	"	"	"	"	"			66	"	"	"	"	"	"				
17	"	"	"	"	"	"	"	"			67	"	"	"	"	"	"				
18	"	"	"	"	"	"	"	"			68	"	"	"	"	"	"				
19	"	"	"	"	"	"	"	"			69	"	"	G3	1	"	"				
20	"	"	"	"	"	"	"	"			70	"	"	"	"	"	"				
21	"	"	"	"	"	"	"	"			71	"	"	"	"	"	"				
22	"	"	"	"	"	"	"	"			72	"	"	"	"	"	"				
23	"	"	"	"	"	"	"	"			73	"	"	"	"	"	"				
24	"	"	"	"	"	"	"	"			74	"	"	"	"	"	"				
25	"	"	"	"	"	"	"	"			75	"	"	"	"	"	"				
26	T13	1	"	"	"	"	"	"			76	"	"	"	"	"	"				
27	"	"	"	"	"	"	"	"			77	"	"	"	"	"	"				
28	"	"	"	"	"	"	"	"			78	"	"	"	"	"	"				
29	"	"	"	"	"	"	"	"			79	"	"	"	"	"	"				
30	"	"	"	"	"	"	"	"			80	"	"	"	"	"	"				
31	"	"	"	"	"	"	"	"			81	"	"	"	"	"	"				
32	"	"	"	"	"	"	"	"			82	"	"	"	"	"	"				
33	"	"	"	"	"	"	"	"			83	"	"	"	"	"	"				
34	"	"	"	"	"	"	"	"			84	Hvf3	1	G4	1	"	"				
35	"	"	"	"	"	"	"	"			85	"	"	"	"	"	"				
36	L3	2	T13	1	"	"	"	"			86	"	"	"	"	"	"				
37	"	"	"	"	"	"	"	"			87	"	"	"	"	"	"				
38	"	"	"	"	"	"	"	"			88	"	"	"	"	"	"				
39	"	"	"	"	"	"	"	"			89	"	"	"	"	"	"				
40	"	"	"	"	"	"	"	"			90	Hv3	1	"	"	"	"				
41	Hvf3	1	"	"	"	"	"	"			91	T3	1	"	"	"	"				
42	"	"	"	"	"	"	"	"			92	"	"	"	"	"	"				
43	"	"	"	"	"	"	"	"			93	"	"	"	"	"	"				
44	"	"	"	"	"	"	"	"			94	"	"	"	"	"	"				
45	"	"	"	"	"	"	"	"			95	"	"	"	"	"	"				
46	"	"	"	"	"	"	"	"			96	"	"	"	"	"	"				
47	"	"	"	"	"	"	"	"			97	"	"	"	"	"	"				
48	"	"	"	"	"	"	"	"			98	"	"	"	"	"	"				
49	"	"	"	"	"	"	"	"			99	"	"	"	"	"	"				

²Se illustreret fortegnelse over personvognen.

17500-

Oversikt

17999

Nr.	17500		17600		17700		17800		17900		Nr.	17500		17600		17700		17800		17900	
	Litra	Type	Litra	Type	Litra	Type	Litra	Type	Litra	Type		Litra	Type	Litra	Type	Litra	Type	Litra	Type	Litra	Type
00			ØF4	1							50										
01	G 3	1	"	"							51	T 3	1							Fd ³	5
02	"	"	"	"							52	"	"							"	"
03	"	"	Ø 4	1							53	"	"							F ³	10
04	"	"	"	"							54	"	"							"	"
05	"	"	"	"							55	"	"							"	"
06	"	"	"	"							56	"	"							Fo ³	1
07	"	"	"	"							57	"	"							"	"
08	"	"	"	"							58	T 3	1							"	"
09	"	"	"	"							59	"	"							"	"
10	M 2	1	"	"							60	"	"								
11	"	"	"	"							61	"	"								
12	"	"	"	"							62	"	"								
13	"	"	"	"							63	"	"								
14	"	"	"	"							64	"	"								
15	"	"									65	Ø 4	1								
16	"	"									66	"	"								
17	"	"									67	"	"								
18	"	"									68	"	"								
19	"	"									69	"	"								
20	M F 2	1									70	"	"								
21	"	"									71	"	"								
22	"	"									72	"	"								
23	"	"									73	"	"								
24	"	"									74	"	"								
25	"	"									75	"	"								
26	"	"									76	"	"								
27	"	"									77	"	"								
28	"	"									78	"	"								
29	"	"									79	"	"								
30	S F 1	2									80	"	"								
31	"	"									81	"	"								
32	G F 3	3									82	"	"								
33	"	"									83	"	"								
34	"	"									84	"	"								
35	"	"									85	"	"								
36	L 3	3									86	"	"								
37	"	"									87	"	"								
38	"	"									88	"	"								
39	"	"									89	"	"								
40	"	"									90	"	"								
41	"	"									91	"	"								
42	"	"									92	"	"								
43	"	"									93	Ø F 4	1								
44	"	"									94	"	"								
45	"	"									95	"	"								
46	"	"									96	"	"								
47	"	"									97	"	"								
48	"	"									98	"	"								
49	"	"									99	"	"								

³Se illustreret fortegnelse over personvognen.

Nr.	20000		20100		20200		20300		20400		Nr.	20000		20100		20200		20300		20400	
	Litra	Type	Litra	Type	Litra	Type	Litra	Type	Litra	Type		Litra	Type	Litra	Type	Litra	Type	Litra	Type	Litra	Type
00					G3	1					50	L3	2	N2	2	MK3	1				
01	L3	2	N2	2	N2	2					51	F [↓]	10	G3	1	SF3	1				
02	"	"	"	"	"	"					52	Fd [↓]	5	"	"	"	"				
03	"	"	"	"	"	"					53	"	"	"	"	"	"				
04	"	"	"	"	"	"					54	F [↓]	11	"	"	"	"				
05	"	"	"	"	"	"					55	"	"	"	"	"	"				
06	"	"	"	"	"	"					56	"	"	"	"	"	"				
07	"	"	"	"	"	"					57	"	"	"	"	"	"				
08	"	"	"	"	"	"					58	Fdo [↓]	2	"	"	"	"				
09	"	"	"	"	"	"					59	"	"	"	"	Hvf3	1				
10	"	"	"	"	"	"					60	"	"	"	"	"	"				
11	"	"	"	"	"	"					61	"	"	"	"	"	"				
12	"	"	"	"	"	"					62	"	"	"	"	Hv3	1				
13	"	"	"	"	"	"					63	"	"	"	"	Hvf3	1				
14	"	"	"	"	"	"					64	"	"	"	"	L3	2				
15	"	"	"	"	"	"					65	"	"	"	"	"	"				
16	"	"	"	"	"	"					66	"	"	"	"	"	"				
17	"	"	"	"	"	"					67	"	"	"	"	"	"				
18	"	"	"	"	"	"					68	"	"	"	"	"	"				
19	"	"	"	"	"	"					69	"	"	"	"	"	"				
20	"	"	"	"	"	"					70	"	"	"	"	"	"				
21	"	"	"	"	"	"					71	"	"	"	"	"	"				
22	"	"	"	"	"	"					72	"	"	"	"	"	"				
23	"	"	"	"	"	"					73	"	"	"	"	"	"				
24	"	"	"	"	"	"					74	"	"	"	"	"	"				
25	"	"	"	"	"	"					75	"	"	"	"	"	"				
26	"	"	"	"	"	"					76	"	"	"	"	"	"				
27	"	"	"	"	"	"					77	"	"	"	"	"	"				
28	"	"	"	"	"	"					78	"	"	"	"	"	"				
29	"	"	"	"	"	"					79	"	"	"	"	"	"				
30	"	"	"	"	"	"					80	"	"	"	"	"	"				
31	"	"	"	"	MK3	1					81	"	"	"	"	"	"				
32	"	"	"	"	"	"					82	"	"	"	"	"	"				
33	"	"	"	"	"	"					83	"	"	"	"	"	"				
34	"	"	"	"	"	"					84	"	"	"	"	"	"				
35	"	"	"	"	"	"					85	"	"	"	"	"	"				
36	"	"	"	"	"	"					86	"	"	"	"	"	"				
37	"	"	"	"	"	"					87	"	"	"	"	"	"				
38	"	"	"	"	"	"					88	"	"	"	"	"	"				
39	"	"	"	"	"	"					89	"	"	"	"	"	"				
40	"	"	"	"	"	"					90	"	"	"	"	"	"				
41	"	"	"	"	"	"					91	"	"	"	"	"	"				
42	"	"	"	"	"	"					92	"	"	"	"	"	"				
43	"	"	"	"	"	"					93	"	"	"	"	"	"				
44	"	"	"	"	"	"					94	"	"	"	"	"	"				
45	"	"	"	"	"	"					95	"	"	"	"	"	"				
46	"	"	"	"	"	"					96	"	"	"	"	"	"				
47	"	"	"	"	"	"					97	"	"	"	"	"	"				
48	"	"	"	"	"	"					98	"	"	"	"	"	"				
49	"	"	"	"	"	"					99	"	"	"	"	"	"				

illustreret fortegnelse over personvogner.

20500-

Oversikt

20999

Nr.	20500		20600		20700		20800		20900		Nr.	20500		20600		20700		20800		20900	
	Litra	Type	Litra	Type	Litra	Type	Litra	Type	Litra	Type		Litra	Type	Litra	Type	Litra	Type	Litra	Type	Litra	Type
00							N 1	1			50					L 3	2				
01	M 1	2					N 2	2			51					"	"				
02	"	"					"	"			52					"	"				
03	"	"					"	"			53					Gf 3	3				
04	"	"					"	"			54					"	"				
05	"	"					"	"			55					"	"				
06	"	"					"	"			56					"	"				
07	M 1	2					"	"			57					"	"				
08	"	"					"	"			58					"	"				
09	"	"					"	"			59					"	"				
10	"	"					"	"			60					"	"				
11	"	"					"	"			61					"	"				
12	"	"					"	"			62					"	"				
13	"	"					"	"			63					"	"				
14	"	"					"	"			64					Gfo 2	1				
15	"	"					"	"			65					"	"				
16	"	"					"	"			66					"	"				
17	"	"					"	"			67					Hvf 3	1				
18	"	"					"	"			68					"	"				
19	"	"					"	"			69					Sf 3	1				
20	"	"					"	"			70					"	"				
21	"	"					"	"			71					"	"				
22	"	"					"	"			72					"	"				
23	"	"					"	"			73					Fd ¹	7				
24	"	"					"	"			74					"	"				
25	MF 1	2					"	"			75					G 3	1				
26	"	"					"	"			76					"	"				
27	"	"					"	"			77					"	"				
28	"	"					"	"			78					"	"				
29	"	"					"	"			79					"	"				
30	"	"					"	"			80					"	"				
31	"	"					"	"			81					"	"				
32	"	"					"	"			82					"	"				
33	"	"					"	"			83					"	"				
34	"	"					"	"			84					"	"				
35	"	"					"	"			85					"	"				
36	"	"					"	"			86					"	"				
37	"	"					"	"			87					"	"				
38	"	"					"	"			88					"	"				
39	"	"					"	"			89					"	"				
40							"	"			90					"	"				
41							L 3	2			91					"	"				
42							"	"			92					"	"				
43							"	"			93					"	"				
44							"	"			94					"	"				
45							"	"			95					Hvf 4	1				
46							"	"			96					"	"				
47							"	"			97					"	"				
48							"	"			98					"	"				
49							"	"			99					"	"				

¹ Se illustreret fortegnelse over personvognen.

Nr.	23000		23100		23200		23300		23400		Nr.	23000		23100		23200		23300		23300	
	Litra	Type	Litra	Type	Litra	Type	Litra	Type	Litra	Type		Litra	Type	Litra	Type	Litra	Type	Litra	Type	Litra	Type
00									L 1	4	50	K 2	1							M 2	1
01	N 2	2	Fd ¹	5					"	"	51	"	"						"	"	"
02	"	"	"	"					"	"	52	"	"						"	"	"
03	"	"							"	"	53	"	"						"	"	"
04	"	"							"	"	54	"	"						"	"	"
05	"	"							"	"	55	"	"						"	"	"
06	"	"							"	"	56	"	"						"	"	"
07	"	"							"	"	57	"	"						"	"	"
08	M 2	1							"	"	58	"	"						"	"	"
09	"	"							"	"	59	"	"							Mf 2	1
10	"	"							"	"	60	"	"								
11	"	"							L 3	4	61	Sf 1	2							Mf 2	1
12	"	"							"	"	62	"	"							"	"
13	"	"							"	"	63	Hvf 3	1						"	"	"
14	M 2	1							"	"	64	Hv 3	1						"	"	"
15	"	"							"	"	65	Gf 3	3						"	"	"
16	"	"							"	"	66	"	"						"	"	"
17	"	"							"	"	67	"	"						"	"	"
18	"	"							Lf 4	1	68	"	"						"	"	"
19	"	"							"	"	69	"	"						"	"	"
20	"	"							"	"	70	"	"						"	"	"
21	"	"							"	"	71	"	"						"	"	"
22	"	"							"	"	72	"	"						"	"	"
23	"	"							L 1	4	73	"	"						"	"	"
24	"	"							Q 3	1	74	"	"						"	"	"
25	M 2	1							"	"	75	G 3	1						"	"	"
26	"	"							"	"	76	"	"						"	"	"
27	"	"							"	"	77	"	"						"	"	"
28	"	"							"	"	78	"	"						"	"	"
29	"	"							"	"	79	"	"						"	"	"
30	"	"							"	"	80	Gfo 2	1					G 3	1		
31	"	"							N 3	2	81	Hv 3	1					"	"	Mf 2	1
32	"	"							"	"	82	Hvf 3	1					"	"	"	"
33	"	"							"	"	83	"	"					"	"	"	"
34	"	"							"	"	84	"	"					"	"	"	"
35	"	"							No 3	1	85	"	"						"	"	"
36	"	"							"	"	86	"	"						"	"	"
37	"	"							K 2	1	87	"	"					L 1	4	"	"
38	"	"							"	"	88	"	"					"	"	"	"
39	"	"							"	"	89	"	"					M 1	3	"	"
40	"	"							"	"	90	"	"					L 1	4	"	"
41	K 2	1							"	"	91	"	"					O 3	1	"	"
42	"	"							M 2	1	92	"	"					L 1	4	"	"
43	"	"							"	"	93	"	"					"	"	"	"
44	"	"							"	"	94	"	"					"	"	"	"
45	"	"							"	"	95	"	"					M 1	3	Mf 2	1
46	"	"							"	"	96	"	"					Q 3	1	"	"
47	"	"							"	"	97	"	"					L 1	4	Mf 2	1
48	"	"							"	"	98	"	"					"	"	"	"
49	"	"							"	"	99	"	"					"	"	"	"

²Se illustreret fortegnelse over personvagner.

32500-

Oversikt

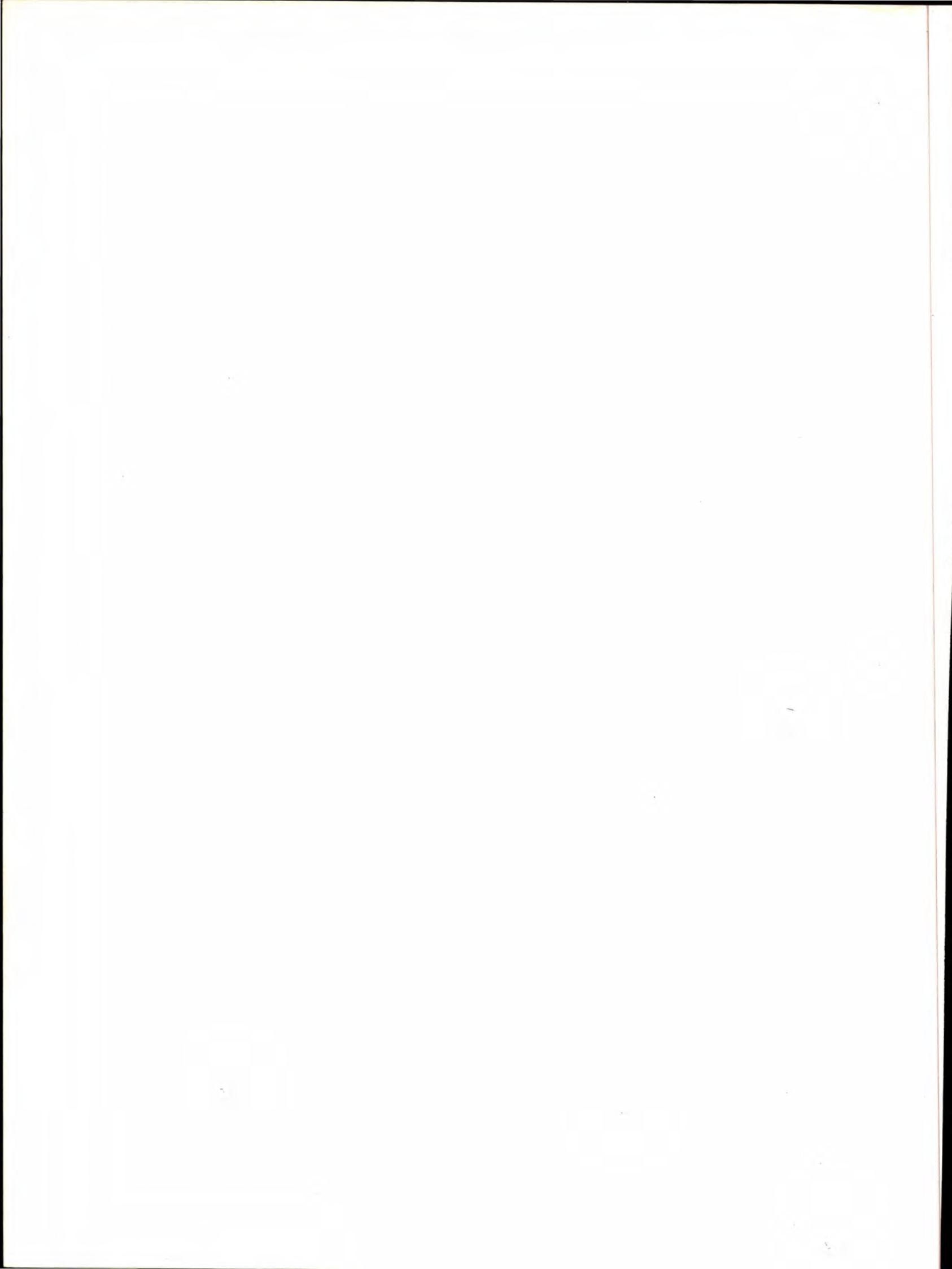
32999

Nr.	32500		32600		32700		32800		32900		Nr.	32500		32600		32700		32800		32900	
	Litra	Type	Litra	Type	Litra	Type	Litra	Type	Litra	Type		Litra	Type	Litra	Type	Litra	Type	Litra	Type	Litra	Type
00			LF4	1							50	L4	1	LF4	1						
01			L4	1							51	"	"	L4	1						
02			"	"							52	LF4	1	"	"						
03			"	"							53	"	"	L4	2						
04			"	"							54	L4	1	L4	1						
05			"	"							55	LF4	1	L4	1						
06			"	"							56	L4	2	"	"						
07			"	"							57	L4	1	"	"						
08			LF4	1							58	"	"	"	"						
09			L4	1							59	"	"	"	"						
10			LF4	1							60	LF4	1	LF4	1						
11			L4	1							61	L4	1	L4	1						
12			"	"							62	"	"	LF4	1						
13	L4	1	"	"							63	LF4	1	L4	1						
14	"	"	LF4	1							64	L4	1	"	"						
15	"	"	L4	1							65	LF4	1	L4	2						
16	LF4	1	LF4	1							66	L4	1	L4	1						
17	L4	1	L4	1							67	"	"	"	"						
18	LF4	1	"	"							68	"	"	"	"						
19	L4	1	"	"							69	LF4	1	"	"						
20	"	"	LF4	1							70	"	"	"	"						
21	"	"	"	"							71	L4	1	"	"						
22	"	"	"	"							72	LF4	1	"	"						
23	LF4	1	"	"							73	L4	1	"	"						
24	"	"	"	"							74	"	"	"	"						
25	L4	1	"	"							75	"	"	"	"						
26	"	"	"	"							76	"	"	"	"						
27	"	"	"	"							77	LF4	1	"	"						
28	LF4	1	"	"							78	"	"	"	"						
29	L4	1	"	"							79	L4	1	"	"						
30	"	"	L4	1							80	"	"	"	"						
31	"	"	LF4	1							81	LF4	1	"	"						
32	LF4	1	L4	1							82	L4	1	"	"						
33	L4	1	"	"							83	"	"	"	"						
34	LF4	1	"	"							84	"	"	"	"						
35	L4	1	"	"							85	"	"	"	"						
36	LF4	1	LF4	1							86	"	"	"	"						
37	"	"	L4	1							87	"	"	"	"						
38	"	"	"	"							88	LF4	1	"	"						
39	"	"	LF4	1							89	L4	1	"	"						
40	"	"	L4	2							90	"	"	"	"						
41	L4	1	LF4	1							91	LF4	1	"	"						
42	"	"	L4	1							92	L4	1	"	"						
43	"	"	"	"							93	"	"	"	"						
44	"	"	"	"							94	"	"	"	"						
45	"	"	"	"							95	"	"	"	"						
46	"	"	LF4	1							96	"	"	"	"						
47	"	"	L4	1							97	"	"	"	"						
48	"	"	LF4	1							98	LF4	1	"	"						
49	"	"	L4	2							99	L4	1	"	"						



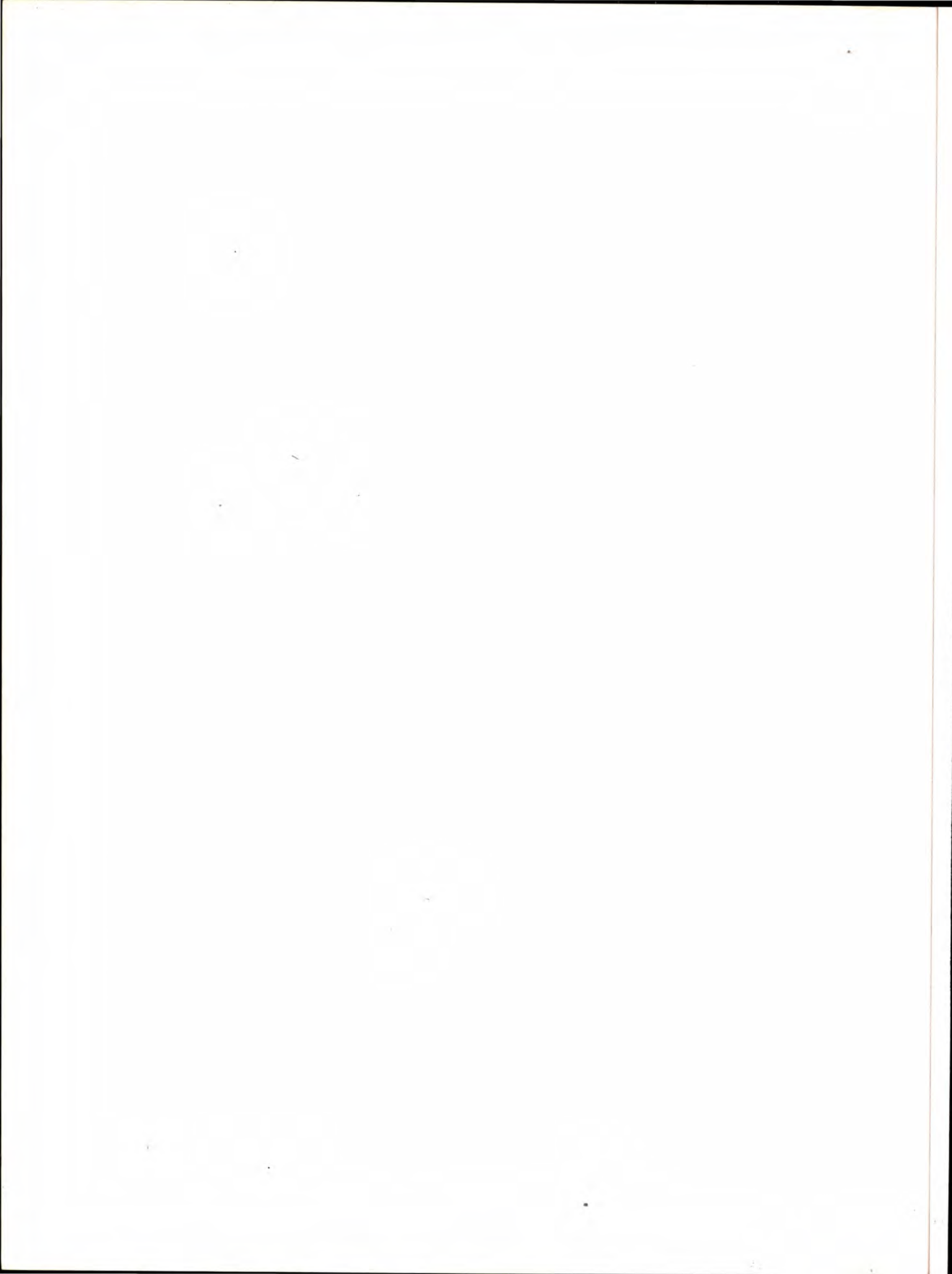
OVERSIKT (Fortsettelse)

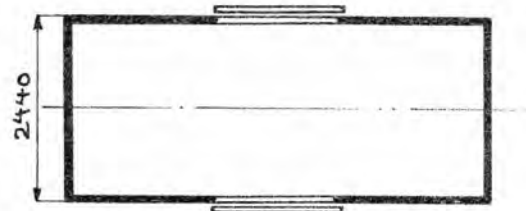
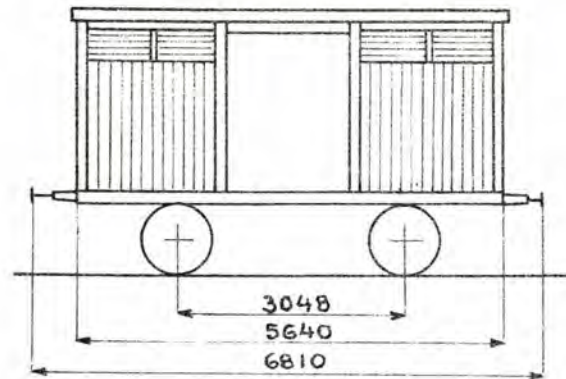
VOGNNUMMER 4000- 06 HØYERE.



BESKRIVELSE AV VOGNENE.

Typetegninger i målestokk 1:100.





Beslag for anbringelse av
troppetransportbenker (for 32
mann) og bommer for heste-
transport (6 hester) har
følgende vogner:
Nr. 2051, 2054, 2075,
vogner innen seriene
15051-15066, 15077-15191.

Omtrentl. egenvekt: 7,0 t.

» lasteevne: 10,5 «

Lukket godsvogn

Antall	Vogn nr.	Distrikt	Fabrikant	Bygge år	Hoved- tegning	Gulv- flate	Rum- inn- hold	Bremses, opvarming, belysning m.v. Se side 6	Anm.
						m ²	m ³		
1	15051	Drn.]							
3	15056-15058	"							
2	15061, 15062	"							
1	15066,	"							
2	15077, 15078	"							
6	15080-15085	"							
1	15088	"							
9	15091-15099	"							
1	15101	"	Skabo						
3	15105-15107	"	Atlas og	1877 ¹⁾ /79	Ukjent	12,2	24,7	21.	
2	15109, 15110	"	Strømmen						
5	15112-15116	"							
2	15118, 15122	"							
2	15124, 15127	"							
2	15130, 15131	"							

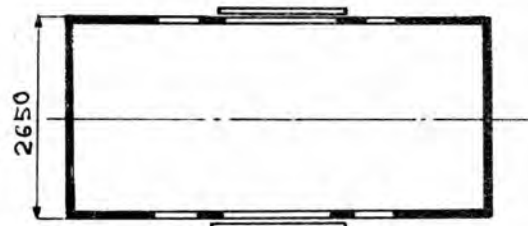
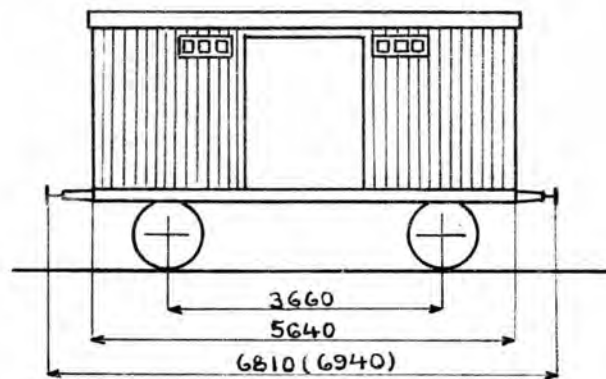
¹⁾ Vogner innen seriene 15051-15066 og 15077-15191 har fått ny vognkasse i Drn. 1916/29.

G1

TYPE 1 (forts.)

Antall	Vogn nr.	Distrikt	Fabrikant	Bygge år	Hoved- tegning	Gulv- flate	Rum- inn- hold	Bremses, oppvarming, belysning m.v. Se side 6	Anm.
						m ²	m ³		
4	15133 - 15136	Drm.						21	
3	15138 - 15140	"						21	
3	15145 - 15147	"						21	
7	15150 - 15156	"						21	
4	15160 - 15163	"	Skabo					21	
2	15165 - 15168	"	Atlas og	1877 ¹⁾ 79	Ukjent	12,2	24,7	21	
1	15170	"	Strømmen					21	
2	15171, 15173							1.21	
2	15174, 15175							1.21	
2	15177, 15178							21	
1	15182							1.21	
2	15184, 15188							21	
2	15190, 15191							21	
1	2075	Oslo	Skabo	1885	Thm.366	12,2	24,7	21	
1	5066	Hmr.	"	1889	"	"	"	2.6.21	
1	5071	"	"	"	"	"	"	21	
2	2051, 2054	Oslo	Strømmen	1890	112	"	25,5	21	
2	15071, 15072	Drm.	"	"	"	"	"	21	
2	15075, 15076	"	"	"	"	"	"	21	

¹⁾ Vognen innen seriene 15051-15066 og 15077-15191 har fått ny vognkasse i Drm. 1916/29.



Antall mann 32
" hester 8

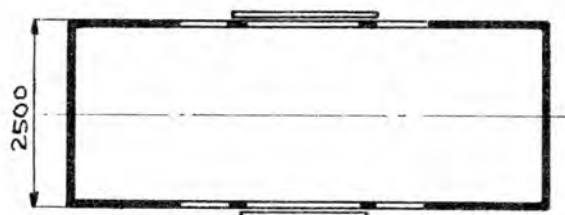
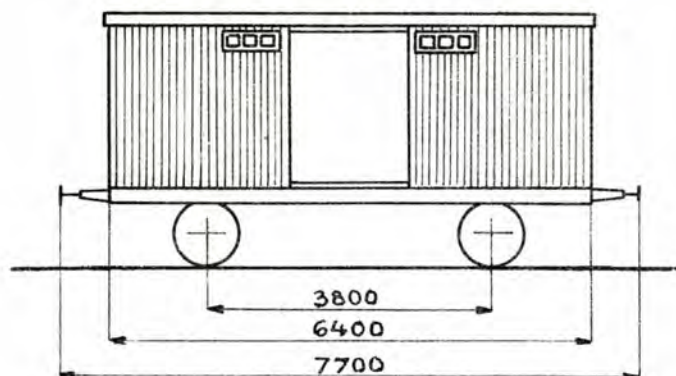
Omtrentl. egenvekt: 6,8 t.

" lasteevne: 10,0 "

Lukket godsvogn

Antall	Vogn nr.	Distrikt	Fabrikant	Bygge år	Hovedtegning	Gulvflate	Ruminnhold	Bremsar, opvarming, belysning m.v. Se side 6	Anm.
						m ²	m ³		
24	1101 - 1124	Oslo	Skabo	1892	Ukjent	13,3	28,2	2.6.21	
9	1125 - 1133	"	"	"	"	"	"	21	
15	1135 - 1149	"	"	"	"	"	"	21	
5	1151 - 1155	"	Strømmen	1895-96	"	"	"	21	
1	1158	"	"	"	"	"	"	21	
1	2032	"	Skabo	1892	169	"	"	21	
1	2033	"	"	"	"	"	"	2.6.21	
2	2034, 2035	"	"	"	"	"	"	21	
4	2037-2040	"	"	"	"	"	"	21	
2	2042, 2043	"	"	"	"	"	"	21	
2	2045, 2046	"	"	"	"	"	"	21	
3	2048 - 2050	"	"	"	"	"	"	21	
4	2092-2095	"	"	"	"	"	"	21	
13	2097-2109	"	"	"	"	"	"	21	Nr. 2101 har desinfeksjonsrør i den ene ende.
2	7051, 7053	"	"	"	"	"	"	21	
3	7055 - 7057	"	"	"	"	"	"	21	
2	7059, 7060	"	"	"	"	"	"	21	
3	7062 - 7064	"	"	"	"	"	"	21	
1	8051	Hmr.	"	"	"	"	"	2.21	
2	8053, 8054	"	"	"	"	"	"	2.6.21	
1	8056	"	"	"	"	"	"	2.21	

Forts.



Antall mann 32
" hester 6

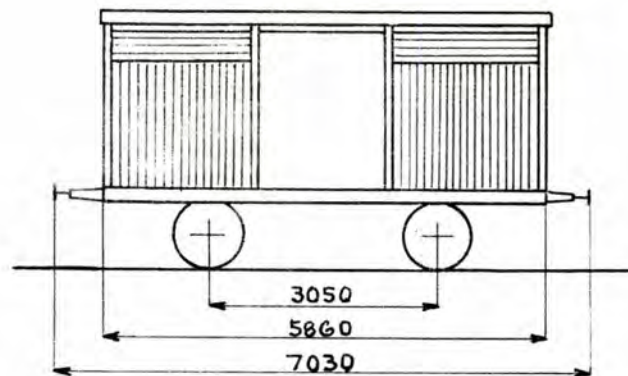
Omtrentl. egenvekt: 7,2 t.

" lasteevne: 10,0 "

Lukket godsvogn

Antall	Vogn nr.	Distrikt	Fabrikant	Bygge år	Hoved-tegning	Gulv-plate	Rum-inn-hold	Bremses, opvarming, belysning m.v. Se side 6	Anm.
						m ²	m ³		
20	8402 - 8421	Hmr.	Strømmen	1912	1421	14,3	29,5	21	
25	15330 - 15354	Drm.	Eidsfos	1914	"	"	"	21	

G 1
TYPE 4



Lös innredning for heste-og
troppetransport (32 mann
eller 8 hester).

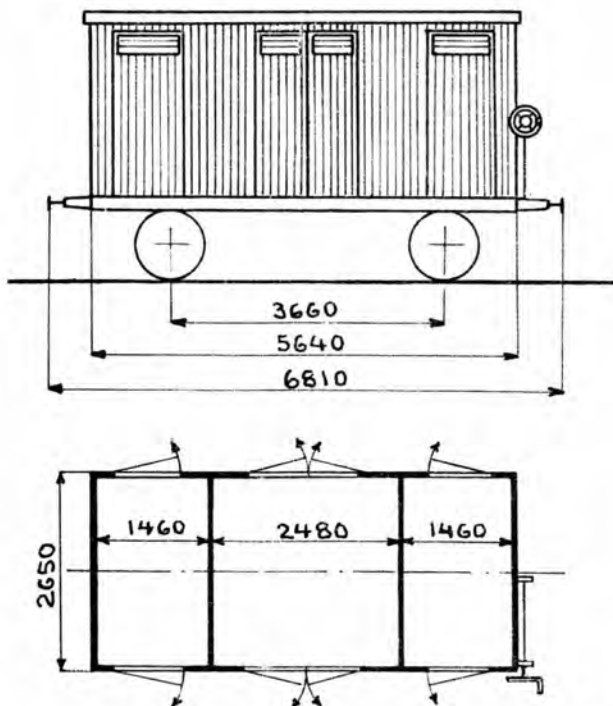


Omtrentl. egenvekt: 6,5t.

» lasteevne 10,5t

Lukket godsvogn

Antall	Vogn nr.	Distrikt	Fabrikant	Bygge år	Hoved- tegning	Gulv- flate	Rum- inn- hold	Bremses, opvarming, belysning m.v. Se side 6	Anm.
						m ²	m ³		
2	1034, 1035	Oslo		1887	Ukjent	12,6	25,5	21	
2	1036, 1038	"		"	"	"	"	21	
2	1081, 1084	"		1889	"	"	"	21	
2	1085, 1089	"		"	"	"	"	21	
2	1091, 1092	"		"	"	"	"	21	
2	1093, 1095	"		"	"	"	"	21	
2	1097, 1098	"		"	"	"	"	21	
1	1099	"		"	"	"	"	21	

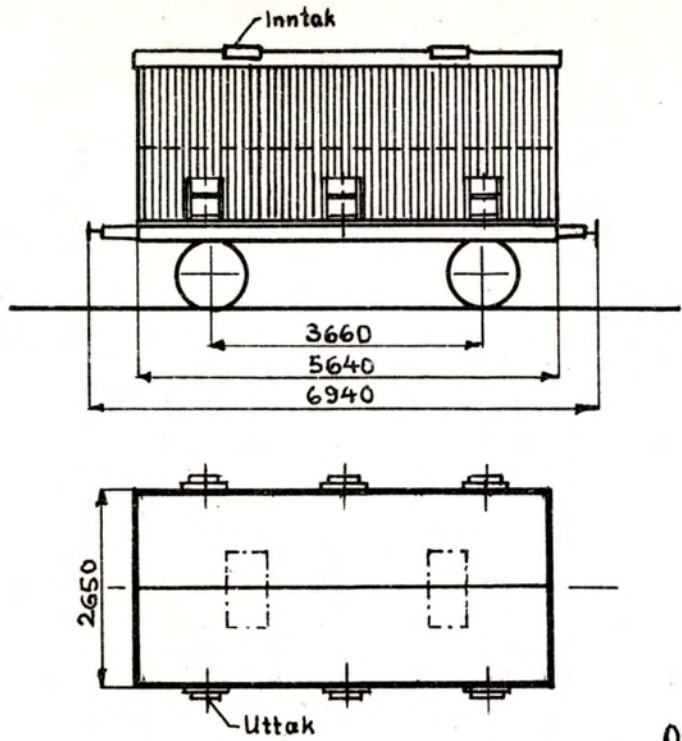


Omtrentl. egenvekt: 7,2 t.

» lasteevne: 10,0 »

Lukket godsvogn

Antall	Vogn nr.	Distrikt	Fabrikant	Bygge år	Hoved-tegning	Gulv-plate	Rum-inn-hold	Bremses, opvarming, belysning m.v. Se side 6	Anm.
						m ²	m ³		
1	15050	Drm	Drm.distr.	1932	D.2939			1.3.6	Innredet for transport av fiskekasser og reise-gods. Gammel understilling.

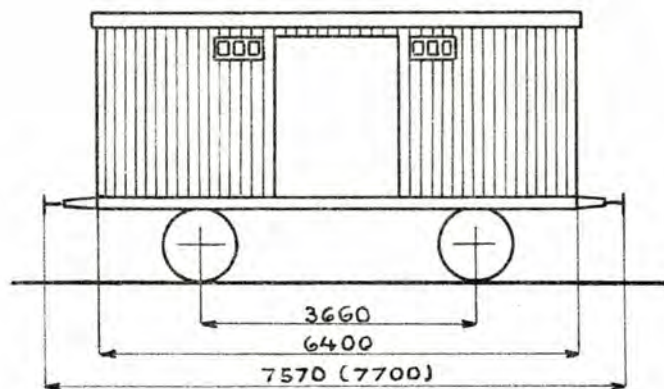


Omtrentl. egenvekt: t.
" lasteevne: "

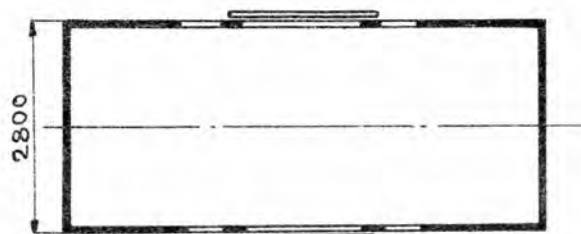
Lukket godsvogn

Antall	Vogn nr.	Distrikt	Fabrikant	Bygge- & år	Hoved- tegning	Gulv- flate		Rom- inn- hold	Bremsar, oppvarming, belysning m.v. Se side 6.	Anm.
						m. ²	m. ³			
1	10289	Thm	Thm. distr.	1895	169 + BdM.2086				21	For transport av kullstubb.

G₂
TYPE 1



Antall mann 40
" hester 8



Omtrentl. egenvekt: 7,0t.

» lasteevne: 9,5 - 10,0

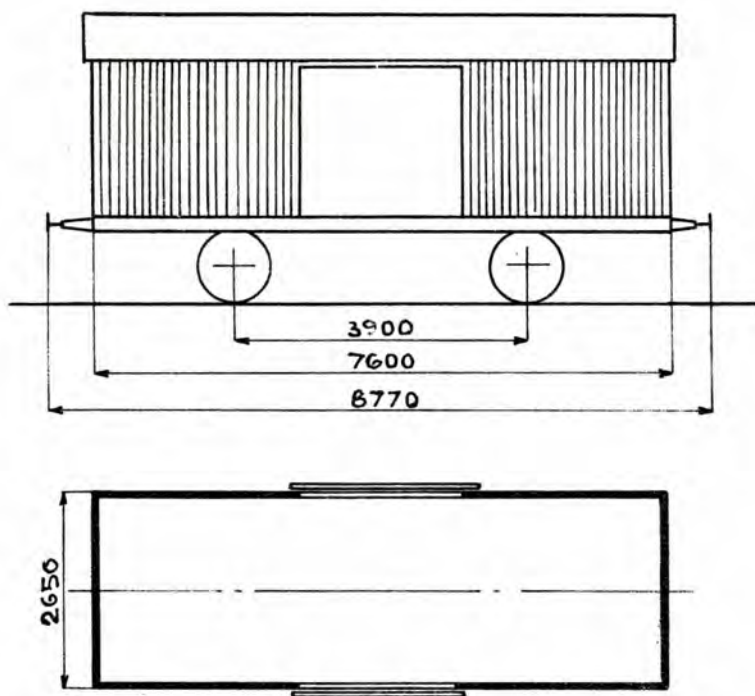
Lukket godsvogn

Antall	Vogn nr.	Distrikt	Fabrikant	Bygge år	Hoved-tegning	Gulv-plate	Rum-inn-hold	Brems, opvarming, belysning m.v. Se side 6	Anm.
						m ²	m ³		
6	1159 - 1164	Oslo	Skabo	1897	B.62	16,1	34,0	21	
3	1166 - 1168	"	"	"	"	"	"	21	
18	6053 - 6070	"	Wegmann	"	376	"	"	21	
4	6071 - 6074	"	"	"	"	"	"	2.6.21	
6	8086 - 8091	Hmn	Skabo	"	"	"	"	2.6.21	
3	8093 - 8095	"	"	"	"	"	"	2.6.21	
1	8097	"	"	"	"	"	"	21	
1	8099	"	"	"	"	"	"	2.6.21	
3	8100 - 8102	"	"	"	"	"	"	21	
1	8103	"	"	"	"	"	"	2.6.21	
2	8104, 8105	"	"	"	"	"	"	21	
20	1169 - 1188	Oslo	"	1898	B.62	"	"	1.6.21	
16	2911 - 2926	"	"	1899	376	"	"	21	
1	2927	"	"	"	"	"	"	2.6.21	
4	2928 - 2931	"	"	"	"	"	"	21	
1	2932	"	"	"	"	"	"	1.6.21	
10	2933 - 2942	"	"	"	"	"	"	1.6.21	
5	6075 - 6079	"	"	"	"	"	"	1.6.21	
2	8121, 8122	Hmn	"	"	"	"	"	1.6.21	
2	8123, 8124	"	"	"	"	"	"	21	
1	8125	"	"	"	"	"	"	2.6.21	

forts.

Antall	Vogn nr.	Distrikt	Fabrikant	Bygge år	Hovedtegning	Gulv-	Rum-	Brems, opvarming, belysning m.v. Se side 6	Anm.
						flate	innhold		
						m ²	m ³		
1	8126	Hmr	Skabo	1899	376	16,1	34,0	1.6.21	
2	8127, 8128	"	"	"	"	"	"	21	
4	8129-8132	"	"	"	"	"	"	1.6.21	
1	8133	"	"	"	"	"	"	21	
1	8134	"	"	"	"	"	"	2.6.21	
3	8135-8137	"	"	"	"	"	"	1.6.21	
1	8138	"	"	"	"	"	"	21	
2	3179, 3180	Oslo	Strømmen	1900/01	"	"	"	2.6.21	
4	3181-3184	"	"	"	"	"	"	2.6.21	Innredn. for kjøttransport.
46	3185-3230	"	"	"	"	"	"	2.6.21	
1	3231	"	"	"	"	"	"	2.6.21	
27	3232-3258	"	"	"	"	"	"	2.6.21	
2	3259, 3260	"	Skabo	1901	"	"	"	21	
14	3262-3275	"	"	"	"	"	"	21	
1	3276	"	"	"	"	"	"	21	
7	3277-3283	"	"	"	"	"	"	21	
4	3284-3287	"	"	"	"	"	"	1.6.21	
10	3288-3297	"	Eidsfos	"	"	"	"	1.6.21	
3	3298-3300	"	"	"	"	"	"	2.6.21	
2	3301, 3302	"	"	"	"	"	"	2.6.21	Innredn. for melketransport.
2	3303, 3304	"	"	"	"	"	"	2.6.21	
1	3305	"	"	"	"	"	"	2.6.21	- " - " - " -
1	3307	"	"	"	"	"	"	2.6.21	
6	10298-10303	Thm.	Skabo	"	"	"	"	21	
8	14168-14175	Brg.	Strømmen	1905	"	"	"	1.21	
8	10304-10311	Thm.	Skabo	1906	"	"	"	21	
1	10313	"	"	"	"	"	"	21	
9	1189-1197	Oslo.	"	1907	B.62	"	"	1.6.21	
4	1199-1202	"	Hovedb ^{S.V.}	1908	"	"	"	1.6.21	
6	3308-3313	"	Eidsfos	"	376	"	"	21	
11	1203-1213	"	Hovedb ^{S.V.}	1909	B.62	"	"	1.6.21	
7	9230-9236	Brg.	Skabo	"	376	"	"	1.21	
1	9238	"	"	"	"	"	"	1.21	
6	9240-9245	"	"	"	"	"	"	1.21	
2	9246, 9247	"	"	"	"	"	"	1.6.21	
2	9248, 9249	"	"	"	"	"	"	1.21	
1	14176	"	"	"	"	"	"	1.6.21	
12	1214-1225	Oslo.	Strømmen	1910	B.62	"	"	1.6.21	
5	1227-1231	"	"	"	"	"	"	1.6.21	
20	2950-2969	"	Skabo	"	376	"	"	21	
20	5074-5093	Hmr.	Strømmen	"	"	"	"	21	
11	7066-7076	Oslo.	Skabo	"	"	"	"	21.	
1	10314	Thm.	Eidsfos	"	"	"	"	1.6.21	
5	10316-10320	"	"	"	"	"	"	1.6.21	

Antall	Vogn nr.	Distrikt	Fabrikant	Bygge år	Hoved- tegning	Gulv- flate	Rum- inn- hold	Bremses, opvarming, belysning m.v. Se side 6	Anm.
						m ²	m ³		
1	10321	Thm.	Eidsfos	1910	376	16,1	34,0	1.6.21	
1	10322	"	"	"	"	"	"	21	
1	10323	"	"	"	"	"	"	1.6.21	
15	10324 - 10338	"	"	"	"	"	"	21	
10	12161 - 12170	"	Srømmen.	"	"	"	"	1.6.21	
6	14177 - 14182	Brg.	Skabo	"	"	"	"	1.6.21	
1	14183	"	"	"	"	"	"	1.6.21.40	Ballast + V.V. = 9,0t.
8	14184 - 14191	"	"	"	"	"	"	1.6.21	
1	14192	"	"	"	"	"	"	1.6.21.40	- " - V.V. = 9,4t.
1	14193	"	"	"	"	"	"	1.6.21	
1	14194	"	"	"	"	"	"	1.6.21.40	- " - V.V. = 9,2t.
2	14195, 14196	"	"	"	"	"	"	1.6.21	

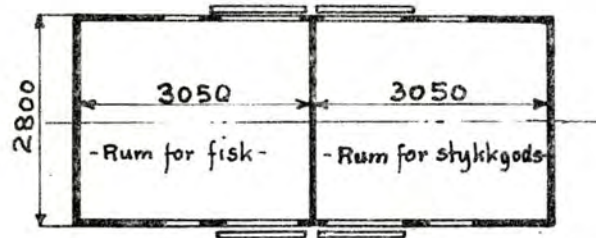
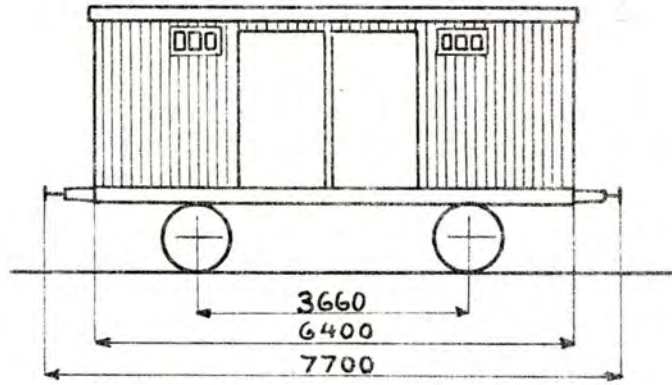


Omtrentl. egenvekt: 7,5 t.

» lasteevne: 9,5 «

Lukket godsvogn

Antall	Vogn nr.	Distrikt	Fabrikant	Bygge år	Hovedtegning	Gulvflate	Ruminnhold	Bremses, opvarming, belysning m.v. Se side 6	Anm.
						m ²	m ³		
1	16327	Drøm	Aadals Brug.	1909 ^y	815, D.2863	18,2	39,2	21	^y Ny vognkasse i Drøm. 1927. Benyttes til papirtransport.



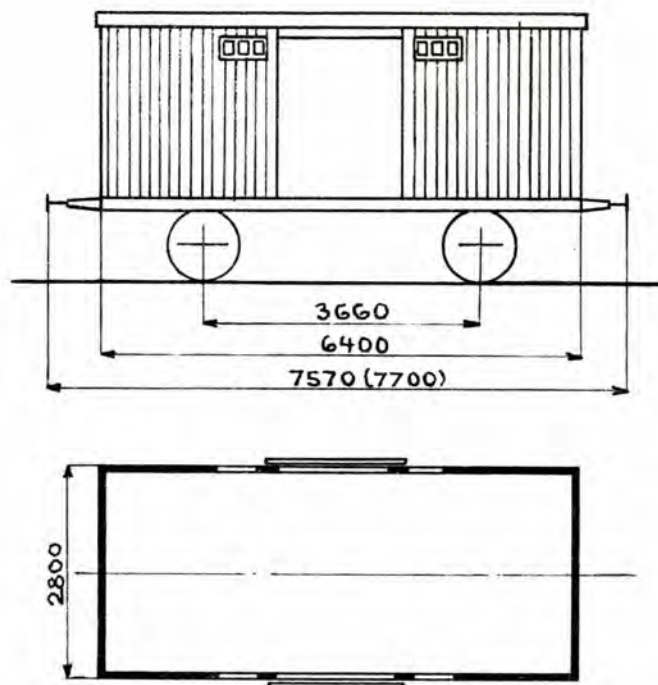
Omtrentl. egenvekt: 8,8 t.

" lastevne: 9,0 "

Lukket godsvogn

Antall	Vogn nr.	Distrikt	Fabrikant	Bygge- år	Hoved- tegning	Gulv- flate	Rum- inn- hold	Bremsar, opvarming, belysning m.v. Se side 6	Anm.
						m ²	m ³		
1	5074	Hmr	Strømmen	1910	376+ BdM1979	16,0	33,8	1H.2.G.21	

G3
TYPE 1



Antall mann 40.
" hester 8.

Omtrentl. egenvekt: 8,0 t.

" lasteevne: 14,5 - 15,0 "

Lukket godsvogn

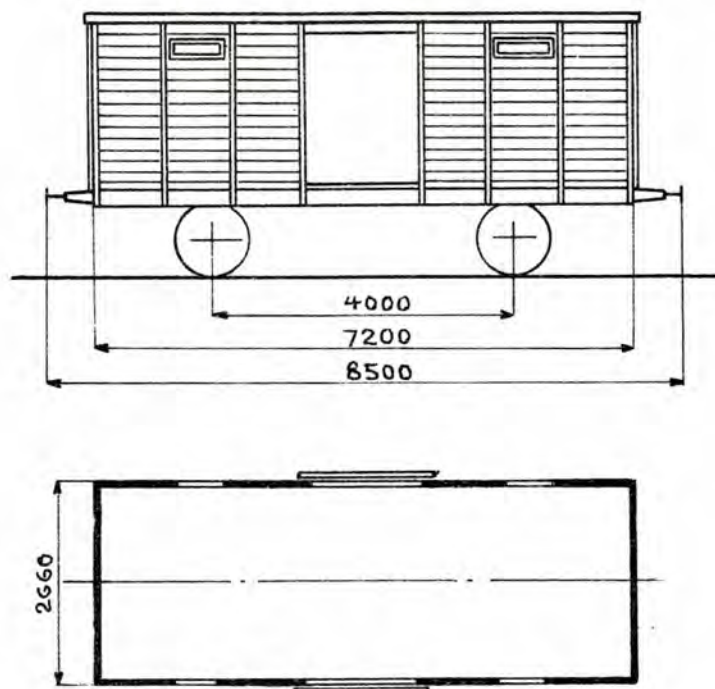
Antall	Vogn nr.	Distrikt	Fabrikant	Bygge år	Hoved-tegning	Gulv-plate		Bremser, opvarming, belysning m.v. Se side 6	Anm.
						m ²	Rum-inn-hold m ³		
7	2943-2949	Oslo	Eidsfos	1908	376	16,1	34,0	2.6.21	
1	3051	"	Skabo	"	"	"	"	1.6.21	
16	3053-3068	"	"	"	"	"	"	1.6.21	
6	3069-3074	"	"	"	"	"	"	2.6.20.21	
5	3076-3080	"	"	"	"	"	"	2.6.20.21	
6	3081-3086	"	"	"	"	"	"	21	
1	3087	"	"	"	"	"	"	2.21	
12	3088-3099	"	"	"	"	"	"	21	
3	3101-3103	"	"	"	"	"	"	21	
1	3104	"	"	"	"	"	"	2.21	
1	3105	"	"	"	"	"	"	21	
12	3107-3113	"	"	"	"	"	"	21	
1	3114	"	"	"	"	"	"	2.21	
4	3115-3118	"	"	"	"	"	"	21	
12	3120-3131	"	Eidsfos	"	"	"	"	2.6.21	
12	8149-8160	Hmr.	Skabo	"	"	"	"	1.6.21	
13	8161-8173	"	"	"	"	"	"	2.6.21	
20	8174-8193	"	Eidsfos	1909	"	"	"	2.6.21	
1	3132	Oslo	"	"	"	"	"	21	
8	3134-3141	"	"	"	"	"	"	21	
7	3143-3149	"	"	"	"	"	"	21	
1	3150	"	"	"	"	"	"	2.21	
10	3151-3160	"	"	"	"	"	"	21	
3	6080-6082	"	"	"	"	"	"	21	
10	6084-6093	"	"	"	"	"	"	21	
1	6094	"	"	"	"	"	"	2.21	
1	6095	"	"	"	"	"	"	21	

Antall	Vogn nr.	Distrikt	Fabrikant	Bygge år	Hovedtegning	Gulv-	Rum-	Bremser, opvarming, belysning m.v. Se side 6	Anm.
						flate	innhold		
						m ²	m ³		
9	6097-6105	Oslo	Eidsfos	1909	376	16,1	34,0	21	
1	6106	"	"	"	"	"	"	2.21	
3	6107-6109	"	"	"	"	"	"	21	
1	6110	"	"	"	"	"	"	2.21	
4	6111-6114	"	"	"	"	"	"	21	
2	15193,15194	Drn.	Strømmen	"	"	"	"	1.6.21	
1	15195	"	"	"	"	"	"	1.6.21	
15	15196-15210	"	"	"	"	"	"	1.6.21	
5	15211-15215	"	Eidsfos	"	"	"	"	21	
1	15216	"	"	"	"	"	"	2.21	
9	15217-15225	"	"	"	"	"	"	21	
5	23380-23384	"	Skabo	"	"	"	"	21	
14	3314-3327	Oslo	Eidsfos	1910	"	"	"	21	
4	3329-3332	"	"	"	"	"	"	21	
1	3333	"	"	"	"	"	"	2.21	
1	3334	"	"	"	"	"	"	21	
11	15226-15236	Drn.	"	"	"	"	"	21	
1	15237	"	"	"	"	"	"	2.21	
13	15238-15250	"	"	"	"	"	"	21	
2	8194, 8195	Hmr.	"	1912	"	"	"	21	
14	5636-5649	Thm.	"	1914	"	"	"	21	
1	5650	"	"	"	"	"	"	2.21	
2	5651, 5652	"	"	"	"	"	"	21	
1	5653	"	"	"	"	"	"	2.21	
12	5654-5665	"	"	"	"	"	"	21	
5	17501-17505	"	"	"	"	"	"	21	
1	17506	"	"	"	"	"	"	2.21	
3	17507-17509	"	"	"	"	"	"	21	
10	12171-12180	"	"	1915	"	"	"	1.6.21	
1	2088	Oslo	Oslo distr.	"	"	"	"	21	
4	8196-8199	Hmr.	Strømmen	1916	"	"	"	21	
1	8200	"	"	"	"	"	"	2.21	
16	8316-8331	"	"	"	"	"	"	21	
1	8332	"	"	"	"	"	"	2.21	
12	8333-8344	"	"	"	"	"	"	21	
1	8345	"	"	"	"	"	"	2.21	
4	8346-8349	"	"	"	"	"	"	21	
1	8350	"	"	"	"	"	"	2.21	
20	8351-8370	"	Eidsfos	"	"	"	"	21	
1	15125	Drn.	Drn.distr.	"	"	"	"	21	
4	14108-14111	Brg.	Eidsfos	1919	"	"	"	1.6.21	
1	14112	"	"	"	"	"	"	1.6.21	
15	14113-14127	"	"	"	"	"	"	1.6.21	
2	23075, 23076	T.P.B.	Strømmen	"	"	"	"	1.6.15.21	
3	23077-23079	"	"	"	"	"	"	1.6.21	
10	15258-15267	Drn.	Eidsfos	1920	"	"	"	1.6.21	
10	15268-15277	"	Strømmen	1921	"	"	"	1.6.21	
15	17169-17183	Oslo	"	"	"	"	"	1.6.21	
14	3345-3358	"	Eidsfos	1922	"	"	"	21	
1	3359	"	"	"	"	"	"	2.6.21	
2	3360, 3361	"	"	"	"	"	"	21	
2	3363, 3364	"	Eidsfos	"	"	"	"	21	
25	20151-20175	Drn.	"	"	"	"	"	1.6.21	
25	20176-20200	"	Strømmen	"	"	"	"	1.6.21	
5	3365-3369	Oslo	Eidsfos	1923	"	"	"	21	
16	8377-8392	Hmr.	Strømmen	"	"	"	"	21	

Ballast+V.V.12,2t.Last 11,0t.

Innredn. for transport av
levende fisk.
V.V. = 9,7 tonn.
Last = 13,0 "

Antall	Vogn nr.	Distrikt	Fabrikant	Bygge år	Hoved- tegnning	Gulv- flate	Rum- inn- hold	Bremses, opvarming, belysning m.v. Se side 6	Anm.
						m ²	m ³		
1	8393	Hmr.	Strømmen	1923	376	16,1	34,0	2. 21	
8	8394-8401	"	"	"	"	"	"	21	
6	10208-10213	Thm.	"	"	"	"	"	21	
1	10214	"	"	"	"	"	"	2. 21	
15	10215-10229	"	"	"	"	"	"	21	
1	10230	"	"	"	"	"	"	2. 21	
2	10231, 10232	"	"	"	"	"	"	21	
10	15278-15287	Drn.	Eidsfos	"	"	"	"	21	
1	15288	"	"	"	"	"	"	2. 21	
14	15289-15302	"	"	"	"	"	"	21	
19	15304-15322	"	Strømmen	"	"	"	"	21	
1	15323	"	"	"	"	"	"	2. 21	
5	15324-15328	"	"	"	"	"	"	21	
3	3370-3372	Oslo	Skabo	1924	"	"	"	21	
1	3373	"	"	"	"	"	"	2. 6. 21	
4	3374-3377	"	"	"	"	"	"	21	
1	3378	"	"	"	"	"	"	2. 6. 21	
6	3379-3384	"	"	"	"	"	"	21	
3	14197-14199	Brg.	"	"	"	"	"	1. 6. 21	
1	14200	"	"	"	"	"	"	1. 6. 21	Stöpt gulv.-Last 13,5t.
7	14201-14207	"	"	"	"	"	"	1. 6. 21	
1	14208	"	"	"	"	"	"	1. 6. 21	" " --- 13,5t.
5	14209-14213	"	"	"	"	"	"	1. 6. 21	
2	14214, 14216	"	"	"	"	"	"	1. 6. 21	" " --- 13,5t.
1	14215	"	"	"	"	"	"	1. 6. 21	
5	14217-14221	"	"	"	"	"	"	1. 6. 21	
3	15355-15357	Drn.	"	"	"	"	"	21	
1	15358	"	"	"	"	"	"	2. 21	
1	15359	"	"	"	"	"	"	21	
1	15359	"	"	"	"	"	"	2. 21	
1	15360	"	"	"	"	"	"	21	
1	15361	"	"	"	"	"	"	21	
10	3385-3394	Oslo	"	1925	"	"	"	1. 6. 21	
5	14222-14226	Brg.	"	"	"	"	"	21	
13	15362-15374	Drn.	"	"	"	"	"	21	
8	3171-3178	Oslo	"	1926	"	"	"	1. 6. 21	
20	3581-3600	"	"	"	"	"	"	1. 6. 21	
10	5437-5446	Hmr.	Aadals Brug	"	"	"	"	1. 6. 21	
11	8290-8300	"	Skabo	"	"	"	"	21	
9	8422-8430	"	"	"	"	"	"	21	
20	10339-10358	Thm.	Eidsfos	"	"	"	"	1. 6. 21	
16	20775-20790	Drn.	Skabo	"	"	"	"	1. 6. 21	
3	20791-20793	"	"	"	"	"	"	1. 6. 21. 40	
1	20794	"	"	"	"	"	"	1. 6. 21. 40	
2	3579, 3580	Oslo	"	1927	"	"	"	1. 6. 21	
5	5447- 5451	Hmr.	"	"	"	"	"	1. 6. 21	
6	5452- 5457	"	"	"	"	"	"	21	
1	5458	"	"	"	"	"	"	2. 6. 21	
8	5459-5466	"	"	"	"	"	"	21	
20	15383-15402	Drn.	Eidsfos	1928	"	"	"	1. 6. 21	



Omtrentl. egenvekt: 8,2 t.

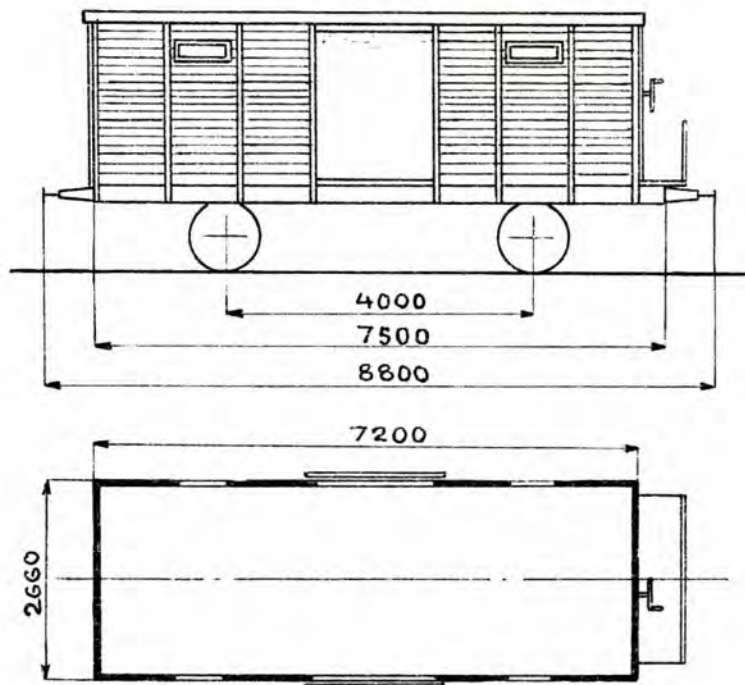
» lasteevne: 12,5 - 14,5 "

Lukket godsvogn

Antall	Vogn nr.	Distrikt	Fabrikant	Bygge år	Hoved-tegning	Gulv-plate	Rum-innhold	Bremsar, opvarming, belysning m.v. Se side 6	Anm.
						m ²	m ³		
2	31026, 31027	Oslo	}	x)		18,6	37,9	24	
2	31028, 31029	"				"	24		
2	31030, 31031	"				"	24		
2	31032, 31033	"				"	24		
2	31034, 31035	"				"	24		
2	31036, 31037	"				"	24		
2	31038, 31039	"				"	24		
2	31040, 31041	"				"	24		
2	31042, 31043	"				"	24		
2	31044, 31045	"				"	24		
2	31046, 31047	"				"	24		
2	31048, 31049	"				"	24		
2	31051, 31052	"				"	24		
2	31053, 31054	"				"	24		
2	31055, 31056	"				"	24		
2	31057, 31058	"				"	24		
2	32041, 32043	"				"	24		
2	32044, 32053	"				"	24		

x) Innkjøpt fra Tyskland 1915

G₃
TYPE 3



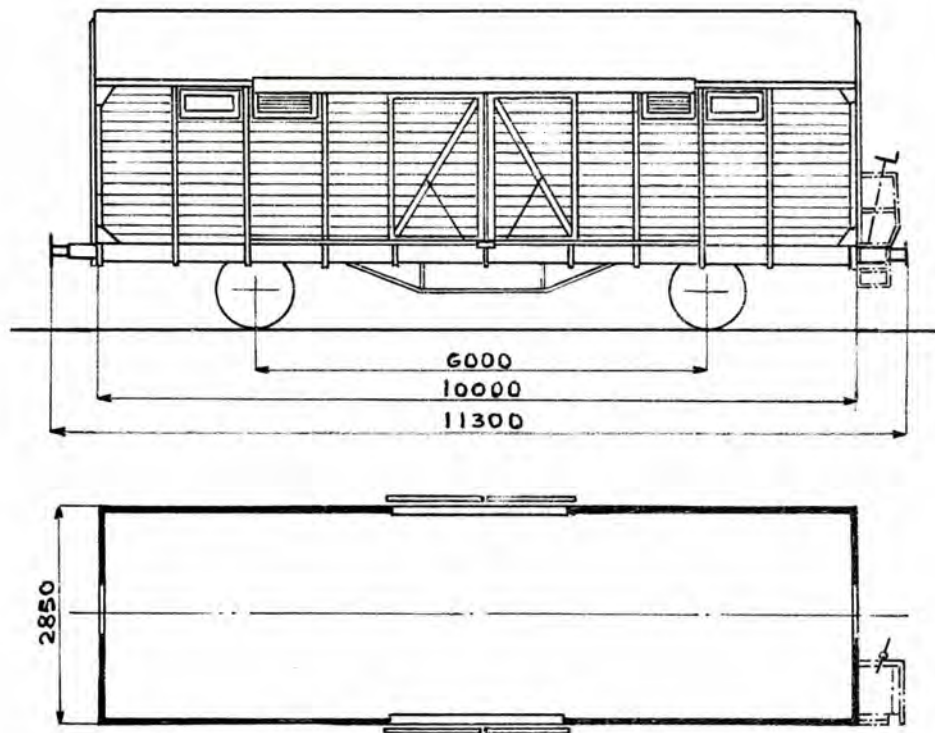
Omtrentl. egenvekt: 9,0 t.

» lasteevne: 14,0 t

Lukket godsvogn

Antall	Vogn nr.	Distrikt	Fabrikant	Bygge år	Hoved-tegning	Gulv- flate	Rum- inn- hold	Bremsar, oppvarming, belysning m.v. Se side 6	Anm.
						m ²	m ³		
1	31005	Oslo	x/	x/		18,6	37,9	3,24	

x/ Innkjøpt fra Tyskland 1915.



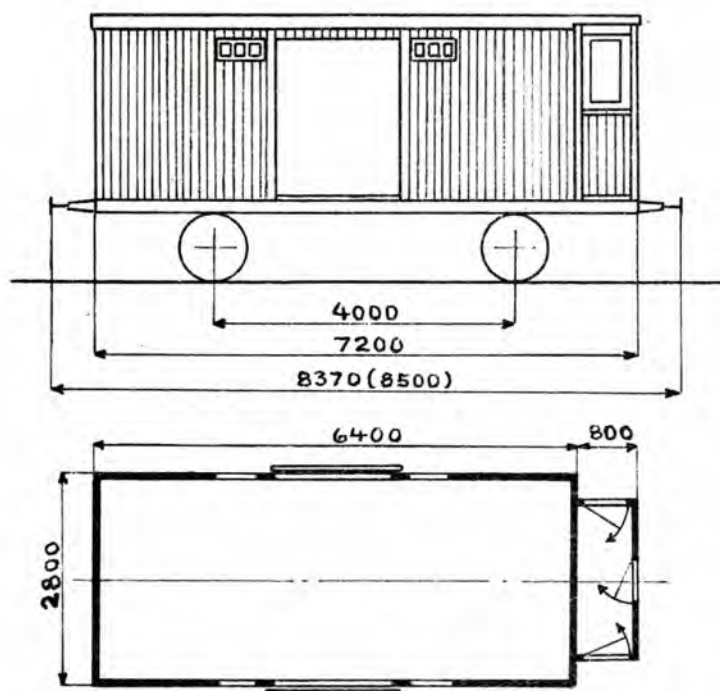
Omtrentl. egenvekt: 11,5 t.

» lasteevne: 17,5 - 18,0 "

Lukket godsvogn

Antall	Vogn nr.	Distrikt	Fabrikant	Bygge år	Hoved-tegning	Gulv-plate	Rum-inn-hold	Bremsar, opvarming, belysning m.v. Se side 6	Anm.
						m ²	m ³		
25	15408-15432	Drn.	Strømmen	1932	3300	27,7	58,0	2.6.21.24.35	
15	15433-15447	"	Skabo	1934/35	"	"	"	2.6.21.24.35	
20	15461-15480	"	Strømmen	"	"	"	"	21.24	
10	15481-15490	"	Eidsfos	"	"	"	"	21.24	
5	15496-15500	"	Skabo	"	3300+ 3570	"	"	1.3.6.24.35	
10	17184-17193	Oslo	"	"	"	"	"	1.1kk.2.3.6.24.35	
10	17194-17203	"	Eidsfos	"	"	"	"	1.1kk.2.3.6.24.35	
25	17204-17228	"	Strømmen	"	3735+ 3570	"	"	1.1H.2.3.6.24.35	
25	17229-17253	"	Eidsfos	"	"	"	"	2.3.6.15.24.35	
25	17254-17278	"	Strømmen	1936	"	"	"	1.1H.2.3.6.24.35	
25	17279-17303	"	"	"	"	"	"	1.1H.2.3.6.24.35	
25	17304-17328	"	Eidsfos	"	"	"	"	1.1H.2.3.6.24.35	

Forts.



Omtrentl. egenvekt: 7,5 - 8,5 t.

" lasteevne: 9,5"

Lukket godsvogn

Antall	Vogn nr.	Distrikt	Fabrikant	Bygge år	Hovedtegning	Gulvflate	Ruminnhold	Bremses, opvarming, belysning m.v. Se side 6	Anm.
						m ²	m ³		
1	2114	Oslo	Strømmen	1897	376+387	16,1	34,0	3	Kjølevognsinnredning, iskurver.
5	8109 - 8113	Hmr.	"	"	"	"	"	3.6	
2	6251 , 6252	Oslo	"	1898	"	"	"	2.3.6.15.20.35	
5	6254 - 6258	"	"	"	"	"	"	2.3.6.15.20.35	
2	6259 , 6260	"	"	"	"	"	"	3	
9	6262 - 6270	"	"	"	"	"	"	3	
2	2832 , 2838	"	Skabo	1899	"	"	"	3	
2	8115 , 8116	Hmr.	"	"	"	"	"	2.3.6.20	
1	8118	"	"	"	"	"	"	2.3.6.20	
1	8119	"	"	"	"	"	"	2.3.6	
1	8120	"	"	"	"	"	"	2.3.6.20	
2	12151 , 12152	Thm.	Strømmen	1900	"	"	"	3	
7	12154 - 12160	"	"	"	"	"	"	3	
1	10151	"	Skabo	1901	"	"	"	3	
8	10153 - 10160	"	"	"	"	"	"	3	
3	3451 - 3453	Oslo	Eidsfos	1905	"	"	"	2.3.6	Kjølevognsinnredning, iskurver
2	3454 , 3455	"	"	"	"	"	"	2.3.6.15.20.35	
2	6272 , 6273	"	"	"	"	"	"	3	
1	6275	"	"	"	"	"	"	3	
1	8139	Hmr.	"	"	"	"	"	2.3.6.20	
1	8140	"	"	"	"	"	"	2.3.6.	

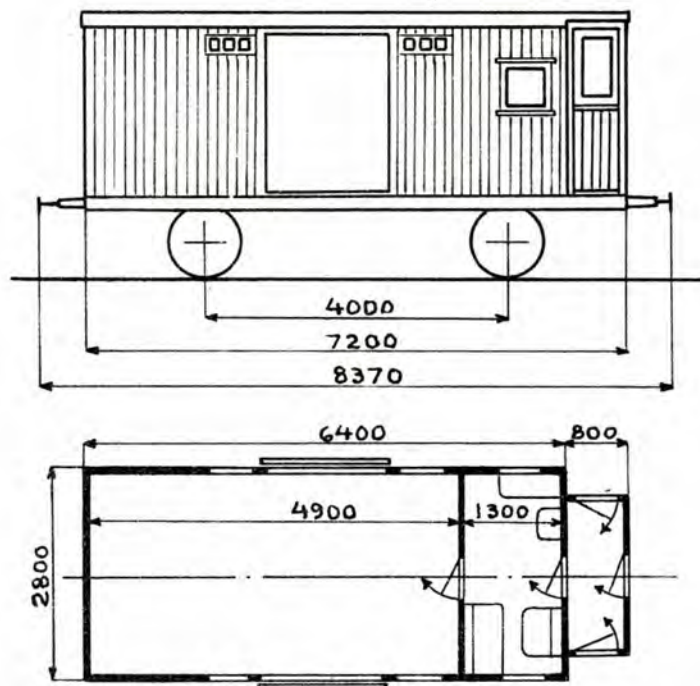
forts.

Gf2

TYPE 1 (forts)

Antall	Vogn nr.	Distrikt	Fabrikant	Bygge år	Hoved- tegning	Gulv- flate		Bremser, opvarming, belysning m.v. Se side 6	Anm.
						m ²	Rum- inn- hold m ³		
1	8141	Hmr.	Eidsfos	1905	376+387	16,1	34,0	3.6	
1	8142	"	"	"	"	"	"	2.3.6.20	
1	8143	"	"	"	"	"	"	2.3.6	
1	8144	"	"	"	"	"	"	2.3.6.20	
2	8145 , 8146	"	"	"	"	"	"	3.6	
2	8147 , 8148	"	"	"	"	"	"	2.3.6.20	
1	14059	Brg.	Strømmen	1906	"	"	"	1.3	{Hjulsatsenes avstand fra endebjelkene: Ved bremse- huset 1850 mm., i vognens annen ende 1350 mm.

Gf2
TYPE 3



Antall mann 24
" hester 4

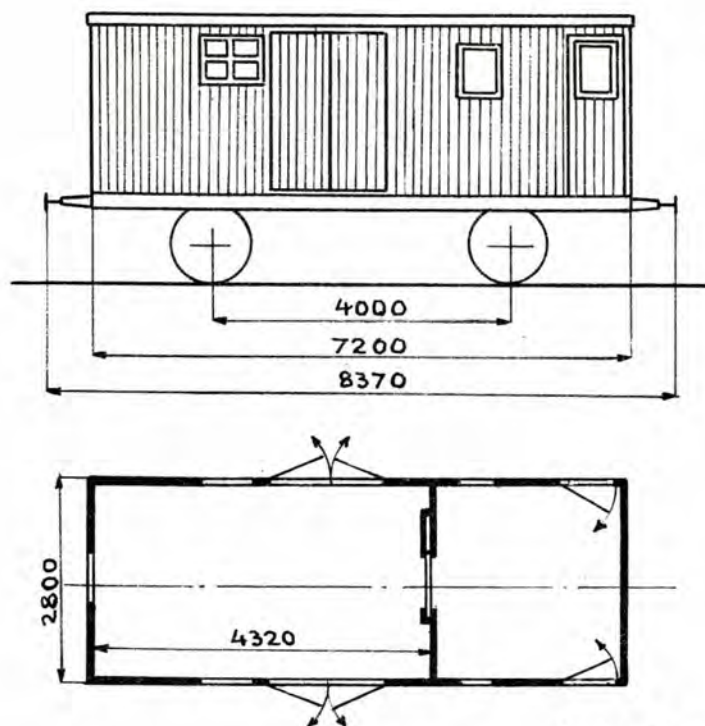
Omtrentl. egenvekt: 8,2 t.

" lasteevne: 9,0 "

Lukket godsvogn

Antall	Vogn nr.	Distrikt	Fabrikant	Bygge år	Hovedtegning	Gulvflate	Ruminnhold	Bremses, opvarming, belysning m.v. Se side 6	Anm.
						m ²	m ³		
2	2111, 2112	Oslo	Strømmen	1897	376+387 ^y	13,0	26,8	3.6.8.13	
1	2113	"	"	"	"	"	"	3.8.13	
1	6261	"	"	1898	"	"	"	3.8.13	
2	2831, 2834	"	Skabo	1899	"	"	"	3.8.13	
1	2836	"	"	"	"	"	"	3.8.13	
1	2839	"	"	"	"	"	"	3.8.13	
2	6271, 6274	"	Eidsfos	1905	"	"	"	3.8.13	
2	14051, 14052	Brg.	Skabo	"	"	"	"	1.3.8.13	
5	14053 - 14057	"	Strømmen	1906	"	"	"	1.3.8.13	

^yEndel av godsrummet innredet som konduktørrum - i 1918



Omtrentl. egenvekt: 7,2 t.

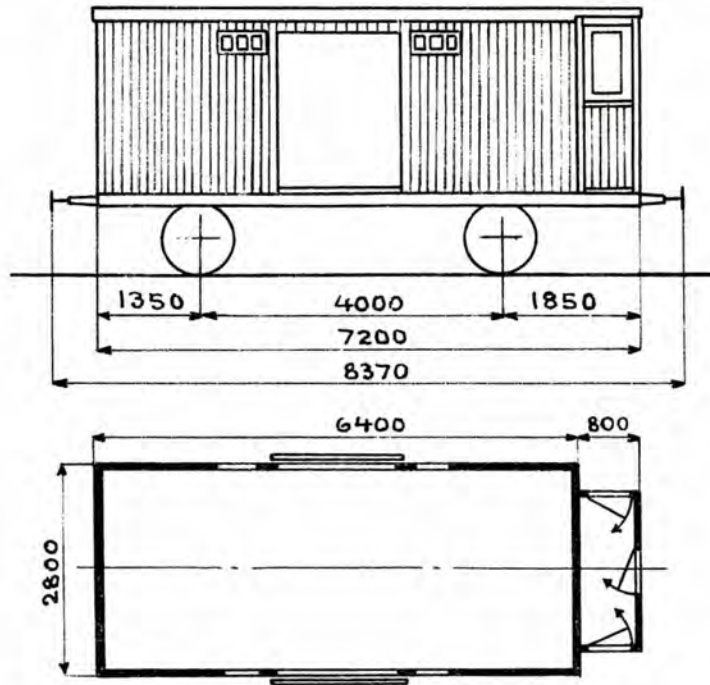
» lasteevne: 9,0 «

Lukket godsvogn

Antall	Vogn nr.	Distrikt	Fabrikant	Bygge år	Hovedtegning	Gulvflate	Ruminnhold	Brems, opvarming, belysning m.v. Se side 6	Anm.
						m ²	m ³		
1	11101	Oslo	Strømmen	1899	376+387 ^y	11,2	25,9	2.3.6.8	
1	11102	"	"	"	"	"	"	1.3.6.8	
1	11103	"	"	"	"	"	"	2.3.6.8	
1	11104	"	"	"	"	"	"	1.3.6.8	
1	11106	"	"	"	"	"	"	1.3.6.8	

^y Senere forandret ved Hovedbanens verksted

Gf3
TYPE 1



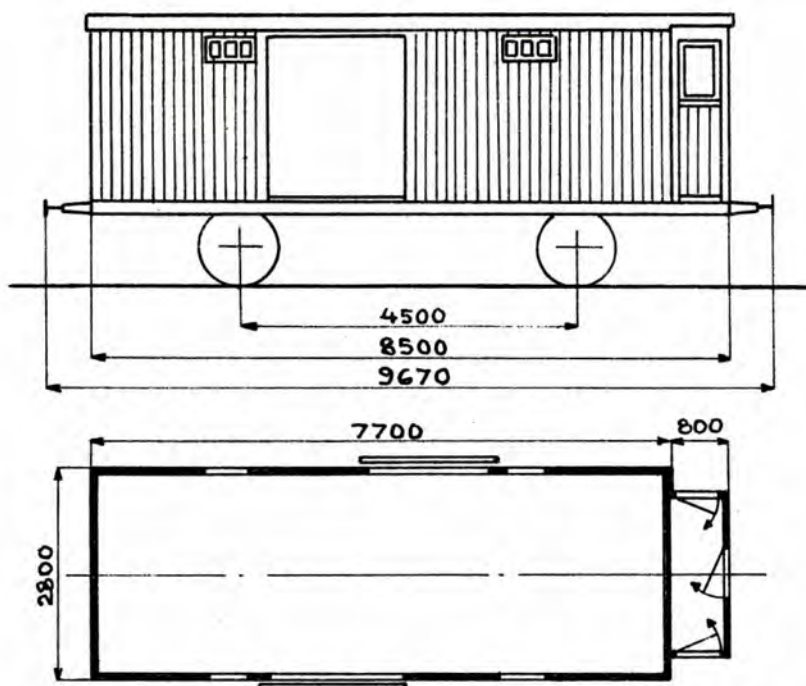
Antall mann 40.
" hester 8.

Omtrentl. egenvekt: 8,2 t.

" lasteevne: 14,5 t.

Lukket godsvogn

Antall	Vogn nr.	Distrikt	Fabrikant	Bygge år	Hoved-tegning	Gulv-plate	Rum-inn-hold	Bremses, opvarming, belysning m.v. Se side 6	Anm.
						m ²	m ³		
1	6276	Oslo	Eidsfos	1909	376+387	16,1	34,0	2.3.6	{ Innredning for transport av levende fisk { ————— » —————
1	6277	"	"	"	"	"	"	2.3.5.8	
1	6278	"	"	"	"	"	"	3	
1	6279	"	"	"	"	"	"	2.3.5.15	
6	6280 - 6285	"	"	"	"	"	"	3	
1	6286	"	"	"	"	"	"	2.3.6	
1	6287	"	"	"	"	"	"	3	



Antall mann 40
" hester 8

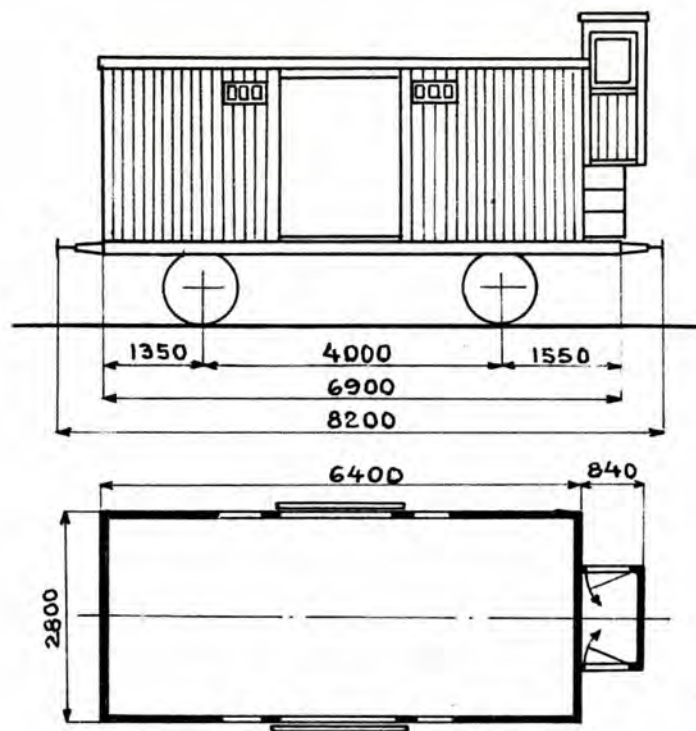
Omtrentl. egenvekt: 9,5 t.

" lasteevne: 13,5 "

Lukket godsvogn

Antall	Vogn nr.	Distrikt	Fabrikant	Bygge år	Hoved-tegning	Gulv-plate	Rum-inn-hold	Bremsar, opvarming, belysning m.v. Se side 6	Anm.
						m ²	m ³		
3	13011 - 13013	Nrv.	Strømmen	1902	648	19,5	41,1	1w.3.24	
1	13016	"	"	"	"	"	"	1w.3.24	
1	13017	"	"	"	"	"	"	1w.3.6.24	
3	13018 - 13020	"	"	"	"	"	"	1w.3.24	

Gf3
TYPE 3



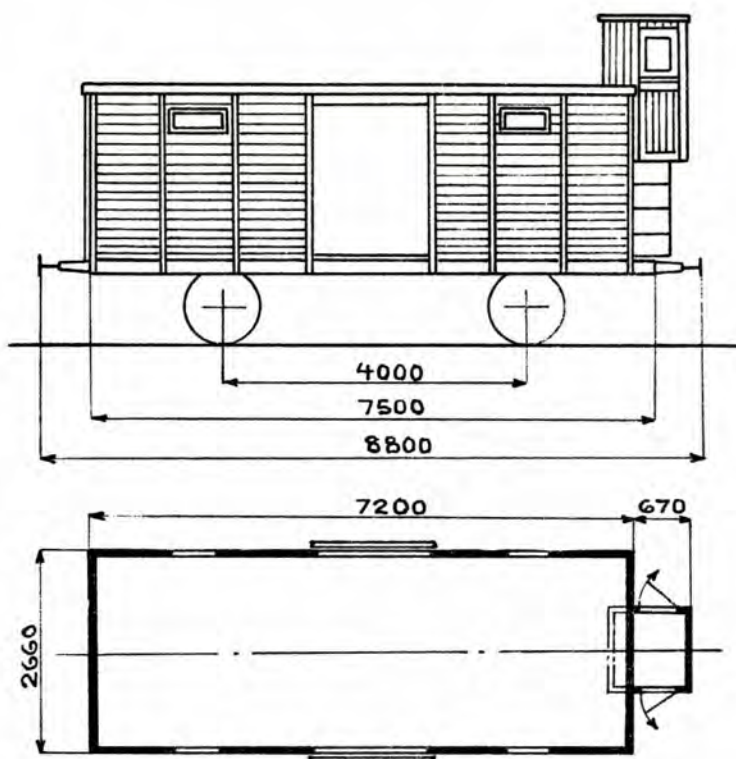
Antall mann 40.
" hester 8.

Omtrentl. egenvekt: 8,5 t.

" lasteevne: 14,5 t

Lukket godsvogn

Antall	Vogn nr.	Distrikt	Fabrikant	Bygge år	Hoved-tegning	Gulv-plate	Rum-innhold	Bremses, opvarming, belysning m.v. Se side 6	Anm.
						m ²	m ³		
12	5666 - 5677	Thm.	Eidsfos	1915	376 + bremseshus	16,1	34,0	3	
7	5094 - 5100	Hmr.	"	1916	"	"	"	3	
2	14090, 14091	Brg.	"	"	"	"	"	3	
1	14092	"	"	"	"	"	"	2.3.6	
7	14093 - 14099	"	"	"	"	"	"	3	
30	10161 - 10190	Thm.	Strømmen	1917	"	"	"	3	
3	23065 - 23067	T.P.B.	Skabo	1918	"	"	"	3.15	
7	23068 - 23074	"	"	"	"	"	"	3	
10	3161 - 3170	Oslo	Strømmen	1919	"	"	"	3	
5	6288 - 6292	"	"	"	"	"	"	3	
10	10198 - 10207	Thm.	"	"	"	"	"	3	
3	16551 - 16553	Drm.	"	"	"	"	"	3	
5	17151 - 17155	Oslo	"	"	"	"	"	3	
4	17532 - 17535	Thm.	"	"	"	"	"	3	
10	20753 - 20762	Drm.	"	"	"	"	"	3	
15	6115 - 6129	Oslo	"	1921	"	"	"	3	



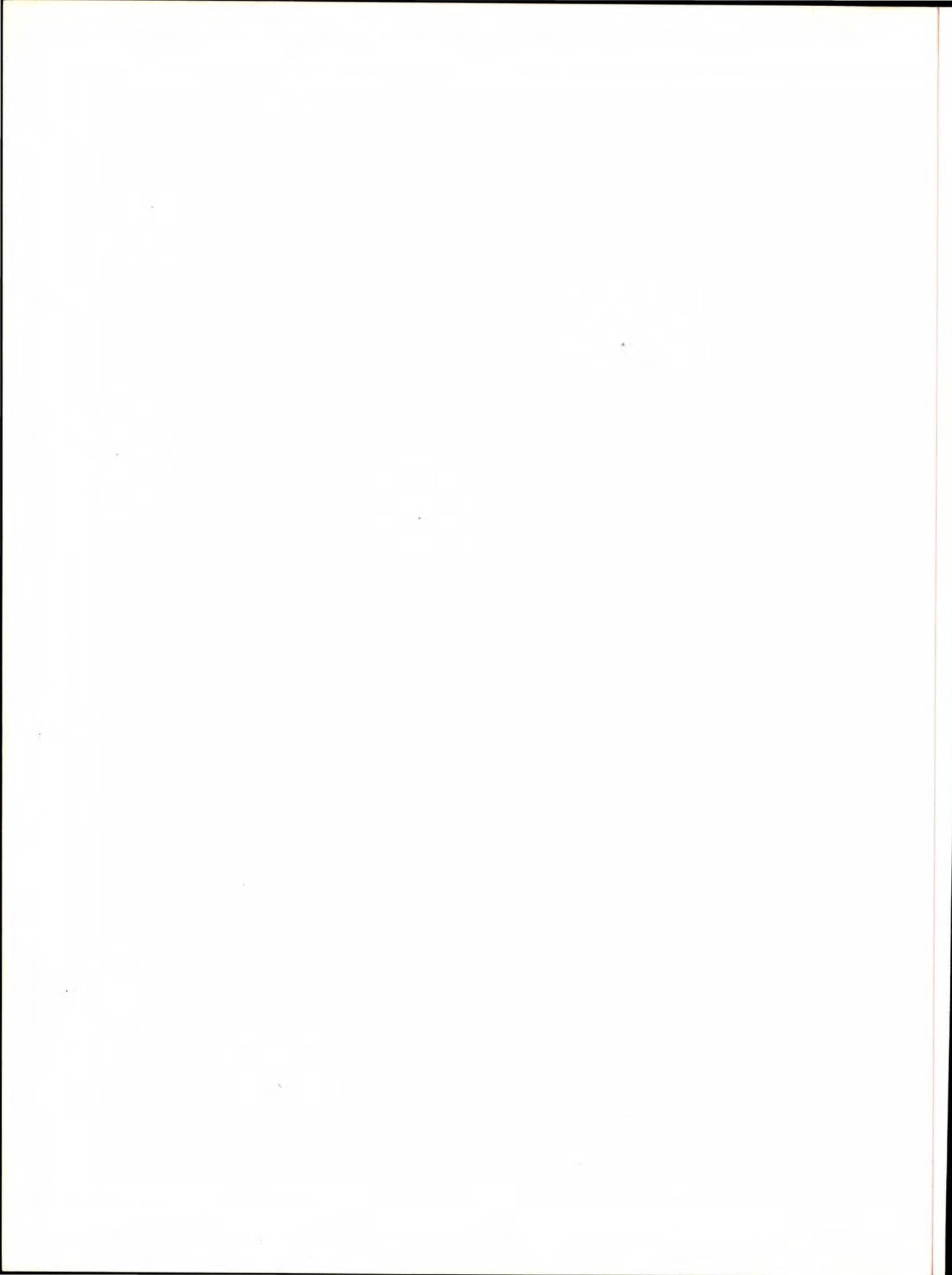
Omtrentl. egenvekt: 9,0 t.

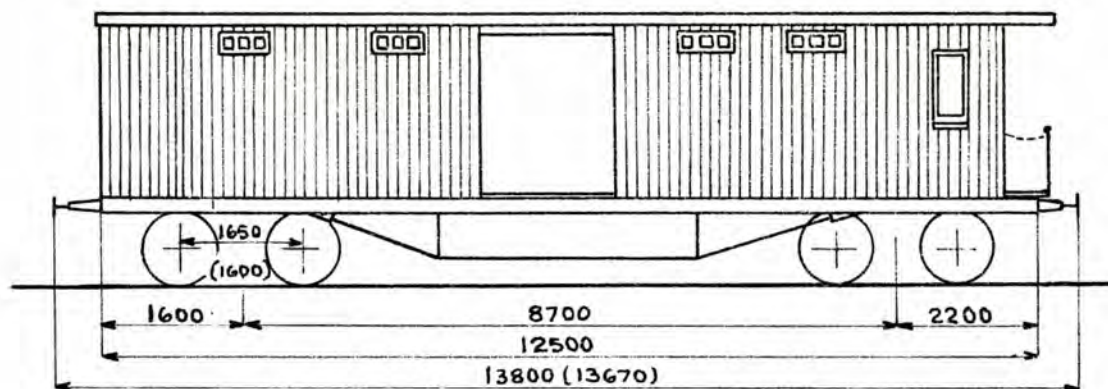
» lasteevne: 12,0-14,0 »

Lukket godsvogn

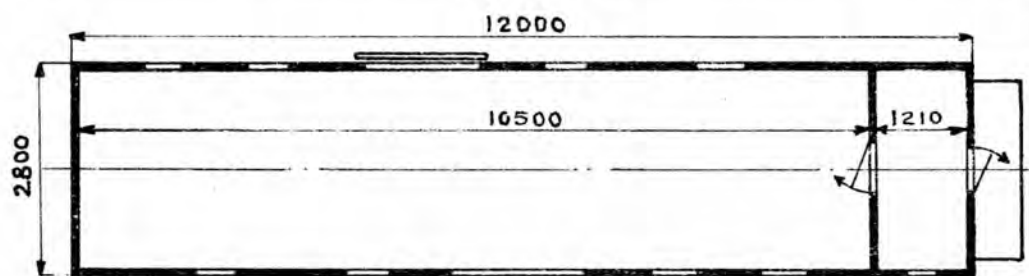
Antall	Vogn nr.	Distrikt	Fabrikant	Bygge år	Hoved-tegning	Gulv-plate	Rum-inn-hold	Bremses, opvarming, belysning m.v. Se side 6	Anm.
						m ²	m ³		
2	31001, 31002	Oslo	x)	x)		18,6	37,9	3.24	
2	31003, 31004	"				"	"		
2	31006, 31007	"				"	"		
2	31003, 31009	"				"	"		
1	31010	"				"	"		
2	31011, 31012	"				"	"		
1	32024	"				"	"		

x) Innkjøpt fra Tyskland 1915.



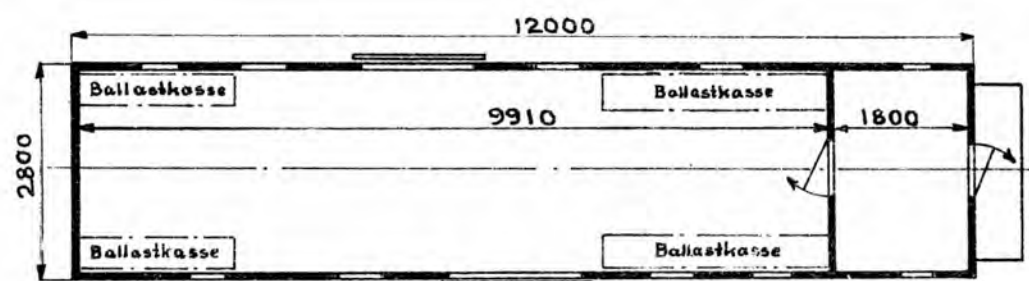


Antall mann 64.
" hester 8.



Grunnriss 1.

Antall mann 54.



Grunnriss 2.

Omtrentl. egenvekt: 15,5t.

" lasteevne: 19,0 "

Lukket godsvogn

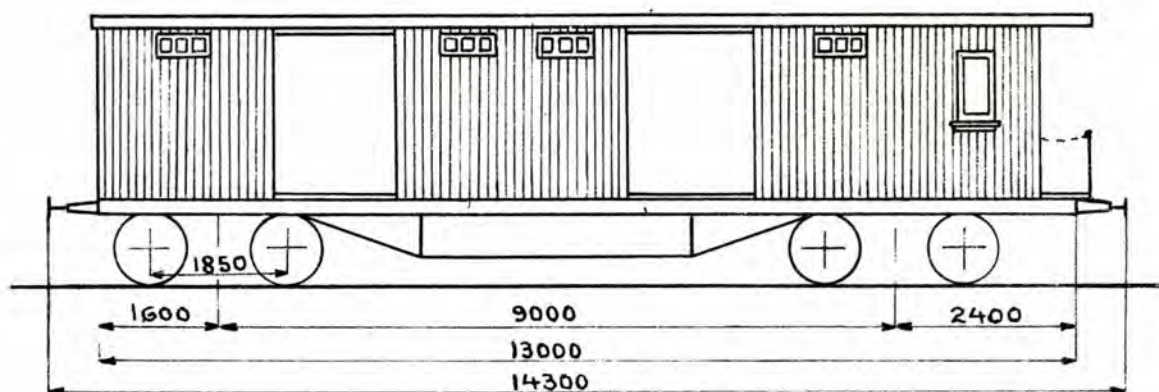
Antall	Vogn nr.	Distrikt	Fabrikant	Bygge år	Hovedtegning	Gulv-	Rum-	Brems, opvarming, belysning m.v. Se side 6	Anm.
						flate	inn-		
						m ²	m ³		
1	6201	Oslo	Strømmen	1915	770	25,8	56,8	3.8.13	Griss 2 Ballast+v.v.-32,0t. Last-3,0t.
1	6202	"	"	"	"	"	"	3.8.13	" 2 " -27,0t. " -8,0t.
1	6204	"	"	"	"	"	"	3.8.13	" 2 " -21,8t. " -13,0t.
1	14100	Brg.	"	1916	"	27,3	57,8	1.3.6.8.13	" 1
1	14101	"	"	"	"	"	"	1.3.6.8.13	" 1 Ballast+v.v.-23,0t. Last-12,0t.
1	14102	"	"	"	"	"	"	1.3.6.8.13	" 1
1	14103	"	"	"	"	"	"	1.3.6.8.13	" 1
1	14104	"	"	"	"	"	"	1.3.6.8.13	" 1
1	14105	"	"	"	"	"	"	1.3.6.8.13	" 1
1	14106	"	"	"	"	"	"	1.3.6.8.13	" 1
1	14107	"	"	"	"	"	"	1.3.6.8.13	" 1
1	6205	Oslo	"	1917	"	25,8	56,8	3.8.13	" 2 Ballast+v.v.-21,2t. Last-13,5t.

forts.

Gfo2

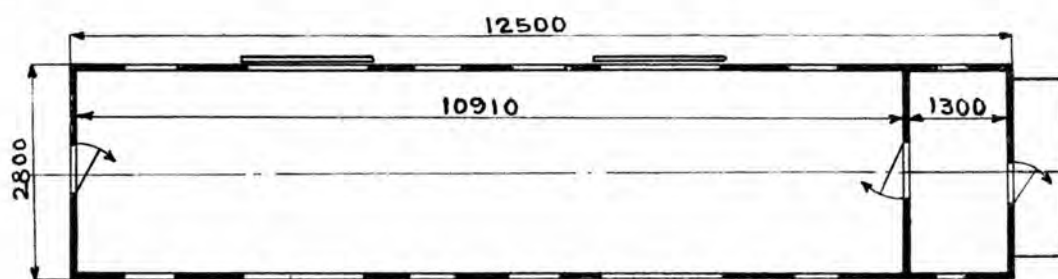
TYPE 1 (forts)

Antall	Vogn nr.	Distrikt	Fabrikant	Bygge år	Hoved- tegning	Gulv- flate	Rum- inn- hold	Bremses, opvarming, belysning m.v. Se side 6	Anm.	
						m ²	m ³			
1	6206	Oslo	Strømmen	1917	770	25,8	56,8	3.8.13	Gr.riss 2	Ballast+vv=27,ot.vv=8,ot.
1	6207	"	"	"	"	"	"	3.8.13	" 2	" " 21,ot. " 13,ot.
1	6208	"	"	"	"	"	"	3.8.13	" 2	" " 27,ot. " 8,ot.
1	10191	Thm.	"	"	"	27,3	57,8	2.3.6.8.13	" 1	
1	10192	"	"	"	"	"	"	2.3.6.8.13	" 1	
1	10193	"	"	"	"	"	"	2.3.6.8.13	" 1	
1	10194	"	"	"	"	"	"	2.3.6.8.13	" 1	
1	12181	"	"	"	"	"	"	2.3.6.8.13	" 1	
1	12182	"	"	"	"	"	"	2.3.8.13	" 1	
1	12183	"	"	"	"	"	"	2.3.8.13	" 1	
1	6209	"	"	1918	"	25,8	56,8	3.8.13	" 2	Ballast+vv=22,4t.vv=12,ot.
1	6210	"	"	"	"	"	"	3.8.13	" 2	" " 22,ot. " 13,ot.
1	15251	Drm.	"	"	"	"	"	2.3.6.8.13	" 2	" " 25,ot. " 9,ot.
1	15252	"	"	"	"	"	"	2.3.6.8.13	" 2	" " 25,4t. " 9,ot.
1	15253	"	"	"	"	27,3	57,8	3.8.13	" 1	
1	15254	"	"	"	"	"	"	3.8.13	" 1	
1	15255	"	"	"	"	25,8	56,8	3.8.13	" 2	Ballast+vv=30,ot.Last=5,ot.
1	15256	"	"	"	"	"	"	3.8.13	" 1	" " 30,ot. " 5,ot.
1	10195	"	"	1919	"	27,3	57,8	2.3.6.8.13	" 1	
1	10196	"	"	"	"	"	"	2.3.6.8.13	" 1	
1	15257	Drm.	"	"	"	"	"	3.8.13	" 1	Ballast+vv=19,7t.Last=14,ot.
1	20764	"	"	"	"	"	"	3.8.13	" 1	
1	20765	"	"	"	"	"	"	3.8.13	" 1	
1	20766	"	"	"	"	"	"	3.8.13	" 1	
1	23080	T.P.B.	"	"	"	"	"	3.8.13.15	" 2	



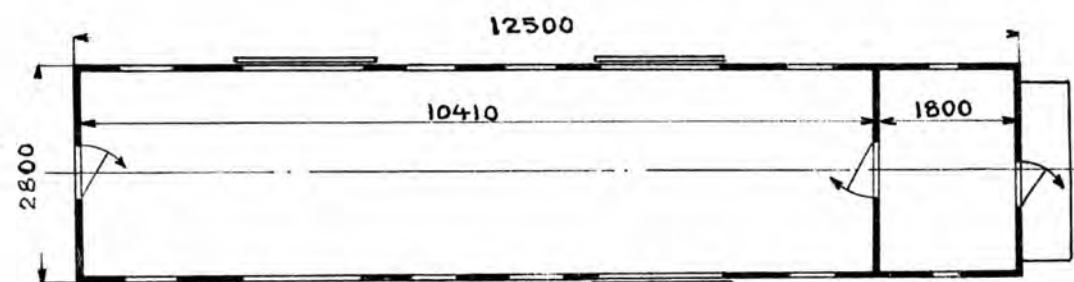
Grunnriss 1.

Antallmann: 64.
" hester: 12.



Grunnriss 2.

Antall mann: 60.
" hester: 8.



Omtrentl. egenvekt: 17,5 t.

" lastevne: 17,0 "

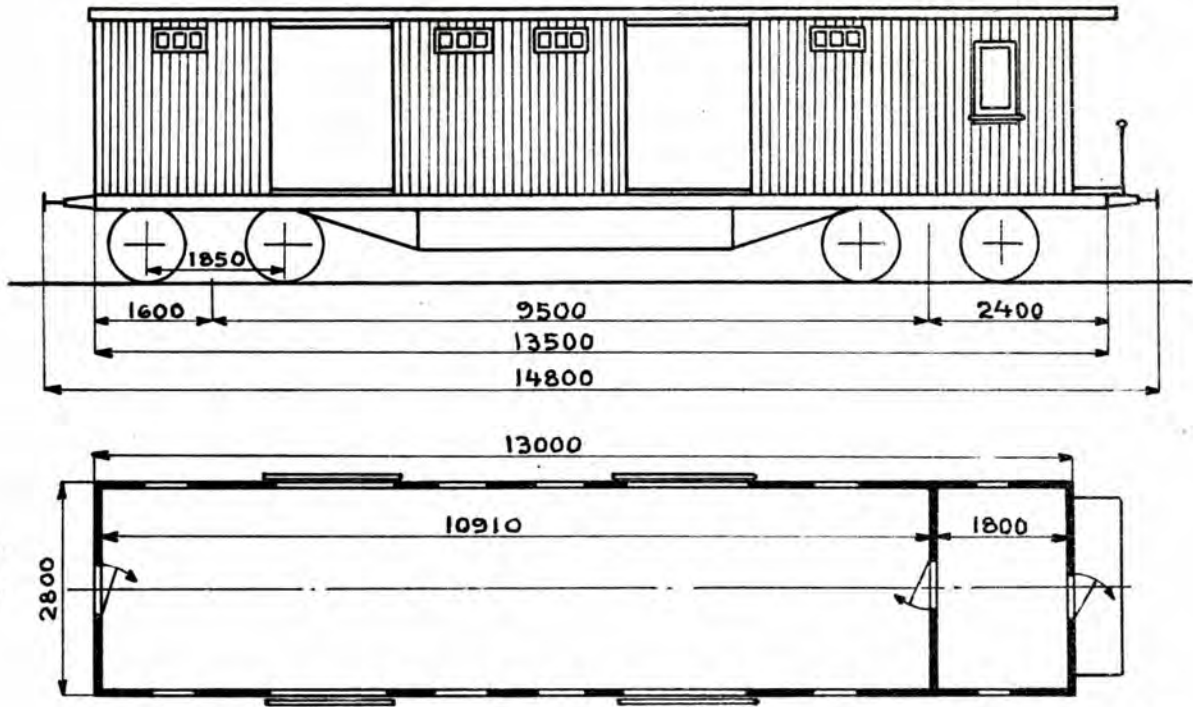
Lukket godsvogn

Antall	Vogn nr.	Distrikt	Fabrikant	Bygge år	Hoved-tegning	Gulv-plate	Rum-innhold	Brems, opvarming, belysning m.v. Se side 6	Anm.
						m ²	m ³		
1	3335	Oslo	Skabo	1923	26,33	28,4	60,4	1. 3. 6. 8. 13	Gr.riss 1
1	3336	"	"	"	"	"	"	1. 3. 6. 8. 13	" 1
1	3337	"	"	"	"	"	"	1. 3. 6. 8. 13	" 1
1	3338	"	"	"	"	"	"	1. 3. 6. 8. 13	" 1
1	3339	"	"	"	"	"	"	1. 3. 6. 8. 13	" 1
1	3340	"	"	"	"	"	"	1. 3. 6. 8. 13	" 1 Ballast+v.v.=25,6t. Last=9,5t.
1	3341	"	"	"	"	"	"	1. 3. 6. 8. 13	" 1
1	3342	"	"	"	"	"	"	1. 3. 6. 8. 13	" 1
1	3343	"	"	"	"	"	"	1. 3. 6. 8. 13	" 1 Ballast+v.v.=27,0t. Last=8,0t.
1	3344	"	"	"	"	"	"	1. 3. 6. 8. 13	" 1
1	5149	Hmr.	"	"	"	"	"	1. 3. 6. 8. 13	" 1
1	5150	"	"	"	"	"	"	1. 3. 6. 8. 13	" 1

Gfo2

TYPE 2 (forts.)

Antall	Vogn nr.	Distrikt	Fabrikant	Bygge år	Hoved-tegning	Gulv- flate	Rum- inn- hold	Brems, opvarming, belysning m.v. Se side 6	Anm.
						m ²	m ³		
1	5151	Hmr.	Skabo	1923	2633	28,4	60,4	1.3.6.8.13	Griss 1
1	5152	"	"	"	"	"	"	1.3.6.8.13	" 1
1	5153	"	"	"	"	"	"	1.3.6.8.13	" 1
1	5701	Thm.	"	"	"	"	"	1.3.6.8.13	" 1
1	5702	"	"	"	"	"	"	1.3.6.8.13	" 1
1	5703	"	"	"	"	"	"	1.3.6.8.13	" 1
1	5704	"	"	"	"	"	"	1.3.6.8.13	" 1
1	5705	"	"	"	"	"	"	1.3.6.8.13	" 1
1	5706	"	"	"	"	"	"	1.3.6.8.13	" 1
1	5707	"	"	"	"	"	"	1.3.6.8.13	" 1
1	5708	"	"	"	"	"	"	1.3.6.8.13	" 1
1	5709	"	"	"	"	"	"	1.3.6.8.13	" 1
1	5710	"	"	"	"	"	"	1.3.6.8.13	" 1
1	5711	"	"	"	"	"	"	1.3.6.8.13	" 1 Ballast+v.v.-26,+Last-8st.
1	5712	"	"	"	"	"	"	1.3.6.8.13	" 1 " -27,ot." = 8,ot.
1	5713	"	"	"	"	"	"	1.3.6.8.13	" 2
1	5714	"	"	"	"	"	"	1.3.6.8.13	" 2
1	5715	"	"	"	"	"	"	1.3.6.8.13	" 2
1	14128	Brg.	"	"	"	"	"	1.3.6.8.13	" 2 Ballast+v.v.-27,ot. Last-8st.
1	14129	"	"	"	"	"	"	1.3.6.8.13	" 2
1	14130	"	"	"	"	"	"	1.3.6.8.13	" 2 Ballast+v.v.-27,ot. Last-8st.
1	14131	"	"	"	"	"	"	1.3.6.8.13	" 1
1	14132	"	"	"	"	"	"	1.3.6.8.13	" 1
1	14133	"	"	"	"	"	"	1.3.6.8.13	" 1
1	14134	"	"	"	"	"	"	1.3.6.8.13	" 1
1	14135	"	"	"	"	"	"	1.3.6.8.13	" 1
1	14136	"	"	"	"	"	"	1.3.6.8.13	" 1
1	14137	"	"	"	"	"	"	1.3.6.8.13	" 1



Antall mann 64.
" hester 12.

Omtrentl. egenvekt: 17,5t.

" lasteevne: 17,0t

Lukket godsvogn

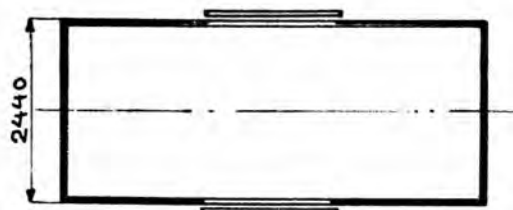
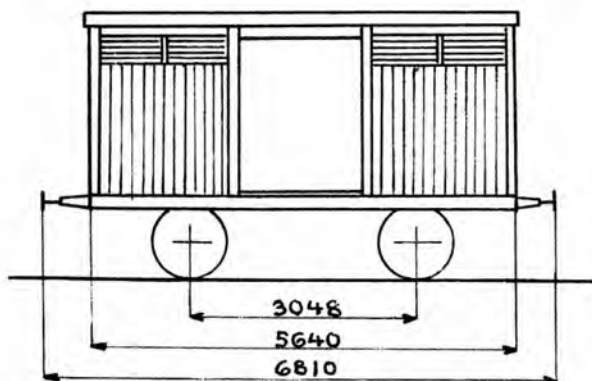
Antall	Vogn nr.	Distrikt	Fabrikant	Bygge år	Hovedtegning	Gulvflate	Ruminnhold	Bremses, opvarming, belysning m.v. Se side 6	Anm.
						m ²	m ³		
1	3395	Oslo	Strømmen	1925	2898	28,4	60,4	1.3.6.8.13	
1	3396	"	"	"	"	"	"	1.3.6.8.13	
1	3397	"	"	"	"	"	"	1.3.6.8.13	Ballast+v.v.=27,0t. Last=8,0t.
1	3398	"	"	"	"	"	"	1.3.6.8.13	" " = 22,0t. " = 13,0t.
1	3399	"	"	"	"	"	"	1.3.6.8.13	
1	3400	"	"	"	"	"	"	1.3.6.8.13	Ballast+v.v.=25,7t. Last=9,5t.
1	3401	"	"	"	"	"	"	1.3.6.8.13	
1	3402	"	"	"	"	"	"	1.3.6.8.13	Ballast+v.v.=21,9t. Last=13,0t.
1	3403	"	"	"	"	"	"	1.3.6.8.13	
1	3404	"	"	"	"	"	"	1.3.6.8.13	
1	10233	Thm.	"	"	"	"	"	1.3.6.8.13	
1	10234	"	"	"	"	"	"	1.3.6.8.13	
1	10235	"	"	"	"	"	"	1.3.6.8.13	Ballast+v.v.=23,6t. Last 11,5t.
1	10236	"	"	"	"	"	"	1.3.6.8.13	
1	10237	"	"	"	"	"	"	1.3.6.8.13	
1	10238	"	"	"	"	"	"	1.3.6.8.13	
1	10239	"	"	"	"	"	"	1.3.6.8.13	
1	10240	"	"	"	"	"	"	1.3.6.8.13	
1	10241	"	"	"	"	"	"	1.3.6.8.13	
1	10242	"	"	"	"	"	"	1.3.6.8.13	
1	10243	"	"	"	"	"	"	1.3.6.8.13	

fortsettes

Gfo2

TYPE 3

Antall	Vogn nr.	Distrikt	Fabrikant	Bygge år	Hoved- tegning	Gulv- flate	Rum- inn- hold	Bremses, opvarming, belysning m.v. Se side 6	Anm.
						m ²	m ³		
1	10244	Thm.	Strømmen	1925	2898	28,4	60,4	1.3.6.8.13	
2	15375, 13376	Drm.	"	"	"	"	"	1.3.6.8.13	} Ballast+v.v.-30.ot.Last-5.ot.
2	15377, 15378	"	"	"	"	"	"	1.3.6.8.13	
2	15379, 15380	"	"	"	"	"	"	1.3.6.8.13	
1	15381	"	"	"	"	"	"	1.3.6.8.13	
1	15382	"	"	"	"	"	"	1.3.6.8.13	} Ballast+v.v.-29.ot.Last-5.st.
1	14138	Brg.	"	1926	"	"	"	1.3.6.8.13	
1	14139	"	"	"	"	"	"	1.3.6.8.13	
1	14140	"	"	"	"	"	"	1.3.6.8.13	
1	14141	"	"	"	"	"	"	1.3.6.8.13	
1	14142	"	"	"	"	"	"	1.3.6.8.13	
1	14143	"	"	"	"	"	"	1.3.6.8.13	
1	14144	"	"	"	"	"	"	1.3.6.8.13	
1	14145	"	"	"	"	"	"	1.3.6.8.13	
1	14146	"	"	"	"	"	"	1.3.6.8.13	
1	14147	"	"	"	"	"	"	1.3.6.8.13	
1	3405	Oslo	Skabo	1928	"	"	"	1.3.6.8.13	
2	3406, 3407	"	"	1929	"	"	"	1.3.6.8.13	} Ballast+v.v.-27.ot.Last-8.ot.
1	3408	"	"	"	"	"	"	1.3.6.8.13	
1	3409	"	"	"	"	"	"	1.3.6.8.13	
1	15403	Drm.	Eidsfos	1932	"	"	"	1.3.6.8.13	} Ballast+v.v.-30.ot.Last-5.ot.
1	15404	"	"	"	"	"	"	1.3.6.8.13	
1	15405	"	"	"	"	"	"	1.3.6.8.13	} Ballast+v.v.-28.st.Last-6.st.
1	15406	"	"	"	"	"	"	1.3.6.8.13.15	
1	15407	"	"	"	"	"	"	1.3.6.8.13.15	



Omtrentl. egenvekt: 7,0 t.

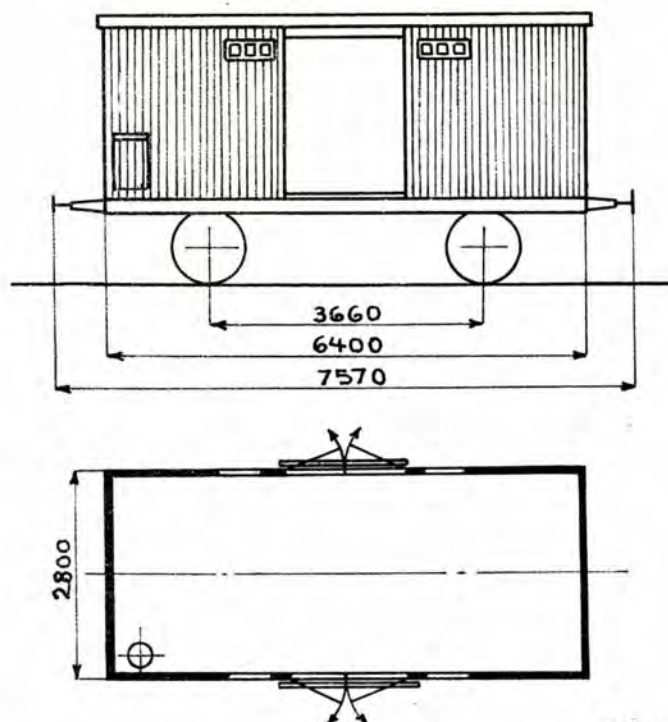
» lasteevne: 10,5 t

Lukket godsvogn (varmevogn)

Antall	Vogn nr.	Distrikt	Fabrikant	Bygge år	Hovedtegning	Gulvflate	Ruminnhold	Bremses, oppvarming, belysning m.v. Se side 6	Anm.
						m ²	m ³		
1	15100	Drn.							
1	15104	"							
1	15119	"							
1	15121	"	Skabo,						
1	15123	"	Atlas og	1877/79	Ukjent	12,2	24,7	8.21	
1	15126	"	Strømmen						
1	15132	"							
1	15144	"							

¹ Ny vognkasse i Drn. 1916/29.

Gv2
TYPE 1



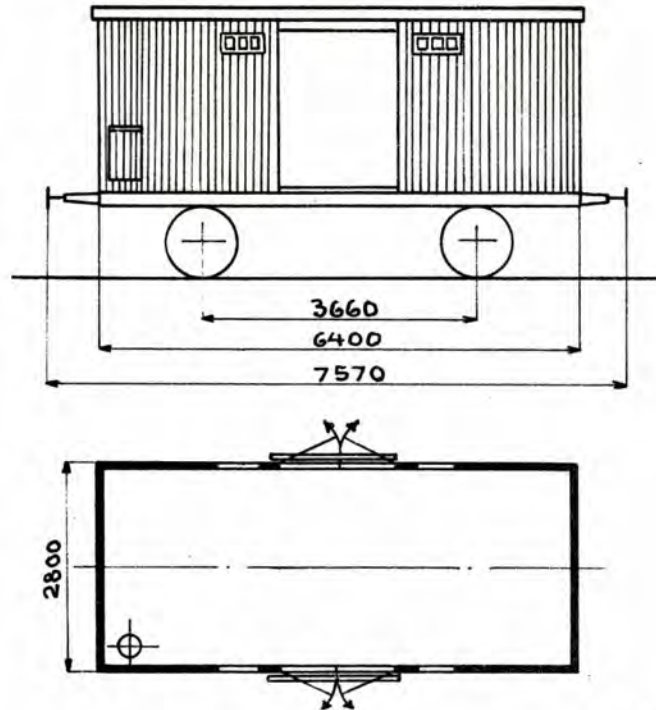
Omtrentl. egenvekt: 8,5 t.

» lasteevne: 8,5 »

Lukket godsvogn (varmevogn)

Antall	Vogn nr.	Distrikt	Fabrikant	Bygge år	Hoved-tegning	Gulv- flate	Rum- inn- hold	Bremsar, opvarming, belysning m.v. Se side 6	Anm.
						m ²	m ³		
1	9250	Brg.	Skabo	1909	376 7/8	16,1	34,0	1.8.21	
2	1232, 1233	Oslo	Strømmen	1910	"	"	"	1.6.8.21	
8	1234-1241	"	Hovedb.V.	1912	"	"	"	1.6.8.21	

7/ Forandret efter tegn. D. 2136.



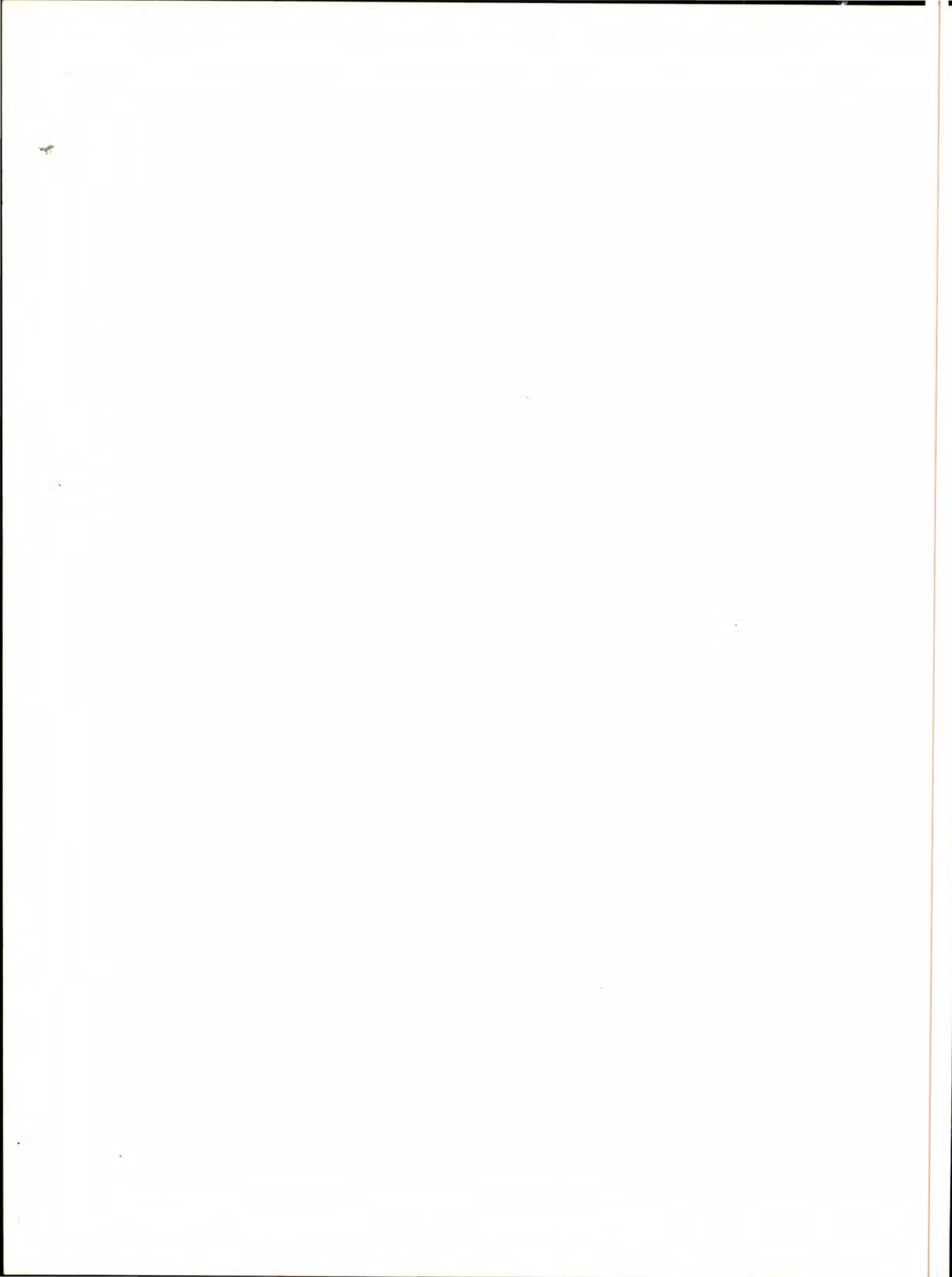
Omtrentl. egenvekt: 8,5 t.

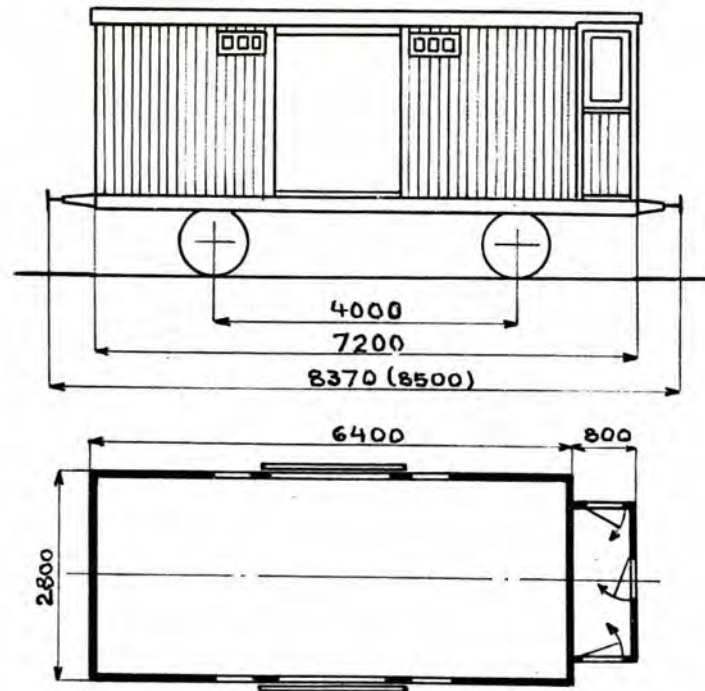
» lasteevne: 14,5-15,0 t

Lukket godsvogn (varmevogn)

Antall	Vogn nr.	Distrikt	Fabrikant	Bygge år	Hoved-tegning	Gulv-plate	Rum-inn-hold	Bremses, opvarming, belysning m.v. Se side 6	Anm.
						m ²	m ³		
1	3052	Oslo	Skabo	1908	376 2/3	16,1	34,0	1.6.8.21	
1	3075	"	"	"	"	"	"	2.6.8.20.21	
2	3100, 3106	"	"	"	"	"	"	8.21	
1	3119	"	"	"	"	"	"	2.6.8.21	
2	3133, 3142	"	Eidsfos	1909	"	"	"	8.21	
2	6083, 6096	"	"	"	"	"	"	8.21	
1	3328	"	"	1913	"	"	"	8.21	

*) Forandret efter tegn. D. 2136.



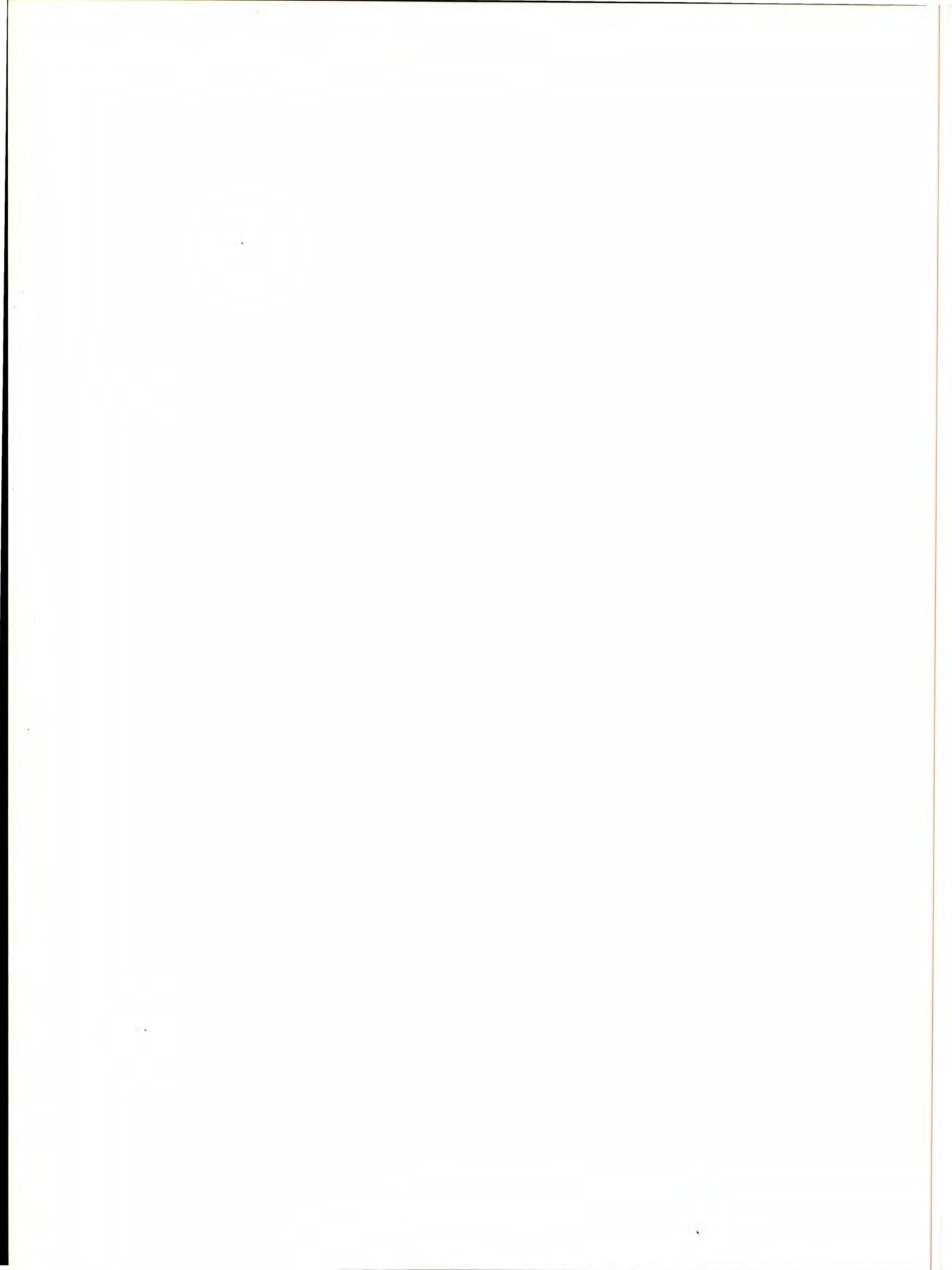


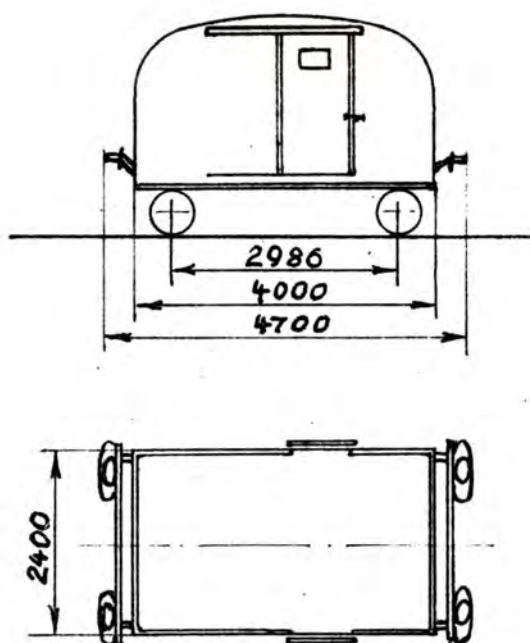
Omtrentl. egenvekt: 8,0 t.

” lasteevne: 9,5 t

Lukket godsvogn (varmevogn)

Antall	Vogn nr.	Distrikt	Fabrikant	Bygge år	Hoved-tegning	Gulv-plate	Rum-inn-hold	Bremsar, opvarming, belysning m.v. Se side 6	Anm.
						m ²	m ³		
1	2115	Oslo	Strømmen	1897	376+387	16,1	34,0	3.8	Innredn. for potettransport.
1	8106	Hmr.	"	"	"	"	"	3.8	
1	8107	"	"	"	"	"	"	3.8	
1	8108	"	"	"	"	"	"	3.8	
1	2833	Oslo	Skabo	1899	"	"	"	3.8	
1	2835	"	"	"	"	"	"	3.8	
1	2837	"	"	"	"	"	"	3.8	
1	11105	"	Strømmen	"	"	"	"	1.3.6.8	

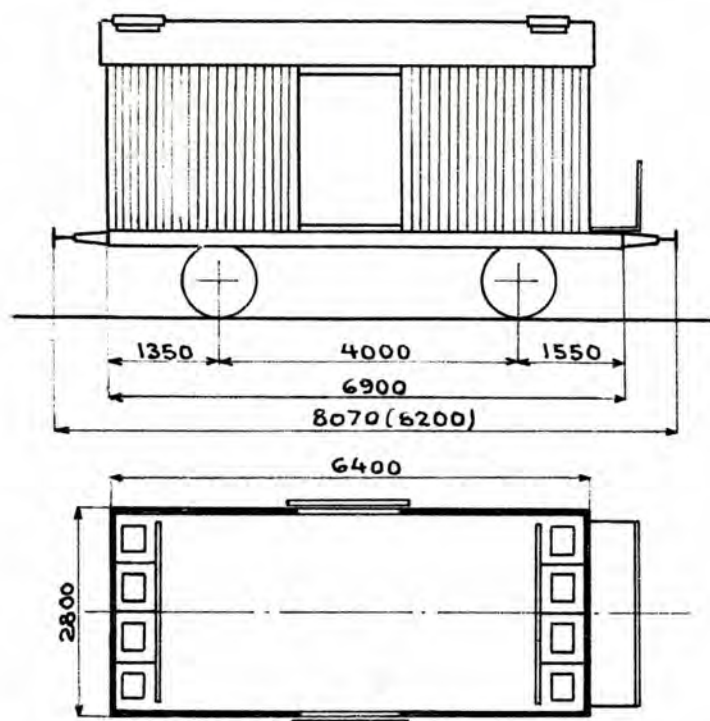




Omtrentl. egenvekt: 2,0t
lasteevne: 2,0t

Tilhenger

Antall	Vogn nr.	Distrikt	Fabrikant	Bygge år	Hoved-tegning	Gulv-plate		Bremser, oppvarming belysning mv. Se side 6	Anm.
						m ²	Rom- inn- hold m ³		
2	1452, 1453	Drm.	Hå - Ka	1950	4 - 100	9,1	11,0	I H. 21	} Godstilhengervogner for Cdm, type 7
1	1454	Krs.	"	"	"	"	"	I H. 21	
3	1455 - 1457	Oslo	"	"	"	"	"	I H. 21	
2	1458, 1459	Stav.	"	"	"	"	"	I H. 21	



Omtrentl. egenvekt: 12,5-14,5 t. ved tomme isbeh.¹⁾

” lasteevne: 8,0-9,5 t. ” fylte ”

Kjølevogn

Antall	Vogn nr.	Distrikt	Fabrikant	Bygge år	Hoved-tegning	Gulv-	Rum-	Brems, opvarming, belysning m.v. Se side 6	Anm.
						flate	inn-		
						m ²	m ³		
2	5529 , 5531	Hmr.	Strömmen	1911	1218 ²⁾	13,0	26,6	1.1kk. 3.6.20.35	
1	5536	"	"	"	"	"	"	1.1kk. 3.6.20.35	
1	5538	"	"	"	"	12,9	23,0	1.1kk. 3.6.20.35	
1	5540	"	"	"	"	13,0	26,6	1.1kk. 3.6.20.35	
2	5547, 5549	"	"	"	"	12,9	23,0	1.1kk. 3.6.20.35	
2	5550, 5552	"	"	"	"	13,0	26,6	1.1kk. 3.6.20.35	
1	5556	"	"	"	"	12,9	23,0	1.1kk. 3.6.20.35	
1	5557	"	"	"	"	13,0	26,0	1.1kk. 3.6.35	
1	5560	"	"	"	"	12,9	23,0	1.1kk. 3.6.35	
1	5569	"	Skabo	"	"	"	"	1.1kk. 3.6.35	
1	10045	Oslo	Eidsfos	"	"	"	"	1.1kk. 3.6.35	
1	10046	"	"	"	"	13,0	26,6	1.1kk. 3.6.35	
2	10054, 10055	"	"	"	"	12,9	23,0	1.1kk. 3.6.35	
1	10056	Thm.	"	"	"	"	"	1.1kk. 3.6.35	
1	14958	Brg.	Skabo	"	"	13,0	26,6	1.1kk. 3.6.35	
2	14960, 14961	"	"	"	"	"	"	1.1kk. 3.6.35	
2	14965, 14966	"	"	"	"	"	"	1.1kk. 3.6.35	
1	14968	"	"	"	"	12,9	23,0	1.1kk. 3.6.35	
1	14969	"	"	"	"	13,0	26,6	1.1kk. 3.6.35	
2	14973, 14974	"	"	"	"	"	"	1.1kk. 3.6.35	
2	14975, 14977	"	"	"	"	"	"	1.1kk. 3.6.35	

²⁾ Med forandring efter skisse dat. 12-7-1929

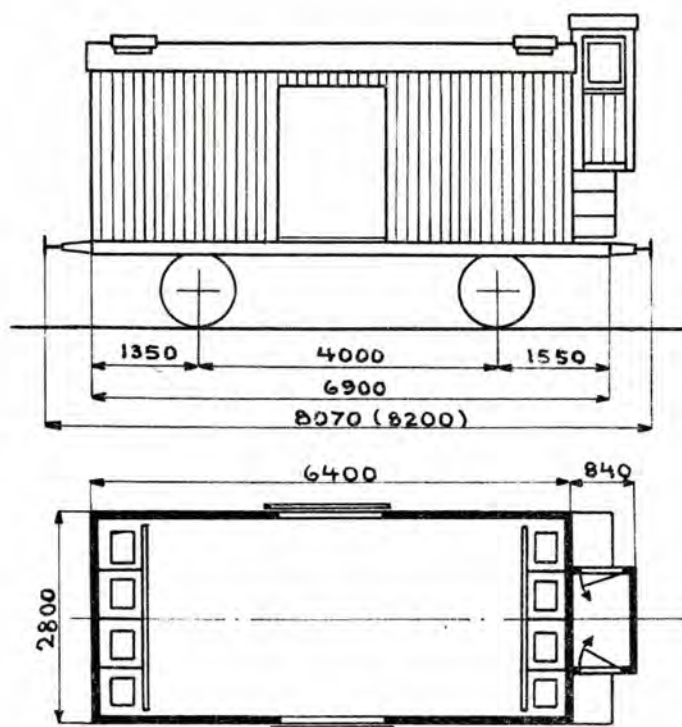
¹⁾ Vekt av is 1,3 tonn.

H 3

TYPE 1

Antall	Vogn nr.	Distrikt	Fabrikant	Bygge år	Hoved-tegning	Gulv- flate	Rum- inn- hold	Bremses, opvarming, belysning m.v. Se side 6	Anm.
						m ²	m ³		
1	14979	Brg.	Skabo	1911	1218 ²⁾	13,0	26,6	1.1kk.3.6.35	
2	14982,14984	"	"	"	"	12,9	23,0	1.1kk.3.6.35	
2	14985,14987	"	"	"	"	"	"	1.1kk.3.6.35	
1	14990	"	"	"	"	"	"	1.1kk.3.6.35	
1	14991	"	"	"	"	13,0	26,6	1.1kk.3.6.35	
1	14992	"	"	"	"	12,9	23,0	1.1kk.3.6.35	
2	14993,14994	"	"	"	"	13,0	26,6	1.1kk.3.6.35	
2	14995,14996	"	"	"	"	"	"	1.1kk.3.6.35	
1	3449	Oslo	Strømmen	1914	1504 ²⁾	12,8	26,2	1.1kk.3.6.35	
2	3540,3549	"	Eidsfos	"	"	"	"	1.1kk.3.6.35	
1	5572	Hmr.	Hmr.Jernst.	"	"	"	"	1.1kk.3.6.35	
1	5591	"	"	1915	"	"	"	1.1kk.3.6.35	
1	5598	"	"	"	"	"	"	1.1kk.3.6.35	

²⁾ Med forandring efter skisse dat. 12-7-1929.



Omtrentl. egenvekt: 14,5 ved tomme isbeh.¹⁾

» lasteevne: 7,5 " fylte "

Kjølevogn

Antall	Vogn nr.	Distrikt	Fabrikant	Bygge år	Hoved-tegning	Gulv-	Rum-	Brems, opvarming, belysning m.v. Se side 6	Anm.
						flate	inn-		
						m ²	hold		
1	5528	Hmr.	Strømmen	1911	1218	12,9	23,0	1.1kk. 3.6. 20. 35	
1	5530	"	"	"	"	"	"	1.1kk. 3.6. 20. 35	
4	5532 - 5535	"	"	"	"	"	"	1.1kk. 3.6. 20. 35	
2	5537, 5539	"	"	"	"	"	"	1.1kk. 3.6. 20. 35	
6	5541 - 5546	"	"	"	"	"	"	1.1kk. 3.6. 20. 35	
2	5548, 5551	"	"	"	"	"	"	1.1kk. 3.6. 20. 35	
3	5553 - 5555	"	"	"	"	"	"	1.1kk. 3.6. 35	
2	5558, 5559	"	"	"	"	"	"	1.1kk. 3.6. 35	
8	5561 - 5568	"	Skabo	"	"	"	"	1.1kk. 3.6. 35	
1	5570	"	"	"	"	"	"	1.1kk. 3.6. 35	
4	10041 - 10044	Thm.	Eidsfos	"	"	"	"	1.1kk. 3.6. 35	
1	10047	"	"	"	"	"	"	1.1kk. 3.6. 35	
6	10048 - 10053	Oslo	"	"	"	"	"	1.1kk. 3.6. 35	
2	10057, 10058	Thm.	"	"	"	"	"	1.1kk. 3.6. 35	
2	14957, 14959	Brg.	Skabo	"	"	"	"	1.1kk. 3.6. 35	
3	14962 - 14964	"	"	"	"	"	"	1.1kk. 3.6. 35	
1	14967	"	"	"	"	"	"	1.1kk. 3.6. 35	
3	14970 - 14972	"	"	"	"	"	"	1.1kk. 3.6. 35	
2	14976, 14978	"	"	"	"	"	"	1.1kk. 3.6. 35	
2	14980, 14981	"	"	"	"	"	"	1.1kk. 3.6. 35	
2	14983, 14986	"	"	"	"	"	"	1.1kk. 3.6. 35	

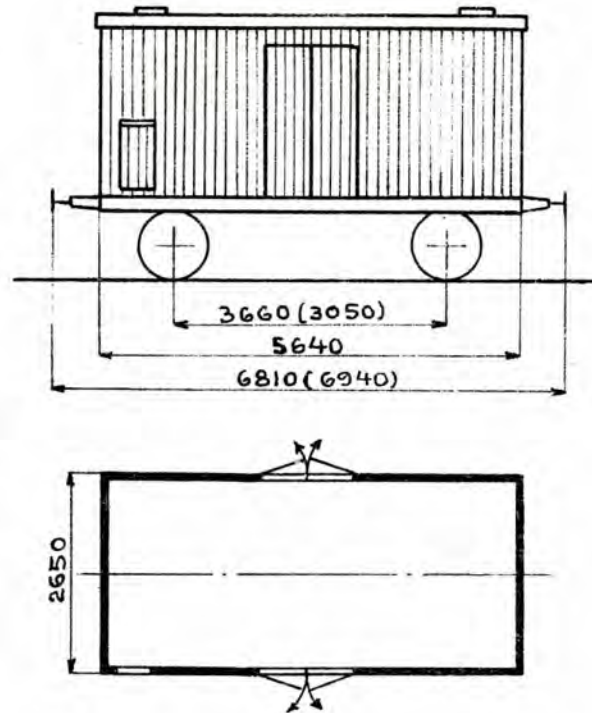
¹⁾ Vekt av is 1,3 tonn

Forts.

Hf 3

TYPE 1 (forts.)

Antall	Vogn nr.	Distrikt	Fabrikant	Bygge år	Hovedtegning	Gulvflate	Ruminnhold	Bremses, opvarming, belysning m.v. Se side 6	Anm.
						m ²	m ³		
2	14988, 14989	Brg.	Skabo	1911	1218	12,9	23,0	1.1kk. 3.6.35	
2	3434, 3443	Oslo	Strømmen	1914	1504	12,8	26,2	1.1kk. 3.6.35	
1	3445	"	"	"	"	"	"	1.1kk. 3.6.35	
2	3469, 3470	"	Eidsfos	"	"	"	"	1.1kk. 3.6.35	
2	3536, 3538	"	"	"	"	"	"	1.1kk. 3.6.35	
2	3542, 3545	"	"	"	"	"	"	1.1kk. 3.6.35	
1	3548	"	"	"	"	"	"	1.1kk. 3.6.35	
2	5571, 5573	Hmr.	Hmr. Jernst.	1914/15	"	"	"	1.1kk. 3.6.35	
2	5574, 5575	"	"	"	"	"	"	1.1kk. 3.6.35	
2	5576, 5577	"	"	"	"	"	"	1.1kk. 3.6.35	
2	5578, 5579	"	"	"	"	"	"	1.1kk. 3.6.35	
2	5580, 5581	"	"	"	"	"	"	1.1kk. 3.6.35	
2	5582, 5583	"	"	"	"	"	"	1.1kk. 3.6.35	
2	5584, 5585	"	"	"	"	"	"	1.1kk. 3.6.35	
2	5586, 5587	"	"	"	"	"	"	1.1kk. 3.6.35	
2	5588, 5589	"	"	"	"	"	"	1.1kk. 3.6.35	
2	5590, 5592	"	"	"	"	"	"	1.1kk. 3.6.35	
2	5593, 5594	"	"	"	"	"	"	1.1kk. 3.6.35	
2	5595, 5596	"	"	"	"	"	"	1.1kk. 3.6.35	
1	5597,	"	"	"	"	"	"	1.1kk. 3.6.35	
2	5599, 5600	"	"	"	"	"	"	1.1kk. 3.6.35	
2	8444, 8445	"	"	"	"	"	"	1.1kk. 3.6.35	
2	8446, 8447	"	"	"	"	"	"	1.1kk. 3.6.35	
2	8448, 8449	"	"	"	"	"	"	1.1kk. 3.6.35	
2	8450, 8459	"	"	"	"	"	"	1.1kk. 3.6.35	
2	8460, 8490	"	"	"	"	"	"	1.1kk. 3.6.35	



Omtrentl. egenvekt: 9,0 t.

» lasteevne: 8,0 "

Kjøle og varmevogn

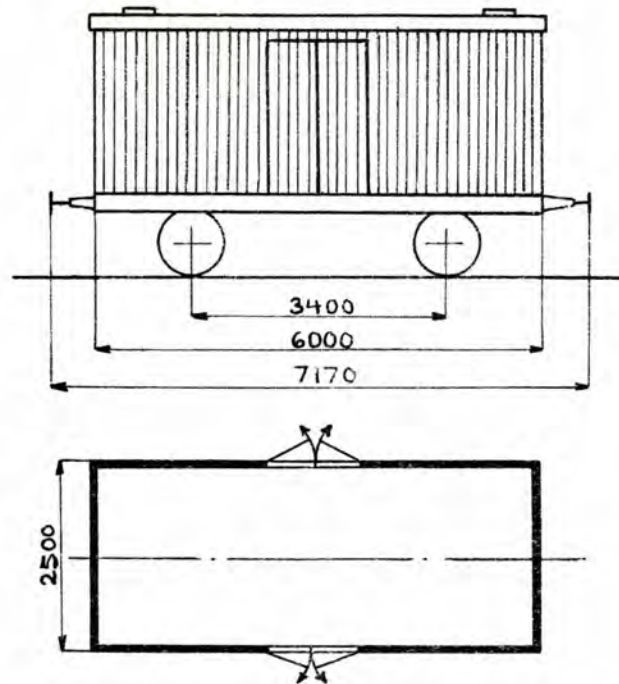
Antall	Vogn nr.	Distrikt	Fabrikant	Bygge år	Hoved-tegning	Gulv-	Rum-	Brems, opvarming, belysning m.v. Se side 6	Anm.
						flate	inn-		
						m ²	m ³		
1	5503	Hmr.	Thm. distr.	1890	118	13,0	26,8	1.6.8.21	Innredn. for kjøttransport.
1	5504	"	Skabo	"	"	"	"	1.7.21	
1	5505	"	"	"	"	"	"	1.6.7.21	
2	8468, 8469	"	Strømmen	1906	"	"	"	1.6.8.21	
2	14951, 14952	Brg.	Eidsfos	"	"	"	"	1.6.8.21	
2	14953, 14954	"	"	"	"	"	"	1.6.8.21	
1	8700	Hmr.	"	1907	"	"	"	1w.2.8.21	
6	3501 - 3506	Oslo	Skabo	"	853	"	"	1.6.8.15.21.35	
2	3509, 3510	"	"	"	"	"	"	1.6.8.15.21.35	
4	3511 - 3514	"	Strømmen	"	"	"	"	1.6.8.15.21.35	
5	3516 - 3520	"	"	"	"	"	"	1.6.8.15.21.35	
2	3521, 3522	"	Eidsfos	"	"	"	"	1.6.8.15.21.35	
7	3524 - 3530	"	"	"	"	"	"	1.6.8.15.21.35	
4	8470 - 8473	Hmr.	Strømmen	"	"	"	"	1.6.8.21	
3	8475 - 8477	"	"	"	"	"	"	1.6.8.21	
4	8479 - 8482	"	"	"	"	"	"	1.6.8.21	
1	8484	"	"	"	"	"	"	1.6.8.21	
3	8486 - 8488	"	"	"	"	"	"	1.6.8.21	
1	3472	Oslo	"	1909	"	"	"	1.6.7.15.21.35	
4	3473 - 3476	Thm.	"	"	"	"	"	1.6.7.15.21.35	
1	3477	Oslo	"	"	"	"	"	1.6.7.15.21.35	



Hvi

TYPE 1 (forts)

Antall	Vogn nr.	Distrikt	Fabrikant	Bygge år	Hoved- tegning	Gulv- flate	Rum- inn- hold	Brems, opvarming, belysning m.v. Se side 6	Anm.
						m ²	m ³		
1	3479	Thm.	Strømmen	1909	853	13,0	26,8	1.6.7.15.21.35	
7	3480 - 3486	Oslo	"	"	"	"	"	1.6.7.15.21.35	
1	3487	Thm.	"	"	"	"	"	1.6.7.15.21.35	
5	3488 - 3492	Oslo	"	"	"	"	"	1.6.7.15.21.35	
1	3493	Thm.	"	"	"	"	"	1.6.7.15.21.35	
1	3494	Oslo	"	"	"	"	"	1.6.7.15.21.35	
1	3495	Thm.	"	"	"	"	"	1.6.7.15.21.35	
1	3496	Oslo	"	"	"	"	"	1.6.7.15.21.35	
1	3498	Thm.	"	"	"	"	"	1.6.7.15.21.35	
2	3499 , 3500	Oslo	"	"	"	"	"	1.6.7.15.21.35	
1	5508	Hmr.	"	"	"	"	"	1.6.7.21	
4	5511 - 5514	"	"	"	"	"	"	1.6.7.21	
3	5516 - 5518	"	"	"	"	"	"	1.6.7.21	
7	5520 - 5526	"	"	"	"	"	"	1.6.7.21	
2	14955 , 14956	Brg.	"	"	"	"	"	1.6.7.21	

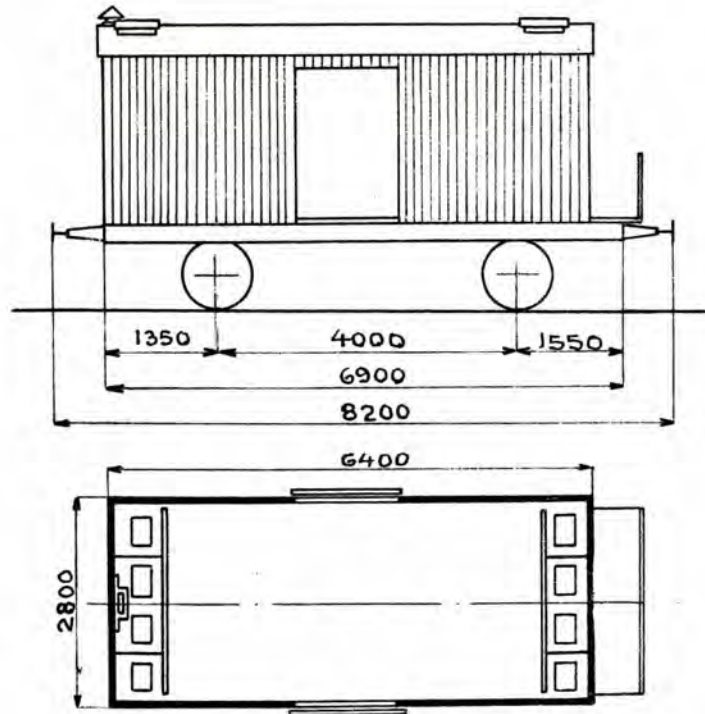


Omtrentl. egenvekt: 9,0 t.

” lasteevne: 7,5 ”

Kjøle og varmevogn

Antall	Vogn nr.	Distrikt	Fabrikant	Bygge år	Hoved- tegning	Gulv- flate	Rum- inn- hold	Bremses, opvarming, belysning m.v. Se side 6	Anm.
						m ²	m ³		
1	15451	Drm.	Skabo	1905	791	12,9	25,7	1.6.7.21	
1	15452	”	”	”	”	”	”	1.6.7.21	



Omtrentl. egenvekt: 12,5-14,5 t. ved tomme isbeh.[∪]

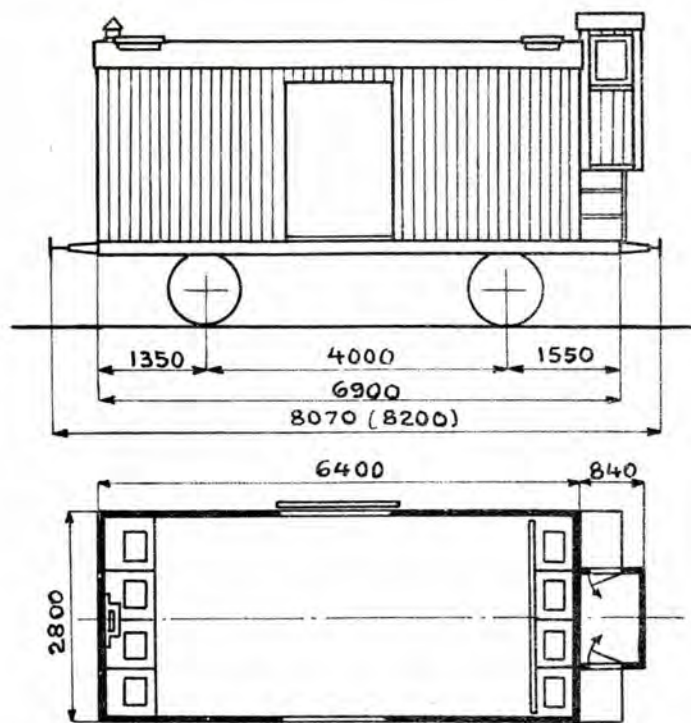
” lasteevne: 8,0-9,5 t. ” fylte ”

Kjøle og varmevogn

Antall	Vogn nr.	Distrikt	Fabrikant	Bygge år	Hovedtegning	Gulv-	Rum-	Bremses, opvarming, belysning m.v. Se side 6	Anm.
						flate	innhold		
						m ²	m ³		
2	3435, 3436	Oslo	Strømmen	1914	1504 [∪]	12,8	26,2	1.1kk. 3.6.8.35	
3	3465-3467	”	”	”	”	”	”	1.3.6.7.15.35	
1	8497	Hmr.	Hmr.Jernst.	”	”	”	”	1.3.6.7.15.35	
1	23064	T.P.B.	”	1915	”	”	”	1.3.6.7.15.35	
1	8438	Hmr.	Strømmen	1919	”	”	”	1.3.6.7.15.35	
1	14999	Brg.	”	”	”	”	”	1.3.6.7.15.35	
3	3421-3423	Oslo	”	1920	”	”	”	1.1kk.3.6.7.35	
2	3429, 3430	”	”	”	”	”	”	1.1kk.3.6.7.35	
2	6918, 6920	”	”	”	”	”	”	1.3.6.7.15.35	
2	6976, 6978	”	”	”	”	”	”	1.3.6.7.15.35	
1	6912	”	Skabo	1921	”	”	”	1.1kk.3.6.7.35	
2	14937, 14939	Brg.	Strømmen	”	”	”	”	1.3.6.7.15.35	
2	14943, 14946	”	”	”	”	”	”	1.3.6.7.15.35	
1	14950	”	”	”	”	”	”	1.3.6.7.15.35	
1	17090	Oslo	Skabo	”	”	”	”	1.3.6.7.15.35	
1	23081	T.P.B.	Strømmen	”	”	”	”	1.3.6.7.15.35	
1	20262	Drn.	Skabo	1922	”	”	”	1.3.6.7.15.35	

[∪] med forandring efter skisse dat. 12-7-1929.

[∪] Vekt av is 1,3 tonn.



Omtrentl. egenvekt: 13,5-14,0 t. ved tomme isbeh.

» lasteevne: 7,5- 8,0t. » fylte »

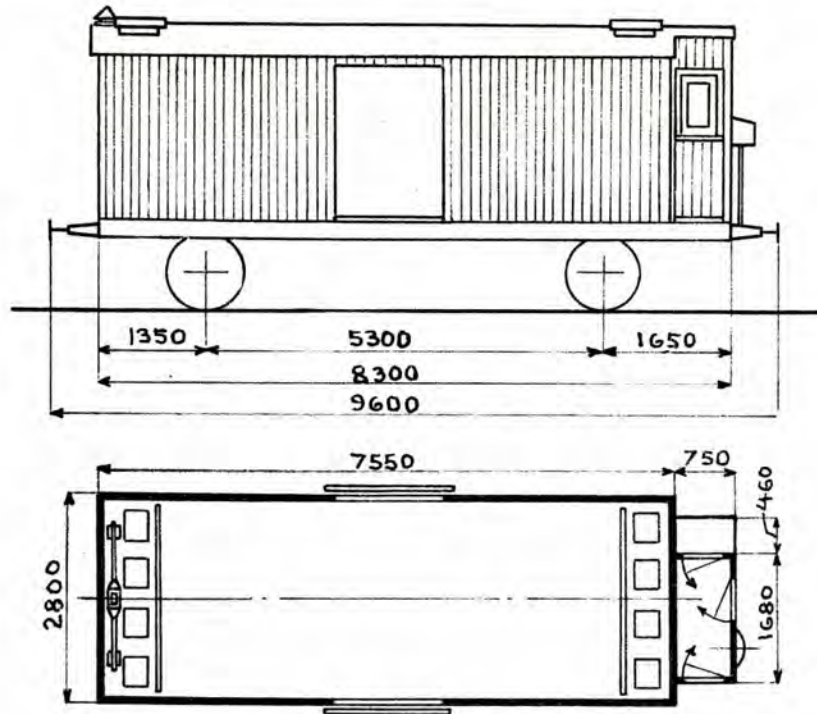
Kjøle og varmevogn

Antall	Vogn nr.	Distrikt	Fabrikant	Bygge år	Hovedtegning	Gulvflate	Ruminnhold	Bremses, opvarming, belysning m.v. Se side 6	Anm.
						m ²	m ³		
3	15453-15455	Drm.	Eidsfos	1911	1218	12,9	23,0	1. 3. 6. 7. 15. 35	
1	3433	Oslo	Strømmen	1914	1504	12,8	26,2	1.1kk.3.6.8.35	
6	3437-3442	"	"	"	"	"	"	1.1kk.3.6.8.35	
1	3444	"	"	"	"	"	"	1.1kk.3.6.8.35	
3	3446-3448	"	"	"	"	"	"	1.1kk.3.6.8.35	
1	3450	"	"	"	"	"	"	1.1kk.3.6.8.35	
2	3456, 3457	"	"	"	"	"	"	1.1kk.3.6.8.35	
1	3458	"	"	"	"	"	"	1. 3. 5. 7. 15. 35	
2	3459, 3460	"	"	"	"	"	"	1. 3. 6. 7. 15. 35	
1	3461	"	"	"	"	"	"	1. 3. 5. 7. 15. 35	
2	3462, 3463	"	"	"	"	"	"	1. 3. 6. 7. 15. 35	
1	3464	"	"	"	"	"	"	1. 3. 6. 7. 15. 35	
1	3468	"	Eidsfos	"	"	"	"	1.1kk.3.6.8.35	
2	3534, 3535	"	"	"	"	"	"	1.1kk.3.6.8.35	
2	3537, 3539	"	"	"	"	"	"	1.1kk.3.6.8.35	
2	3541, 3543	"	"	"	"	"	"	1.1kk.3.6.8.35	
2	3544, 3546	"	"	"	"	"	"	1.1kk.3.6.8.35	
2	3547, 3550	"	"	"	"	"	"	1.1kk.3.6.8.35	
1	5633	Thm.	"	"	"	"	"	1. 3. 6. 7. 15. 35	
6	8491-8496	Hmr.	Hmr.Jernst	"	"	"	"	1. 3. 6. 7. 15. 35	
3	8498-8500	"	"	"	"	"	"	1. 3. 6. 7. 15. 35	

» Vekt av is 1,3 tonn.

Forts.

Antall	Vogn nr.	Distrikt	Fabrikant	Bygge år	Hoved- tegning	Gulv- flate	Rum- inn- hold	Bremses, opvarming, belysning m.v. Se side 6	Anm.
						m ²	m ³		
1	23063	T.P.B.	Hmr.Jernst.	1915	1504	12,8	26,2	1. 3. 6. 7. 15. 35	
7	8431-8437	Hmr.	Strømmen	1919	"	"	"	1. 3. 6. 7. 15. 35	
2	8439,8440	"	"	"	"	"	"	1. 3. 6. 7. 15. 35	
10	10059-10068	Thm.	"	"	"	"	"	1. 3. 6. 7. 15. 35	
2	14997,14998	Brg.	"	"	"	"	"	1. 3. 6. 7. 15. 35	
1	15000	"	"	"	"	"	"	1. 3. 6. 7. 15. 35	
4	15456-15459	Drm.	"	"	"	"	"	1. 3. 6. 7. 15. 35	
4	3424-3427	Oslo	"	1920	"	"	"	1.1kk.3. 6. 7. 35	
2	3428, 3431	"	"	"	"	"	"	1. 3. 5. 7. 15. 35	
1	3432	"	"	"	"	"	"	1.1kk.3.6. 7. 35	
1	6919	"	"	"	"	"	"	1. 3. 5. 7. 15. 35	
1	6972	"	"	"	"	"	"	1. 3. 6. 7. 15. 35	
1	6973	"	"	"	"	"	"	1. 3. 5. 7. 15. 35	
2	6974, 6975	"	"	"	"	"	"	1. 3. 6. 7. 15. 35	
1	6977	"	"	"	"	"	"	1. 3. 6. 7. 15. 35	
1	15460	Drm.	"	"	"	"	"	1. 3. 6. 7. 15. 35	
2	20767, 20768	"	"	"	"	"	"	1. 3. 6. 7. 15. 35	
1	23082	T.P.B.	"	"	"	"	"	1. 3. 6. 7. 15. 35	
1	6903	Oslo	Skabo	1921	"	"	"	1. 3. 5. 7. 15. 35	
5	6904-6908	"	"	"	"	"	"	1.1kk.3.6. 7. 35	
1	6909	"	"	"	"	"	"	1.1kk.3. 7. 35	
2	6910, 6911	"	"	"	"	"	"	1.1kk.3. 6. 7. 35	
1	6913	"	"	"	"	"	"	1. 3. 5. 7. 15. 35	
4	6914-6917	"	"	"	"	"	"	1. 3. 6. 7. 15. 35	
10	10069-10078	Thm.	Strømmen	"	"	"	"	1. 3. 6. 7. 15. 35	
2	14936,14938	Brg.	"	"	"	"	"	1. 3. 6. 7. 15. 35	
3	14940-14942	"	"	"	"	"	"	1. 3. 6. 7. 15. 35	
2	14944, 14945	"	"	"	"	"	"	1. 3. 6. 7. 15. 35	
3	14947-14949	"	"	"	"	"	"	1. 3. 6. 7. 15. 35	
4	17041-17044	Oslo	"	"	"	"	"	1. 3. 6. 7. 15. 35	
2	17045,17046	"	Skabo	"	"	"	"	1. 3. 5. 7. 15. 35	{ Innredn. for banantransport.
4	17047-17050	"	"	"	"	"	"	1. 3. 6. 7. 15. 35	
6	17084-17089	"	"	"	"	"	"	1. 3. 6. 7. 15. 35	
3	20259-20261	Drm.	"	1922	"	"	"	1. 3. 6. 7. 15. 35	
1	20263	"	"	"	"	"	"	1. 3. 6. 7. 15. 35	



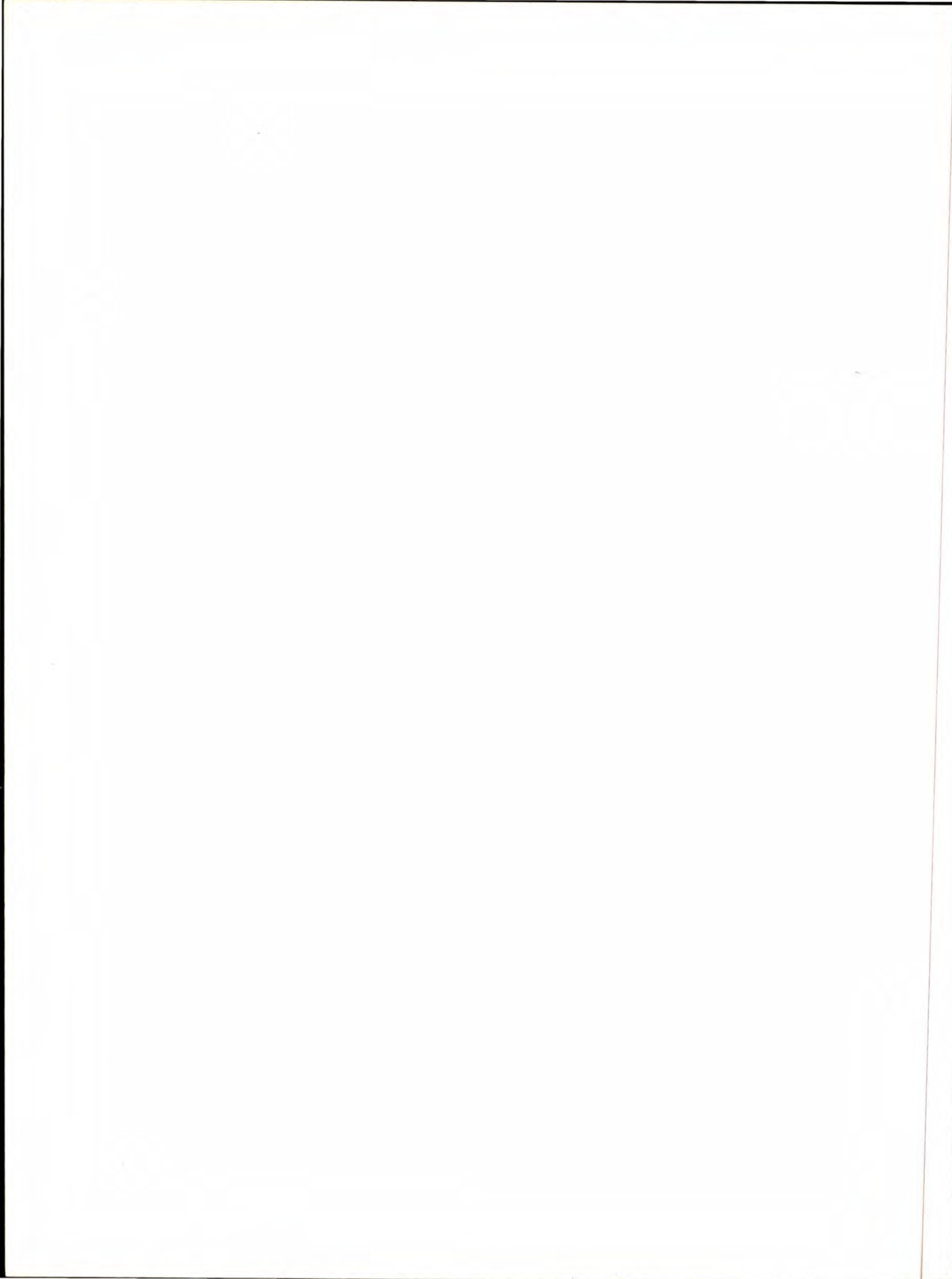
Omtrentl. egenvekt: 14,5-15,0t. ved tomme isbeh.^u

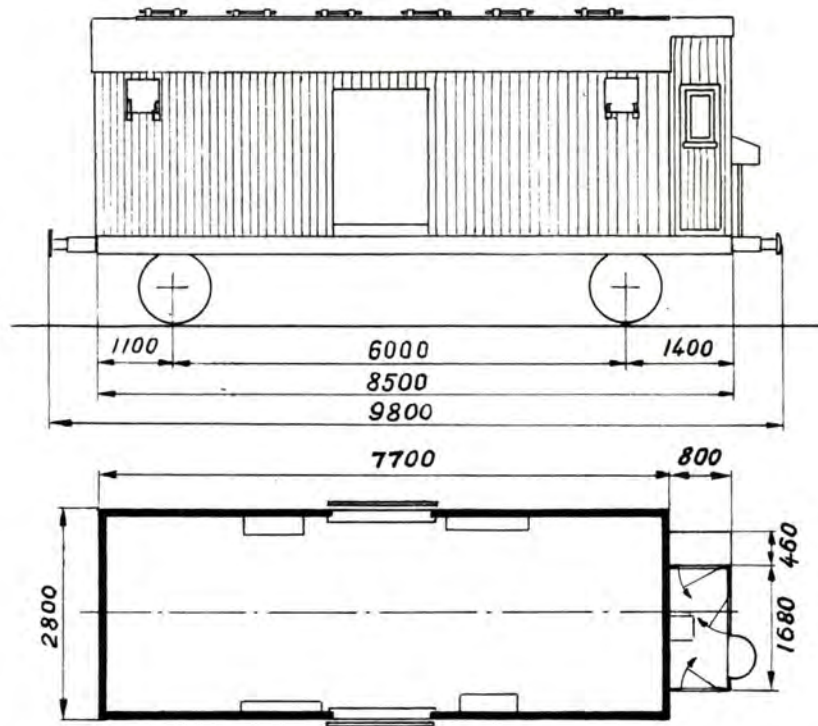
» lasteevne: 12,5-13,0t. • fylte »

Kjøle og varmevogn

Antall	Vogn nr.	Distrikt	Fabrikant	Bygge år	Hoved-tegning	Gulv-	Rum-	Brems, opvarming, belysning m.v. Se side 6	Anm.
						flate	inn-		
						m ²	hold		
							m ³		
7	8681-8687	Hmr.	Skabo	1930	3160	15,8	32,4	1.1kk.3.6.7.20.24.35	} Lasteevne = 13,0t. Innredn. for banantransport.
1	8688	"	"	"	"	17,6	34,0	1.1kk.3.5.7.24.35	
2	20795, 20796	Drm.	Eidsfos	"	"	15,8	32,4	1.1kk.3.6.7.20.24.35	
3	20797-20799	"	"	"	"	"	"	1.1kk.3.6.7.20.24.35	
11	8689-8699	Hmr.	Skabo	1931	"	"	"	1.1kk.3.6.7.20.24.35	
1	12184	Thm.	"	"	"	"	"	1.1kk.3.6.7.20.24.35	

^u Vekt av is 1,3 tonn.



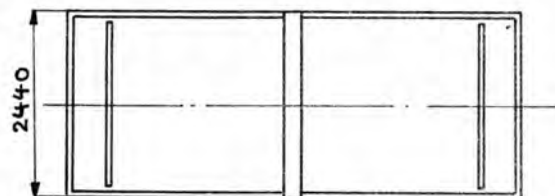
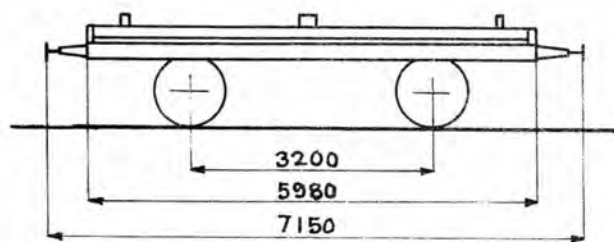


Omtrentl. egenvekt: 14.0 } med tomme
Lasteevne: 14.5 } isbeholdere.¹⁾

Kjøle og varmevogn

Antall	Vogn nr.	Distrikt	Fabrikant	Bygge år	Hoved- tegning	Gulv- flate	Rom- inn- hold	Brems, oppvarming belysning m.v. Se side 6	Anm.
						m ²	m ³		
7	70050 - 70056	Thm.	Strømmen	1945	5130	18.7	35.6	1H.3.5. 24.26.34.39	
18	70057 - 70074	"	"	1946	"	"	"	1H.3.5. 24.26.34.39	

¹⁾ Vekt av naturis 1.5 tonn
" " kullsyreis 0.5 "



Omtrentl. egenvekt: 6,0t.

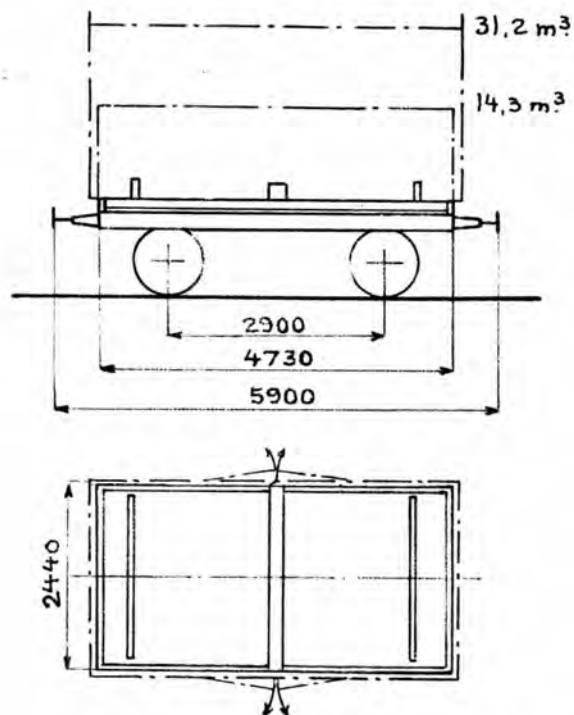
» lasteevne: 11,5"

Tømmervogn

Antall	Vogn nr.	Distrikt	Fabrikant	Bygge år	Hoved-tegning	Gulv-plate	Rum-inn-hold	Bremses, opvarming, belysning m.v. Se side 6	Anm.
						m ²	m ³		
2	2136, 2139	Oslo	Strømmen	1875 ^{x)}	Ukjent	13,3	1,6	21	
2	2140, 2141	"	"	"	"	"	"	21	
2	2142, 2144	"	"	"	"	"	"	21	
2	2145, 2146	"	"	"	"	"	"	21	
2	2147, 2149	"	"	"	"	"	"	21	
2	2150, 2151	"	"	"	"	"	"	21	
2	2152, 2153	"	"	"	"	"	"	21	
2	2154, 2156	"	"	"	"	"	"	21	
2	2157, 2158	"	"	"	"	"	"	21	
2	2159, 2160	"	"	"	"	"	"	21	

^{x)} Ombygget i Oslo distr. 1903-06.

K_I
TYPE 2



Omtrentl. egenvekt: 5,0 - 6,0 t

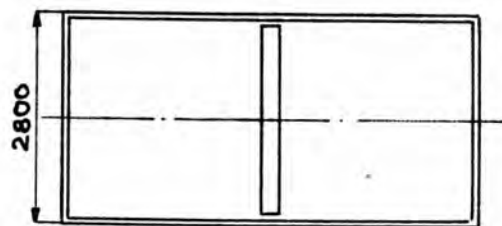
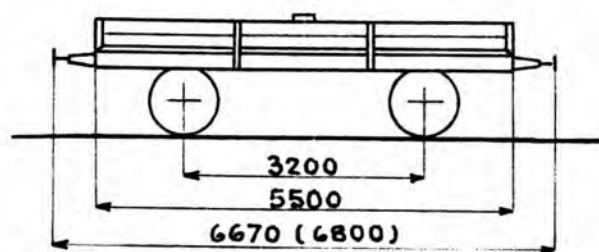
» lasteevne: 11,0 - 11,5 t

Tømmervogn

Antall	Vogn nr.	Distrikt	Fabrikant	Bygge år	Hovedtegning	Gulvflate	Ruminnhold	Brems, opvarming, belysning m.v. Se side 6	Anm.
						m ²	m ³		
1	2181	Oslo	Skabo	1891	138	10,6	1,3	21	
2	2183 , 2186	"	"	"	"	"	31,2	21	Kasse
1	2187	"	"	"	"	"	"	21	"
2	2167 , 2218	"	Oslo distr.	1896	"	"	"	21	"
2	2223 , 2226	"	"	"	"	"	"	21	"
1	2236	"	"	"	"	"	"	21	"
2	1379 , 1380	"	Strømmen	1897	"	"	14,3	21	"
2	1381 , 1382	"	"	"	"	"	"	21	"
1	1383	"	"	"	"	"	"	21	"
1	1384	"	"	"	"	"	31,2	21	"
1	2246	"	Oslo distr.	1898	"	"	"	21	"
1	1385	"	Strømmen	1899	"	"	14,3	21	"
1	1387	"	"	"	"	"	31,2	21	"
1	1388	"	"	"	"	"	14,3	21	"
1	2177	"	Oslo distr.	"	138	"	1,3	21	
2	2178 , 2198	"	"	"	"	"	31,2	21	Kasse
1	1389	"	Strømmen	1900	"	"	14,3	21	"
1	1390	"	"	"	"	"	31,2	21	"
2	1391 , 1392	"	"	"	"	"	14,3	21	"
2	1393 , 1394	"	"	"	"	"	"	21	"
2	1395 , 1396	"	"	"	"	"	"	21	"

forts.

Antall	Vogn nr.	Distrikt	Fabrikant	Bygge år	Hoved- tegning	Gulv- flate	Rum- inn- hold	Bremses, opvarming, belysning m.v. Se side 6	Anm.
						m ²	m ³		
1	1397	Oslo	Strømmen	1900		10,6	31,2	21	Kasse
1	1399	"	"	"		"	14,3	21	"
1	2203	"	Oslo distr.	"		"	31,2	21	"
1	2240	"	"	1901	138	"	1,3	21	
1	2242	"	"	"		"	31,2	21	Kasse
1	3613	"	"	1902		"	"	21	"
1	2257	"	"	1903		"	"	21	"
2	3620 , 3631	"	"	"		"	"	21	"
1	2161	"	"	1904		"	"	21	"
2	2169 , 2174	"	"	"	138	"	1,3	21	
1	2176	"	"	"		"	31,2	21	Kasse
2	2201 , 2212	"	"	"	138	"	1,3	21	
2	2214 , 2215	"	"	"	"	"	"	21	
2	2224 , 2230	"	"	"	"	"	"	21	
2	2231 , 2243	"	"	"	"	"	31,2	21	Kasse
2	2253 , 2259	"	"	"	138	"	1,3	21	
1	2260	"	"	"	"	"	"	21	
1	3609	"	"	1905		"	31,2	21	Kasse
2	3611 , 3612	"	"	"	138	"	1,3	21	
2	3623 , 3627	"	"	"	"	"	"	21	
2	3629 , 3632	"	"	"	"	"	"	21	
1	3601	"	"	1906		"	31,2	21	Kasse
2	3605 , 3606	"	"	"	138	"	1,3	21	
2	3616 , 3621	"	"	"	"	"	31,2	21	Kasse
1	3602	"	"	1907	138	"	1,3	21	

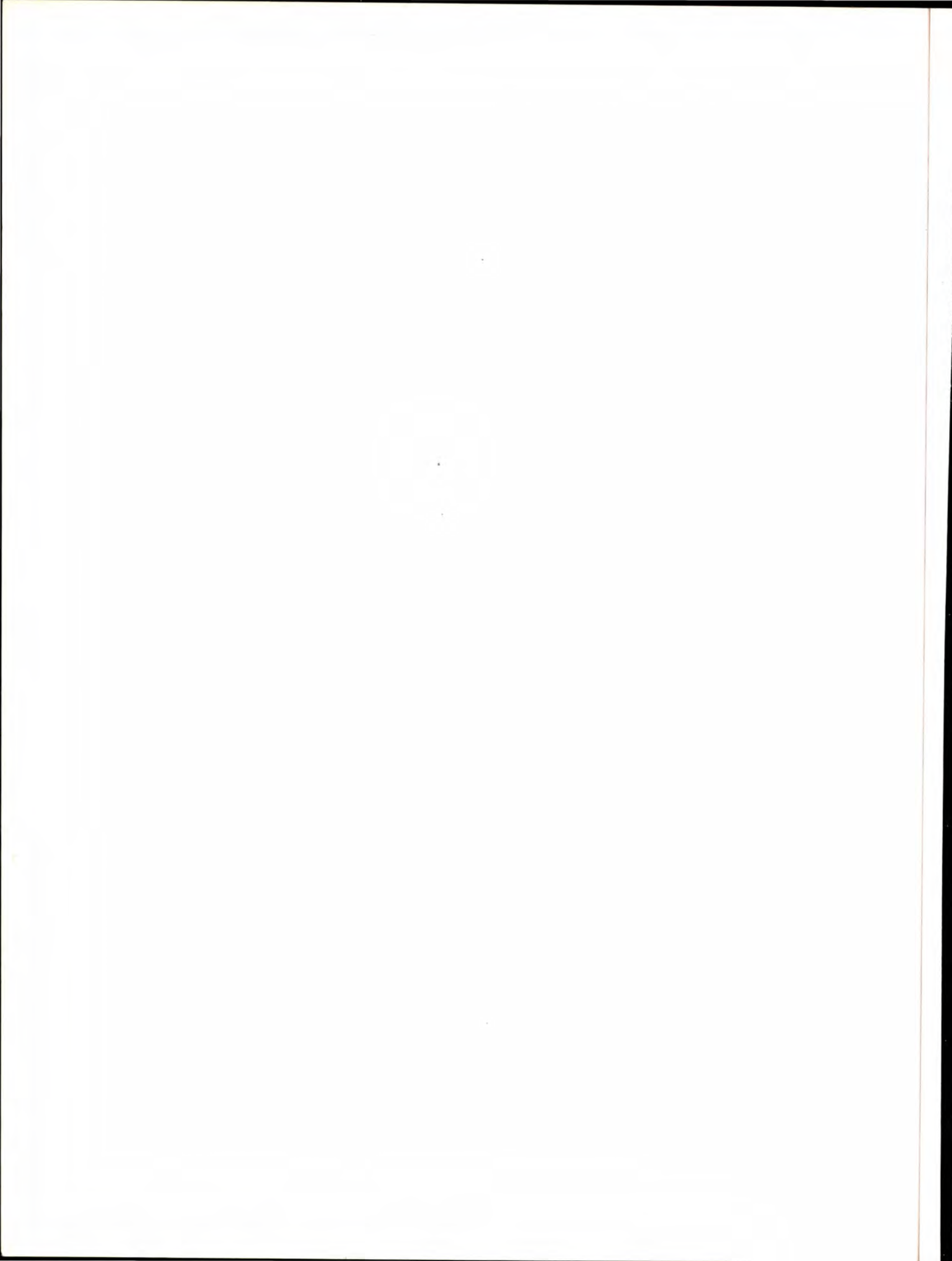


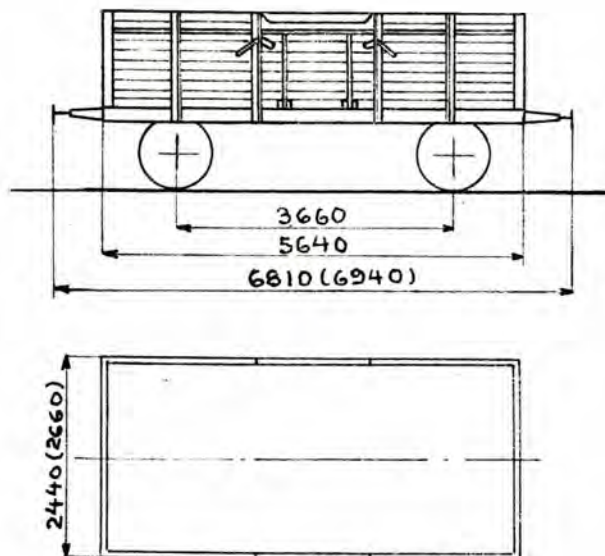
Omtrentl. egenvekt: 6,0t.

» lasteevne: 11,0 »

Tömmervogn

Antall	Vogn nr.	Distrikt	Fabrikant	Bygge år	Hoved-tegning	Gulv-	Rum-	Bremses, opvarming, belysning m.v. Se side 6	Anm.
						flate	inn-		
						m ²	m ³		
35	15501 - 15535	Drm.	Skabo	1909	1033	14,4	4,4	21	
4	5401 - 5404	Hmr.	"	1912	"	"	"	21	
20	23041 - 23060	T.P.B.	Eidsfoss	1915	1887	"	"	21	
5	23437 - 23441	Drm.	"	"	"	"	"	21	





Omtrentl. egenvekt: 6,0t.

» lasteevne: 11,0 «

Kassevogn

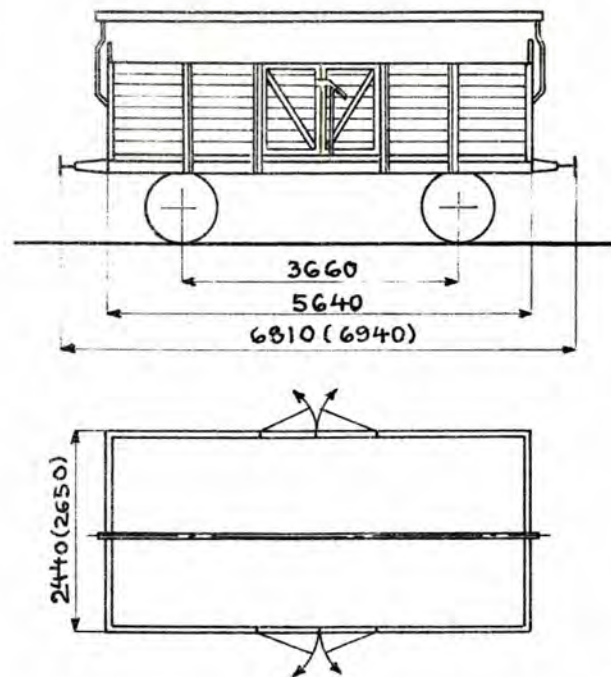
Antall	Vogn nr.	Distrikt	Fabrikant	Bygge- år	Hoved- tegning	Gulv-	Rum-	Bremses, opvarming, belysning m.v. Se side 6	Anm.
						flate	inn- hold		
						m ²	m ³		
2	3745, 3758	Oslo	Strømmen	1882	96	13,0	15,6	21	Gjødselvogner.
2	1404, 1405	"	Hovedb.v.	1886	B.37	"	11,7 ^{y)} 16,2	21	
1	1406	"	"	"	"	"	"	21	
1	1409	"	"	1888	"	"	"	21	
2	1410, 1412	"	"	"	"	"	"	21	
2	2321, 2327	"	Skabo	1890	137	"	16,0	21	
2	2329, 2332	"	"	"	"	"	"	21	
1	2334	"	"	"	"	"	"	21	
1	2324	"	"	1893	"	"	"	21	
2	1413, 1414	"	Strømmen	1895	B.37	"	11,7 ^{y)} 16,2	21	
2	1417, 1418	"	"	"	"	"	"	21	
2	1420, 1421	"	"	"	"	"	"	21	
2	1546, 1547	"	"	1897	Ukjent.	14,1	12,9 ^{y)} 17,6	21	
2	1548, 1549	"	"	"	"	"	"	21	
1	1550	"	"	"	"	"	"	21	
2	1521, 1523	"	"	1899	"	"	"	21	
2	1524, 1525	"	"	"	"	"	"	21	
2	1526, 1527	"	"	"	"	"	"	21	
2	1528, 1529	"	"	"	"	"	"	21	
1	1551	"	"	"	"	"	"	21	

^{y)} Henholdsvis til spalt og til overkant.

L 1.

TYPE 1.

Antall	Vogn nr.	Distrikt	Fabrikant	Bygge år	Hoved-tegning	Gulv-plate		Rum-inn-hold	Bremses, opvarming, belysning m.v. Se side 6	Anm.
						m ²	m ³			
2	1530, 1531	Oslo	Strømmen	1900	Ukjent	14,1	(12,9 ⁹) 17,6	21		
2	1533, 1534	"	"	"	"	"	"	21		
2	1535, 1536	"	"	"	"	"	"	21		
2	1538, 1539	"	"	"	"	"	"	21		
2	1540, 1542	"	"	"	"	"	"	21		
2	1543, 1544	"	"	"	"	"	"	21		
2	1545, 1552	"	"	"	"	"	"	21		
2	1553, 1554	"	"	"	"	"	"	21		
2	1555, 1556	"	"	"	"	"	"	21		
2	1557, 1558	"	"	"	"	"	"	21		
2	1559, 1560	"	"	"	"	"	"	21		
1	1561	"	"	"	"	"	"	21		
2	1563, 1564	"	"	1901	"	"	"	21		
1	1565	"	"	"	"	"	"	21		
2	1566, 1568	"	"	1903	"	"	"	21		
2	1569, 1570	"	"	"	"	"	"	21		
1	1571	"	"	"	"	"	"	21		



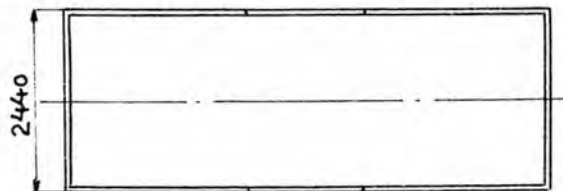
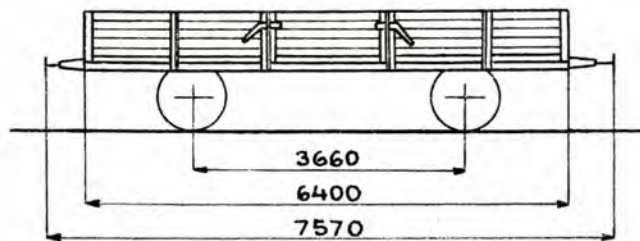
Omtrentl. egenvekt: 6,0t.

» lasteevne: 11,0 "

Kassevogn

Antall	Vogn nr.	Distrikt	Fabrikant	Bygge år	Hovedtegning	Gulvflate	Ruminnhold	Bremses, opvarming, belysning m.v. Se side 6	Anm.
						m ²	m ³		
2	2352, 2354	Oslo	Strømmen	1896	359	14,1	17,6	21	} Har nedslagslemmer.
2	2357, 2358	"	Moss.mek.v	1897	"	"	"	21	
2	8302, 8303	Hmr.	"	"	"	"	"	21	
8	8305-8312	"	"	"	"	"	"	21	
1	8314	"	"	"	"	"	"	21	
4	5112 - 5115	"	Strømmen	1900	"	"	"	21	
3	5117 - 5119	"	"	"	"	"	"	21	
6	5121 - 5126	"	"	"	"	"	"	21	
2	6731, 6733	Oslo	"	"	"	"	"	21	
4	6734 - 6737	"	"	"	"	"	"	21	
5	9821 - 9825	Brg.	Skabo	1902	616	13,0	13,0	21	} 2,2 m. bred døråpning. Høie endevegger.
10	10626 - 10635	Thm.	Eidsfoss	"	672	14,2	16,3	21	
28	15641 - 15668	Drn.	"	1908	616	13,0	13,0	21	
26	15670 - 15695	"	"	"	"	"	"	21	
14	15696 - 15709	"	Moss.mek.v	1909	672	14,2	16,3	21	
1	15710	"	"	"	"	"	"	21	

L1
TYPE 3

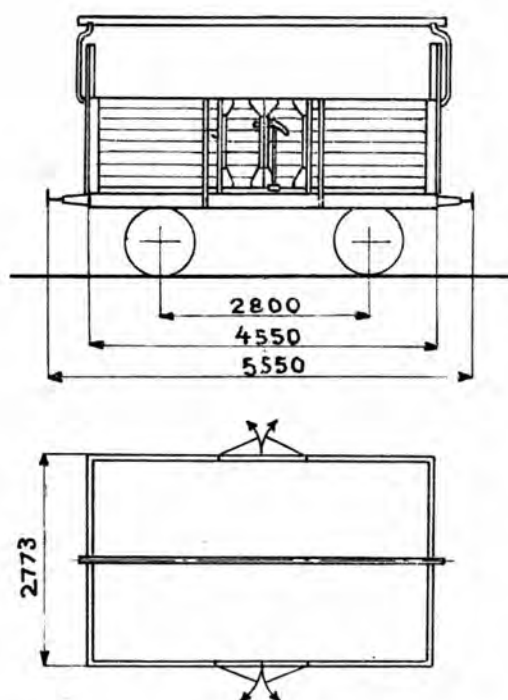


Omtrentl. egenvekt: 5,5t.

” lasteevne: 11,5t

Kassevogn

Antall	Vogn nr.	Distrikt	Fabrikant	Bygge- år	Hoved- tegning	Gulv- flate	Rum- inn- hold	Bremses, opvarming, belysning m.v. Se side 6	Anm.
						m ²	m ³		
2	15604, 15606	Drnm.	Skabo	1901	556	14,8	7,4	21	
2	15618, 15620	”	”	”	”	”	”	21	
1	15630	”	”	”	”	”	”	21	
1	15634	”	”	1902	”	”	”	21	



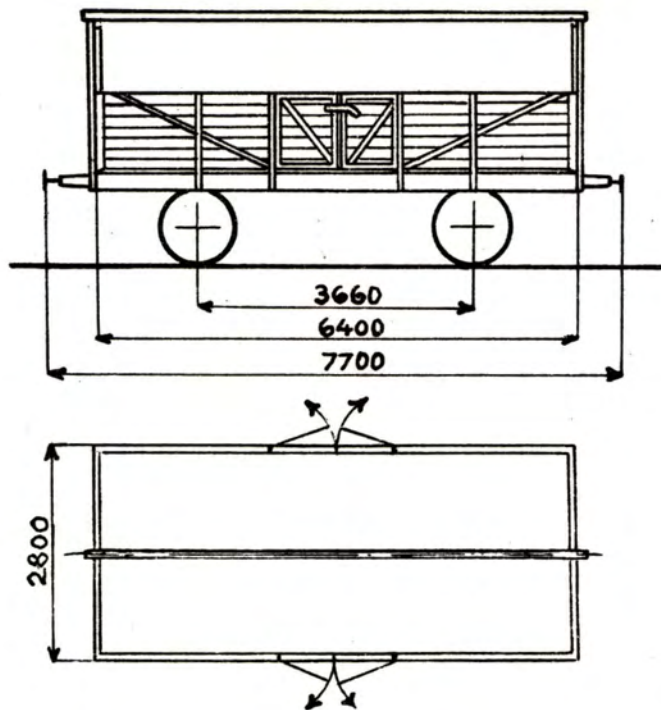
Omtrentl. egenvekt: 7,0t.

» lasteevne: 16,0»

Kassevogn

Antall	Vogn nr.	Distrikt	Fabrikant	Bygge- år	Hoved- tegning	Gulv- flate	Rum- inn- hold	Brems, opvarming, belysning m.v. Se side 6	Anm.
						m ²	m ³		
2	23387, 23388	T.P.B.	Skabo	1908	☞	11,8	13,0	21	
2	23390, 23392	"	"	"	"	"	"	21	
2	23393, 23394	"	"	"	"	"	"	21	
2	23397, 23398	"	"	"	"	"	"	21	
1	23399	"	"	"	"	"	"	21	
3	23400-23402	"	"	"	"	"	"	15.21	
2	23403, 23404	"	"	"	"	"	"	15.21	
1	23405	"	"	"	"	"	"	15.21	
3	23406-23408	"	"	"	"	"	"	21	
2	23409, 23410	"	"	"	"	"	"	21	
1	23423	"	"	"	"	"	"	21	

☞ Skabos tegn. 199. Kasse efter ^H
Rjukanbanens tegn. F.26.



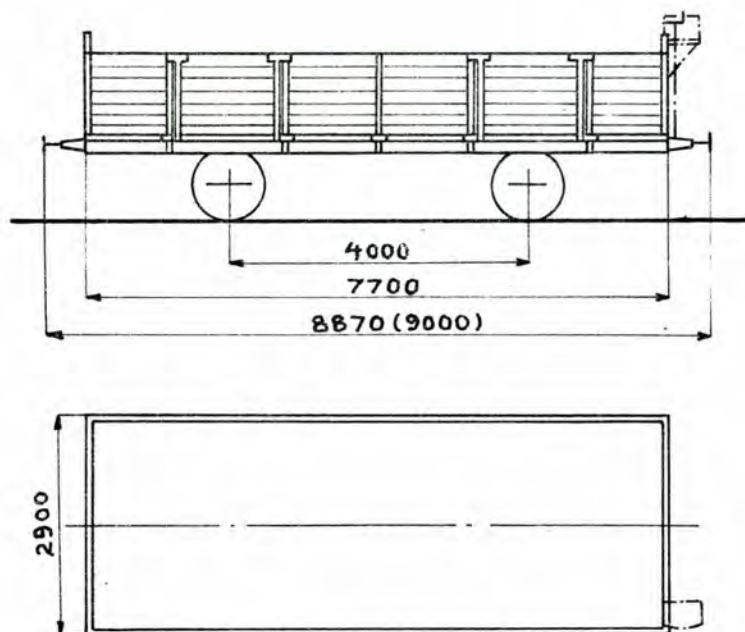
Kassevogn

Omtrentl. egenvekt: 6,2 t.

" lasteevne: 11,0 "

Antall	Vogn nr.	Distrikt	Fabrikant	Bygge- år	Hoved- tegning	Gulv- flate	Rom- inn- hold	Bremses, oppvarming, belysning m.v. Se side 6.	Anm.
						m.2	m.3		
1	2915	Oslo	Skabo	1899	376 + D. 10815	17,0	18,7	21	} Tidl. G2-vogner.
1	3248	"	Strømmen	1901	"	"	"	2.6.21	
1	5083	Hmr	"	1910	"	"	"	21	

L3
TYPE 1

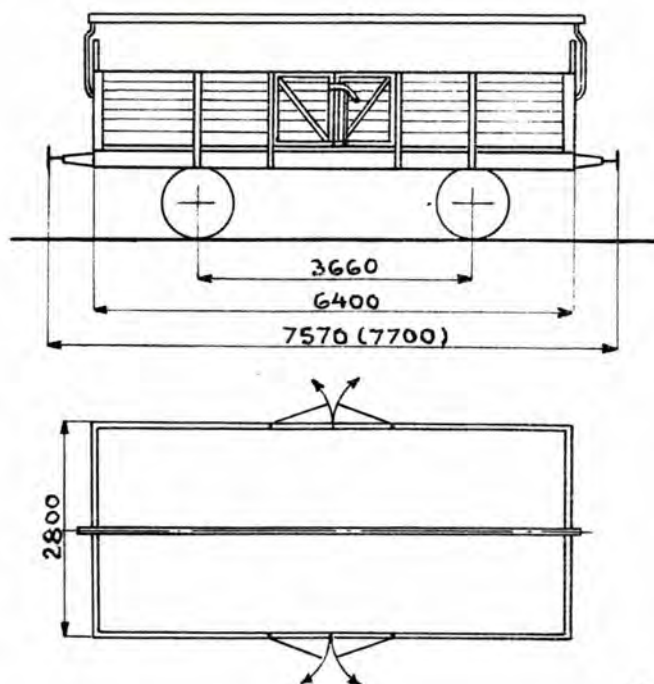


Omtrentl. egenvekt: 8,0-8,5t.

” lasteevne: 14,5-15,0t

Kassevogn

Antall	Vogn nr.	Distrikt	Fabrikant	Bygge år	Hoved-tegning	Gulv-plate	Rum-innhold	Bremsar, opvarming, belysning m.v. Se side 6	Anm.
						m ²	m ³		
1	13003	Nrv.	Skabo	1901	578	21,4	21,4	6.15.21	
1	13004	”	”	”	”	”	”	15.21	
2	13033, 13034	”	Eidsfos	1905	”	”	”	3,15	
2	13035, 13036	”	”	”	”	”	”	3,15	
2	13037, 13038	”	”	”	”	”	”	3,15	
2	13039, 13040	”	”	”	”	”	”	3,15	
2	13074, 13075	”	”	1917	”	”	”	15.21	
1	13076	”	”	”	”	”	”	15.21	
2	13082, 13083	”	Strømmen	1922	”	”	”	15.21	



Omtrentl. egenvekt: 7,0t.

» lasteevne: 15,5»

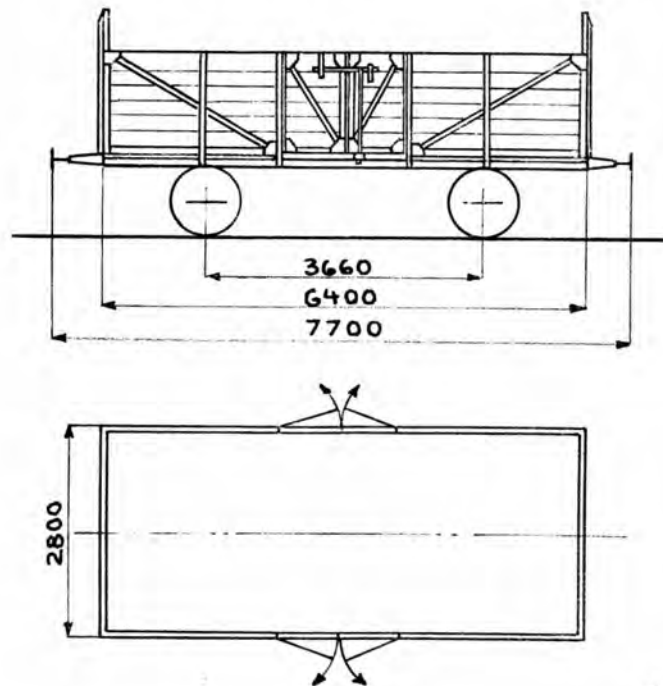
Kassevogn

Antall	Vogn nr.	Distrikt	Fabrikant	Bygge år	Hovedtegning	Gulvflate	Ruminnhold	Bremses, opvarming, belysning m.v. Se side 6	Anm.
						m ²	m ³		
10	10641-10650	Thm.	Skabo	1910	1070	17,0	17,0	21	
25	15711-15735	Drm.	Moss.mek.v.	"	"	"	"	21	
25	15736-15760	"	Aadals.Brug	"	"	"	"	21	
15	15761-15775	"	Strømmen	"	"	"	"	21	
1	3746	Oslo.	Oslo distr.	1913	1519	"	"	21	
12	5621-5632	Thm.	Hmr.Jernst	"	"	"	"	21	
50	20001-20050	Drm.	"	"	"	"	"	21	
12	20741-20752	"	"	"	"	"	"	21	
18	5131-5148	Hmr.	Aadals.Brug	1916	"	"	"	21	
10	12806-12815	Thm.	Strømmen	"	"	"	"	21	
2	3702, 3705	Oslo	Oslo distr.	1918	"	"	"	21	
2	3727, 3732	"	"	"	"	"	"	21	
5	3783-3787	"	Strømmen	"	"	"	"	21	
10	6771-6780	"	"	"	"	"	"	21	
5	17036-17040	"	"	"	"	"	"	21	
20	6932-6951	"	Skabo	1921	"	"	"	21	
20	10571-10590	Thm.	"	"	"	"	"	21	
65	15806-15870	"	"	"	"	"	"	21	
2	3703, 3713	Oslo	Oslo distr.	1922	"	"	"	21	
2	3720, 3722	"	"	"	"	"	"	21	
2	3701, 3704	"	"	1923	"	"	"	21	

Forts.

L 3
TYPE 2

Antall	Vogn nr.	Distrikt	Fabrikant	Bygge år	Hoved- tegning	Gulv- flate		Rum- inn- hold	Bremses, opvarming, belysning m.v. Se side 6	Anm.
						m ²	m ³			
15	3675 - 3689	Oslo	Strømmen	1923	1519	17,0	17,0	21		
10	3791 - 3800	"	"	"	"	"	"	21		
8	15931 - 15938	Drm.	"	"	"	"	"	21		
5	3661 - 3665	Oslo	Aadals Brug	1924	"	"	"	21		
7	3706 - 3712	"	Oslo distr.	"	"	"	"	21		
6	3714 - 3719	"	"	"	"	"	"	21		
1	3721	"	"	"	"	"	"	21		
4	3723 - 3726	"	"	"	"	"	"	21		
4	3728 - 3731	"	"	"	"	"	"	21		
20	5407 - 5426	Hmr.	Strømmen	"	"	"	"	21		
25	12816 - 12840	Thm.	"	"	"	"	"	21		
12	15939 - 15950	Drm.	"	"	"	"	"	21		
10	15966 - 15975	"	"	"	"	"	"	21		
5	3666 - 3670	Oslo	Aadals Brug	1925	"	"	"	21		
10	5427 - 5436	Hmr.	"	"	"	"	"	21		
15	12841 - 12855	Thm.	"	"	"	"	"	21		
15	15976 - 15990	Drm.	"	"	"	"	"	21		
10	20264 - 20273	"	"	"	"	"	"	21		
15	16572 - 16586	"	Skabo	1928	"	"	"	21		



Omtrentl. egenvekt: 7,8 t.

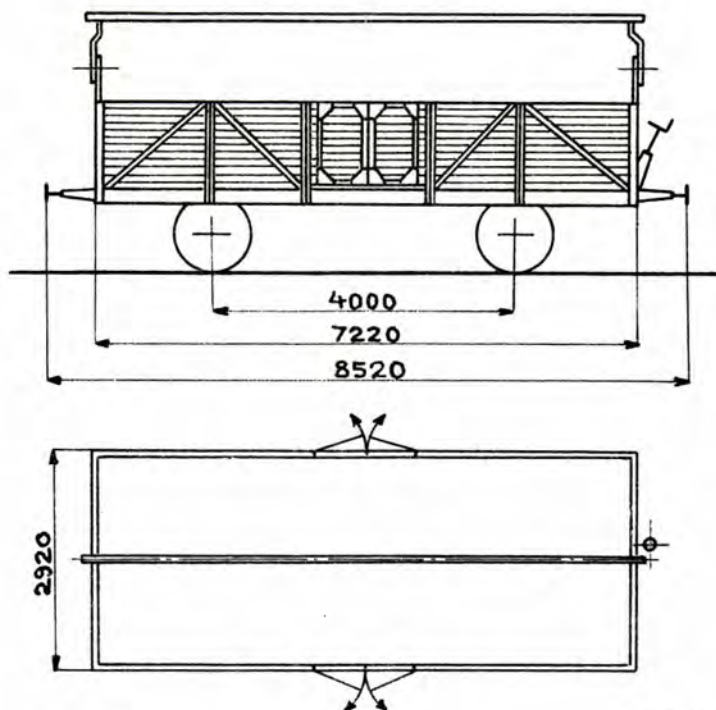
» lasteevne: 15,5 t

Kassevogn

Antall	Vogn nr.	Distrikt	Fabrikant	Bygge år	Hoved-tegning	Gulv-	Rum-	Bremses, opvarming, belysning m.v. Se side 6	Anm.
						flate	inn-		
						m ²	m ³		
5	3773 - 3777	Oslo	Eidsfos	1916	☞	16,9	19,6	21	
5	6716 - 6720	"	"	"	"	"	"	21	
5	3778 - 3782	"	Strømmen	1918	"	"	"	21	
5	6721 - 6725	"	"	"	"	"	"	21	
3	3788 - 3790	"	Skabo	1922	"	"	"	21	
3	17156 - 17158	"	"	"	"	"	"	21	
14	17536 - 17549	Thm.	"	"	"	"	"	21	

☞ Opr. Lg-vogner efter tegn. 2161.
Ombygget 1923-24.

L3
TYPE 4

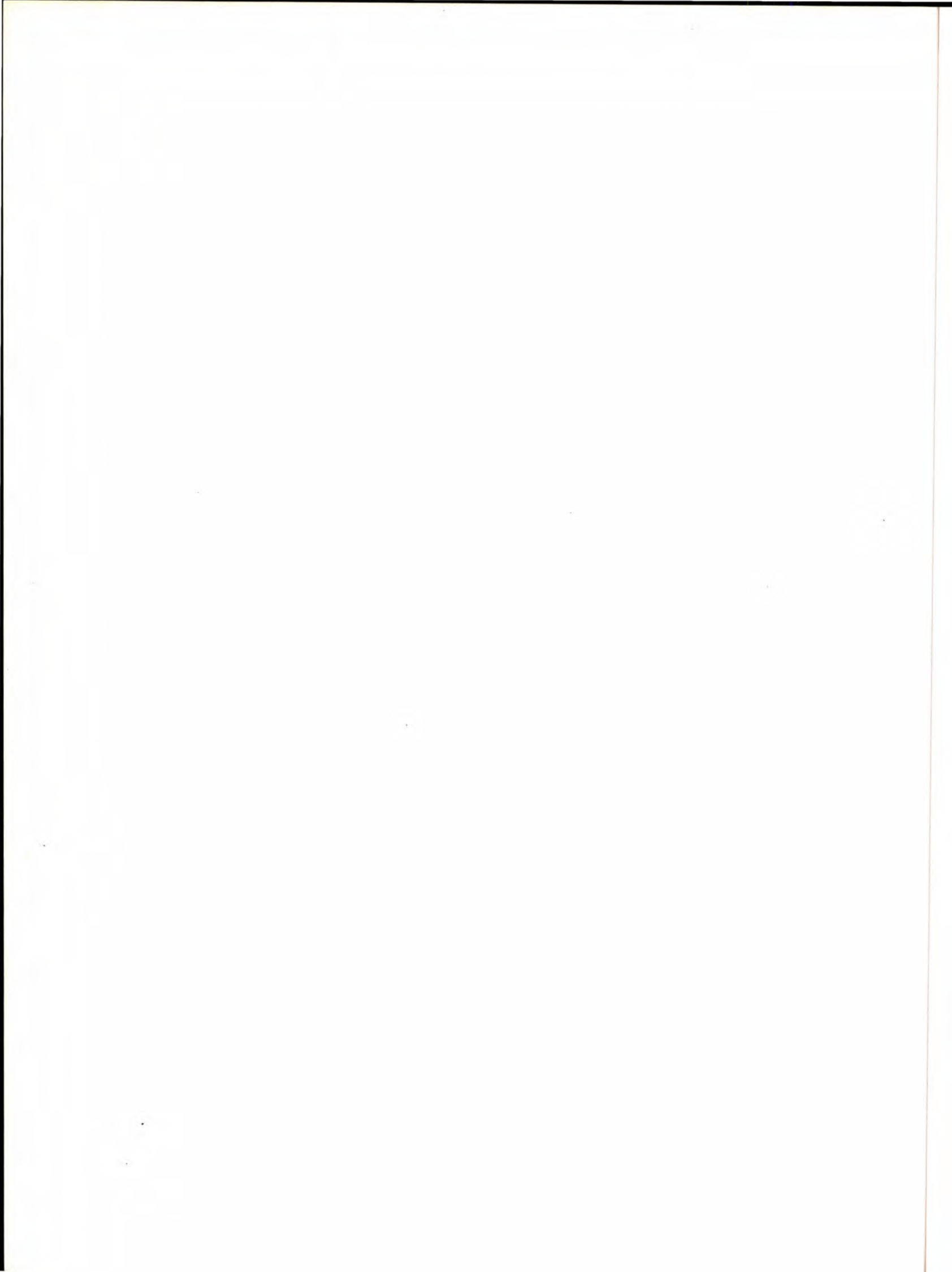


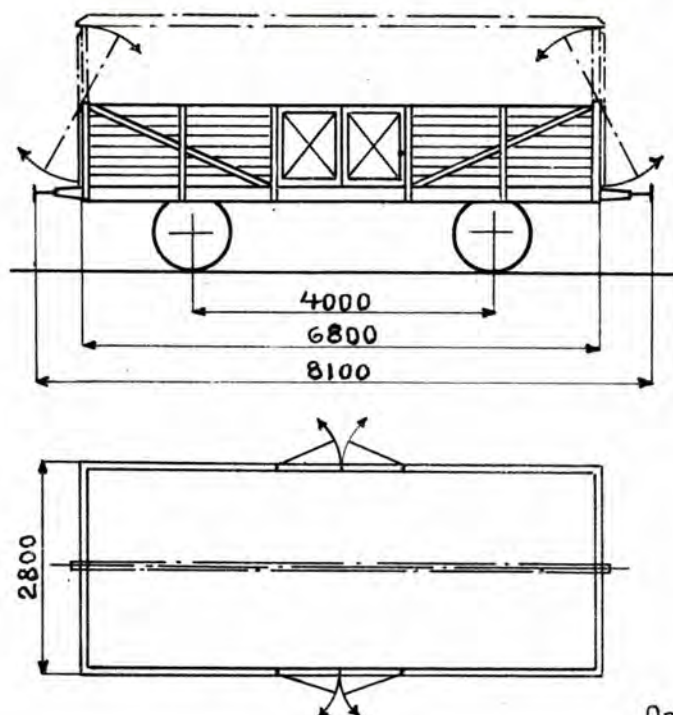
Omtrentl. egenvekt: 7,8 t.

» lasteevne: 15,5 «

Kassevogn

Antall	Vogn nr.	Distrikt	Fabrikant	Bygge år	Hoved-tegning	Gulv-plate	Rum-innhold	Brems, opvarming, belysning m.v. Se side 6	Anm.
						m ²	m ³		
1	23411	T.P.B.				19,7	19,7	3	} Overført fra Rjukanbanen.
1	23412	"				"	"	3	





Omtrentl. egenvekt: 8,5t.

” lasteevne: 20,0 ”

Kassevogn

ntall	Vogn nr.	Distrikt	Fabrikant	Bygge år	Hoved-tegning	Gulv-plate	Rum-inn-hold	Bremsar, opvarming, belysning m.v. Se side 6	Anm.
						m ²	m ³		
20	10551 - 10570	Thm	Innkjøpt fra Tyskland	1916		18,4	18,4	21.24	
40	11151 - 11190	Oslo	"	"		"	"	21.24	
7	32124 - 32130	Drm	"	"		"	"	21.24	
1	32131	"	"	"		"	"	21.24	Vedgrind.
3	32132 - 32134	"	"	"		"	"	21.24	
1	32136	"	"	"		"	"	21.24	Vedgrind.
3	32137 - 32139	"	"	"		"	"	21.24	
1	32140	"	"	"		"	"	21.24	Vedgrind.
2	32143 - 32145	"	"	"		"	"	21.24	
1	32146	"	"	"		"	"	21.24	Vedgrind.
1	32148	"	"	"		"	"	21.24	
1	32150	"	"	"		"	"	21.24	Vedgrind.
2	32151, 32152	"	"	"		"	"	21.24	
11	32155 - 32165	"	"	"		"	"	21.24	
1	32166	"	"	"		"	"	2.6.21.24	
6	32167 - 32172	"	"	"		"	"	21.24	
1	32173	"	"	"		"	"	21.24	Vedgrind.
1	32174	"	"	"		"	"	21.24	
1	32175	"	"	"		"	"	21.24	Vedgrind.
2	32176, 32177	"	"	"		"	"	21.24	
8	32180 - 32187	"	"	"		"	"	21.24	

Følgende vogner har presenningsbom og svingbare endevegger : 10561, 11153, 11165, 11188, 32125, 32127, 32129, 32130, 32132, 32133, 32148, 32152, 32157, 32163, 32164, 32172, 32174, 32180, 32207, 32268, 32454, 32456, 32457, 32474, 32527, 32645, 32666. Disse 27 vogner har fått trykkluftbremse (1H) og er overført til Bratsbergbanen.

TYPE 1. (forts.1)

Antall	Vogn nr.	Distrikt	Fabrikant	Bygge år	Hoved- tegning	Gulv- flate	Rum- inn- hold	Brems, oppvarming, belysning m.v. Se side 6	Anm.
						m ²	m ³		
1	32191	Oslo	Innkjøpt fra Tyskland	1916		18,4	18,4	24	
1	32192	"	"	"		"	"	21.24	
2	32193, 32194	"	"	"		"	"	24	
1	32195	"	"	"		"	"	21.24	
11	32196-32206	"	"	"		"	"	24	
2	32207, 32208	"	"	"		"	"	21.24	
1	32209	"	"	"		"	"	24	
1	32210	"	"	"		"	"	21.24	
3	32211-32213	"	"	"		"	"	24	
1	32214	"	"	"		"	"	21.24	
2	32215, 32216	"	"	"		"	"	24	
1	32217	"	"	"		"	"	21.24	
16	32218-32233	"	"	"		"	"	24	
1	32234	"	"	"		"	"	21.24	
1	32235	"	"	"		"	"	24	
1	32236	"	"	"		"	"	21.24	
2	32237, 32238	"	"	"		"	"	24	
1	32239	"	"	"		"	"	21.24	
1	32240	"	"	"		"	"	24	
1	32241	"	"	"		"	"	21.24	
2	32242, 32243	"	"	"		"	"	24	
1	32244	"	"	"		"	"	21.24	
2	32245, 32246	"	"	"		"	"	24	
1	32247	"	"	"		"	"	21.24	
3	32248-32250	"	"	"		"	"	24	
1	32251	"	"	"		"	"	21.24	
1	32252	"	"	"		"	"	24	
1	32268	"	"	"		"	"	21.24	
2	32269, 32270	"	"	"		"	"	24	
1	32271	"	"	"		"	"	21.24	
1	32272	"	"	"		"	"	24	
1	32273	"	"	"		"	"	21.24	
4	32274-32277	"	"	"		"	"	24	
1	32278	"	"	"		"	"	21.24	
3	32279-32281	"	"	"		"	"	24	
1	32282	"	"	"		"	"	21.24	
3	32283-32285	"	"	"		"	"	24	
1	32286	"	"	"		"	"	21.24	
2	32287, 32288	"	"	"		"	"	24	
1	32289	"	"	"		"	"	21.24	
6	32290-32295	"	"	"		"	"	24	
2	32296, 32297	"	"	"		"	"	21.24	
3	32298-32300	"	"	"		"	"	24	
1	32301	"	"	"		"	"	21.24	

forts.

Antall	Vogn nr.	Distrikt	Fabrikant	Bygge år	Hoved- tegning	Gulv- flate	Rum- inn- hold	Brems, opvarming, belysning m.v. Se side 6	Anm.
						m ²	m ³		
1	32307	Oslo	Innkjøpt fra Tyskland 1916			18,4	18,4	24	
1	32308	"	"	"	"	"	"	21. 24	
2	32310, 32311	"	"	"	"	"	"	24	
1	32315	"	"	"	"	"	"	21. 24	
1	32316	"	"	"	"	"	"	24	
2	32321, 32322	"	"	"	"	"	"	24	
1	32323	"	"	"	"	"	"	21. 24	
1	32325	"	"	"	"	"	"	24	
2	32326, 32327	"	"	"	"	"	"	21. 24	
2	32329, 32330	"	"	"	"	"	"	24	
1	32331	"	"	"	"	"	"	21. 24	
2	32335, 32338	"	"	"	"	"	"	24	
1	32339	"	"	"	"	"	"	21. 24	
1	32340	"	"	"	"	"	"	24	
2	32343, 32344	"	"	"	"	"	"	24	
2	32347, 32349	"	"	"	"	"	"	24	
1	32351	"	"	"	"	"	"	21. 24	
3	32353-32355	"	"	"	"	"	"	24	
1	32356	"	"	"	"	"	"	21. 24	
2	32358, 32359	"	"	"	"	"	"	24	
1	32362	"	"	"	"	"	"	24	
4	32365-32368	"	"	"	"	"	"	24	
2	32369, 32370	"	"	"	"	"	"	21. 24	
1	32371	"	"	"	"	"	"	2. 6. 21. 24	
1	32372	"	"	"	"	"	"	24	
2	32373, 32374	"	"	"	"	"	"	21. 24	
2	32375, 32376	"	"	"	"	"	"	24	
7	32377	"	"	"	"	"	"	21. 24	
7	32378-32384	"	"	"	"	"	"	24	
1	32385	"	"	"	"	"	"	21. 24	
6	32386-32391	"	"	"	"	"	"	24	
1	32392	"	"	"	"	"	"	21. 24	
3	32393-32395	"	"	"	"	"	"	24	
1	32396	"	"	"	"	"	"	21. 24	
4	32397-32400	"	"	"	"	"	"	24	
1	32401	"	"	"	"	"	"	21. 24	
1	32402	"	"	"	"	"	"	24	
1	32451	Drn.	"	"	"	"	"	21. 24	
1	32452	"	"	"	"	"	"	21. 24	
7	32453-32459	"	"	"	"	"	"	21. 24	
2	32461, 32462	Thm.	"	"	"	"	"	21. 24	
1	32464	"	"	"	"	"	"	21. 24	
3	32465-32467	"	"	"	"	"	"	24	
5	32468-32472	"	"	"	"	"	"	21. 24	

Vedgrind

L4

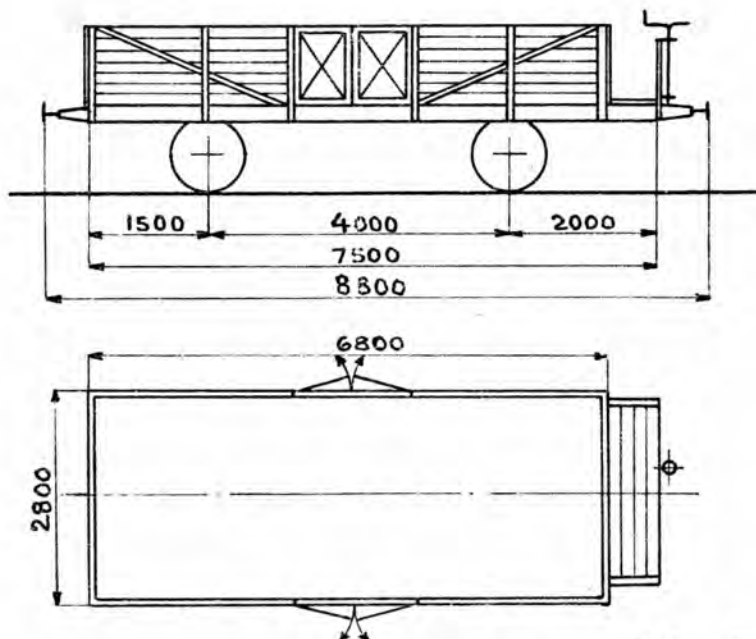
TYPE 1 (forts.3)

Antall	Vogn nr.	Distrikt	Fabrikant	Bygge år	Hovedtegning	Gulvflate	Ruminnhold	Bremser, opvarming, belysning m.v. Se side 6	Anm.
						m ²	m ³		
1	32473	Thm.	Innkjøpt fra Tyskland	1916		18,4	18,4	24	
1	32474	"	"	"		"	"	21,24	
2	32476, 32479	"	"	"		"	"	24	
1	32480	"	"	"		"	"	21,24	
1	32481	"	"	"		"	"	24	
2	32483, 32484	"	"	"		"	"	24	
1	32485	"	"	"		"	"	21,24	
1	32486	"	"	"		"	"	24	
1	32488	"	"	"		"	"	21,24	
1	32489	"	"	"		"	"	24	
1	32513	Brg	"	"		"	"	21,24	
2	32514, 32515	"	"	"		"	"	24	
2	32517, 32519	"	"	"		"	"	24	
3	32520 - 32522	"	"	"		"	"	24	
2	32525, 32526	"	"	"		"	"	24	
2	32527, 32529	"	"	"		"	"	21,24	
2	32530, 32531	"	"	"		"	"	24	
1	32533	"	"	"		"	"	21,24	
2	32535, 32541	"	"	"		"	"	24	
1	32542	"	"	"		"	"	21,24	
9	32543 - 32551	"	"	"		"	"	24	
1	32554	"	"	"		"	"	24	
3	32557 - 32559	"	"	"		"	"	24	
1	32561	"	"	"		"	"	24	
1	32562	"	"	"		"	"	21,24	
2	32564, 32566	"	"	"		"	"	24	
1	32567	"	"	"		"	"	21,24	
2	32568, 32571	"	"	"		"	"	24	
3	32573 - 32575	"	"	"		"	"	24	
2	32576, 32579	"	"	"		"	"	21,24	
2	32580, 32582	"	"	"		"	"	24	
1	32583	"	"	"		"	"	24	
1	32584	"	"	"		"	"	21,24	
3	32585 - 32587	"	"	"		"	"	24	
1	32589	"	"	"		"	"	21,24	
2	32590, 32592	"	"	"		"	"	24	
5	32593 - 32597	Oslo	"	"		"	"	24	
1	32599	"	"	"		"	"	24	
1	32601	"	"	"		"	"	21,24	
6	32602 - 32607	"	"	"		"	"	24	
1	32609	"	"	"		"	"	24	
1	32611	"	"	"		"	"	21,24	
2	32612, 32613	"	"	"		"	"	24	
2	32615, 32617	"	"	"		"	"	24	

(forts.)

Antall	Vogn nr.	Distrikt	Fabrikant	Bygge år	Hoved- tegning	Gulv- flate	Rum- inn- hold	Bremses, opvarming, belysning m.v. Se side 6	Anm.
						m ²	m ³		
1	32618	Oslo	Innkjøpt fra Tyskland	1916		18,4	18,4	24	
1	32619	"	"	"		"	"	21.24	
1	32630	"	"	"		"	"	24	
2	32632 , 32633	"	"	"		"	"	24	
1	32634	"	"	"		"	"	21.24	
1	32635	"	"	"		"	"	24	
1	32637	"	"	"		"	"	21.24	
1	32638	"	"	"		"	"	24	
3	32642 - 32644	"	"	"		"	"	24	
1	32645	"	"	"		"	"	21.24	
1	32647	"	"	"		"	"	24	
2	32651 , 32652	"	"	"		"	"	24	
5	32655 - 32659	"	"	"		"	"	24	
2	32661 , 32663	"	"	"		"	"	24	
2	32664 , 32666	"	"	"		"	"	21.24	
1	32667	"	"	"		"	"	24	

L4
TYPE 2



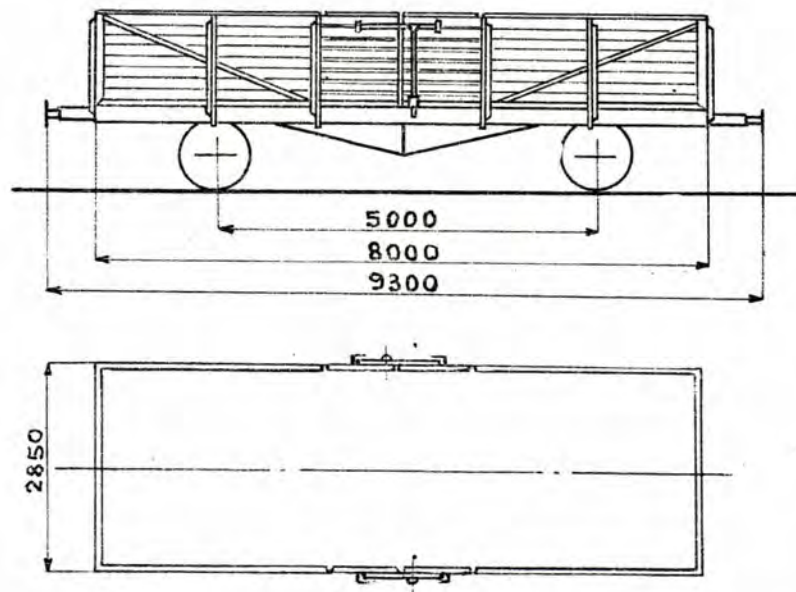
Omtrentl. egenvekt: 8,5t.

» lasteevne: 20,0 "

Kassevogn

Antall	Vogn nr.	Distrikt	Fabrikant	Bygge år	Hoved-tegning	Gulv-plate	Rum-inn-hold	Brems, opvarming, belysning m.v. Se side 6	Anm.
						m ²	m ³		
1	11192	Oslo	Innkjøpt Tyskland	Fra 1916		18,4	18,4	3.24	} Opr. Lf-vogner.
2	11384, 11389	"	"	"		"	"	3.24	
1	32190	"	"	"		"	"	3.24	
2	32262, 32263	"	"	"		"	"	3.24	
1	32266	"	"	"		"	"	3.24	
2	32312, 32341	"	"	"		"	"	3.24	
2	32342, 32363	"	"	"		"	"	3.24	
2	32463, 32490	Thm.	"	"		"	"	3.24	
1	32556	Brg.	"	"		"	"	3.24	
2	32640, 32649	Oslo	"	"		"	"	3.24	
2	32653, 32665	"	"	"		"	"	3.24	

L4
TYPE 3



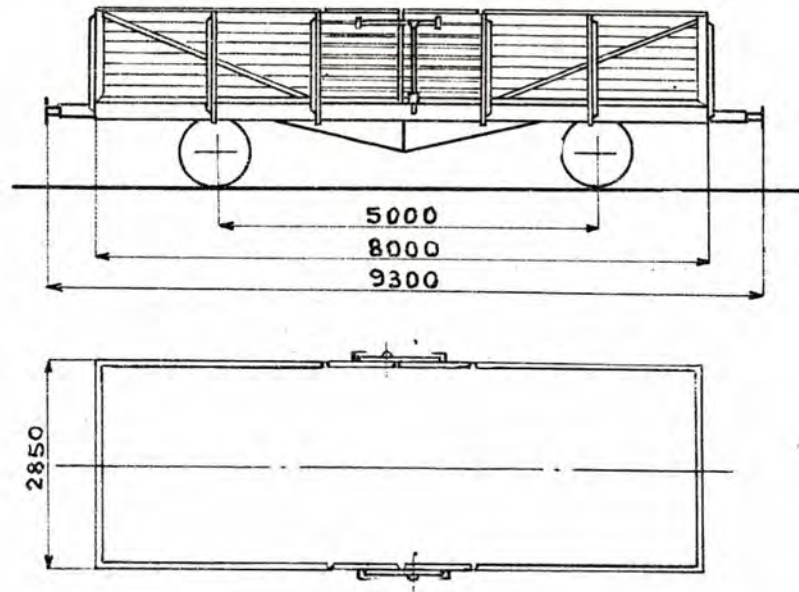
Omtrentl. egenvekt:

» lasteevne:

Kassevogn

Antall	Vogn nr.	Distrikt	Fabrikant	Bygge- år	Hoved- tegning	Gulv- flate	Rum- inn- hold	Bremses, opvarming, belysning m.v. Se side 6	Anm.
						m ²	m ³		
25	4134 - 4158	Oslo	Skabo	1936	3989	21,8	24,0	15. 21. 24	Ikke levert pr 1/1-36

L4
TYPE 3

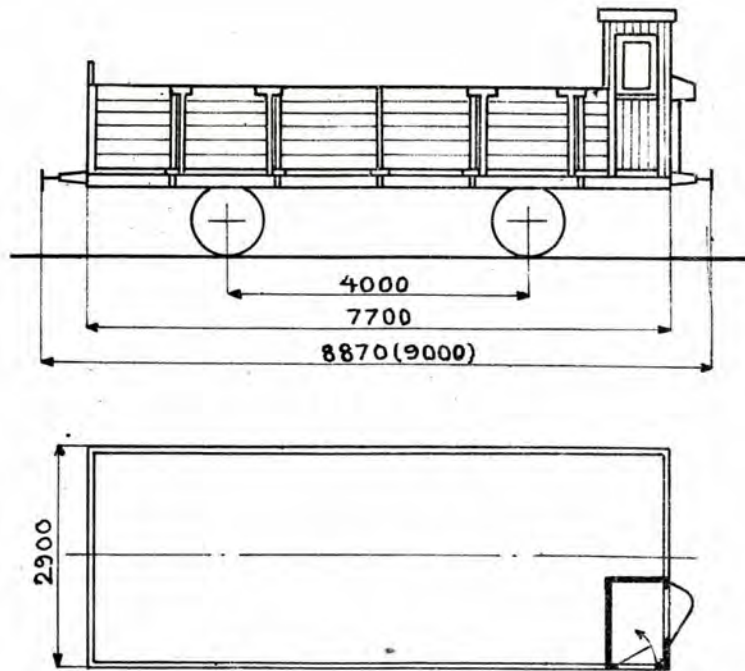


Omtrentl. egenvekt:

” lasteevne:

Kassevogn

Antall	Vogn nr.	Distrikt	Fabrikant	Bygge år	Hoved-tegning	Rum-innhold		Brems, opvarming, belysning m.v. Se side 6	Anm.
						Gulv-flate m ²	m ³		
25	4134 - 4158	Oslo	Skabo	1936	3989	21,8	24,0	15.21.24	Ikke levert pr 1/1-36



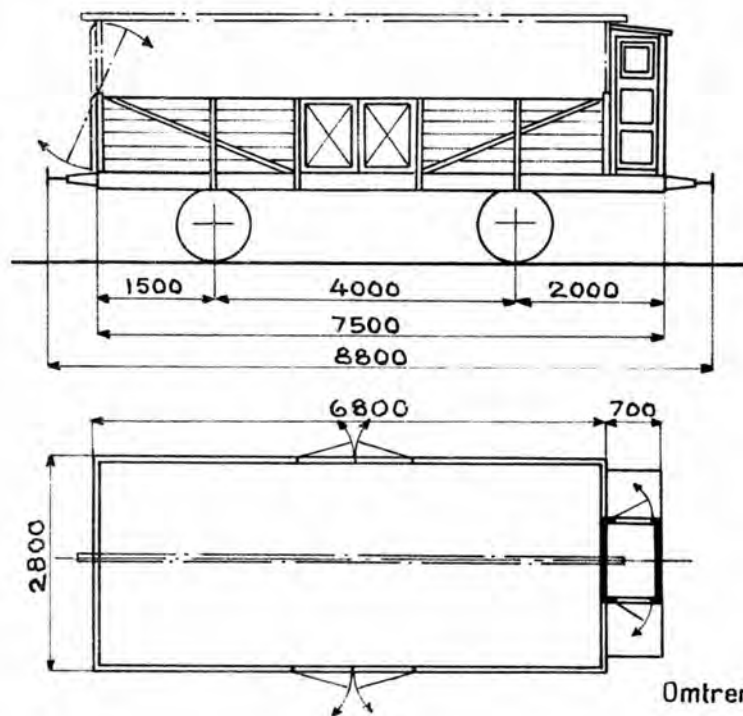
Omtrentl. egenvekt: 8,5t.

» lasteevne: 14,5t

Kassevogn

Antall	Vogn nr.	Distrikt	Fabrikant	Bygge år	Hoved-tegning	Gulv-	Rum-	Bremses, opvarming, belysning m.v. Se side 6	Anm.
						flate	inn-		
						m ²	hold		
2	13001,13002	Nrv.	Skabo	1901	578	20,5	20,4	3.6.15	
2	13077,13078	"	Eidsfos	1917	"	"	"	3.15	
1	13079	"	"	"	"	"	"	3.15	
2	13084,13085	"	Strømmen	1922	"	"	"	3.15	

Lf4
T.YPE 1



Omtrentl. egenvekt: 9,0t.
» lasteevne: 20,0»

Kassevogn

Antall	Vogn nr.	Distrikt	Fabrikant	Bygge år	Hovedtegning	Gulvflate	Ruminnhold	Bremses, opvarming, belysning m.v. Se side 6	Anm.
						m ²	m ³		
1	11191	Oslo	Innkjøpt Tyskland	fra 1916		18,4	18,4	3.24	
8	11193 - 11200	"	"	"		"	"	3.24	
3	11381 - 11383	"	"	"		"	"	3.24	
4	11385 - 11388	"	"	"		"	"	3.24	
11	11390 - 11400	"	"	"		"	"	3.24	
5	23418 - 23422	T.P.B.	"	"		"	"	1H.3.24	
2	32123, 32135	"	"	"		"	"	1H.3.24	
1	32141	"	"	"		"	"	1H.3.24	
1	32142	Drn.	"	"		"	"	3.24	
2	32144, 32147	T.P.B.	"	"		"	"	3.15.24	
1	32149	Drn.	"	"		"	"	3.24	
2	32153, 32154	T.P.B.	"	"		"	"	3.15.24	
2	32178, 32179	Drn.	"	"		"	"	3.24	
1	32188	Oslo	"	"		"	"	3.24	
1	32189	T.P.B.	"	"		"	"	3.15.24	
1	32253	Oslo	"	"		"	"	3.24	
1	32254	T.P.B.	"	"		"	"	3.15.24	
2	32255, 32256	Oslo	"	"		"	"	3.24	
1	32257	T.P.B.	"	"		"	"	3.15.24	
1	32258	Oslo	"	"		"	"	3.24	
1	32259	T.P.B.	"	"		"	"	1H.3.24	

Følgende vogner har presenningsbom og svingbar endevegg: 11200, 11390, 11395, 11396, 23419, 32123, 32135, 32141, 32144, 32147, 32153, 32154, 32189, 32254, 32257, 32259, 32260, 32265, 32267, 32305, 32309, 32324, 32333, 32336, 32346, 32360, 32361, 32364, 32450, 32516, 32523, 32536, 32537, 32555, 32565, 32569, 32570, 32581, 32598, 32614, 32620, 32623, 32624, 32625, 32627, 32628, 32639, 32648.

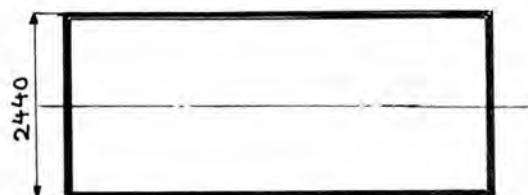
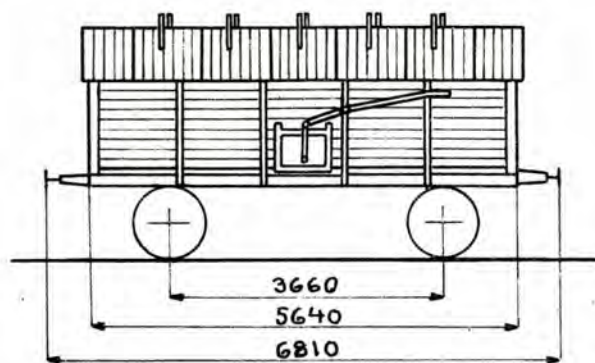
forts.

Antall	Vogn nr.	Distrikt	Fabrikant	Bygge år	Hoved-tegning	Gulv- flate	Rum- inn- hold	Bremser, opvarming, belysning m.v. Se side 6	Anm.
						m ²	m ³		
1	32260	T.P.B.	Innkjøpt fra Tyskland	1916		18,4	18,4	3.15.24	
2	32261, 32264	Oslo	"	"		"	"	3.24	
2	32265, 32267	T.P.B.	"	"		"	"	3.15.24	
3	32302 - 32304	Oslo	"	"		"	"	3.24	
1	32305	T.P.B.	"	"		"	"	3.15.24	
1	32306	Oslo	"	"		"	"	3.24	
1	32309	"	"	"		"	"	3.15.24	
2	32313, 32314	"	"	"		"	"	3.24	
4	32317 - 32320	"	"	"		"	"	3.24	
1	32324	T.P.B.	"	"		"	"	3.15.24	
2	32328, 32332	Oslo	"	"		"	"	3.24	
1	32333	T.P.B.	"	"		"	"	3.15.24	
1	32334	Oslo	"	"		"	"	3.24	
1	32336	T.P.B.	"	"		"	"	3.15.24	
2	32337, 32345	Oslo	"	"		"	"	3.24	
1	32346	T.P.B.	"	"		"	"	3.15.24	
2	32348, 32350	Oslo	"	"		"	"	3.24	
2	32352, 32357	"	"	"		"	"	3.24	
2	32360, 32361	T.P.B.	"	"		"	"	3.15.24	
1	32364	Oslo	"	"		"	"	3.24	
2	32450, 32460	Drn.	"	"		"	"	3.24	
2	32475, 32477	Thm.	"	"		"	"	3.24	
2	32478, 32482	"	"	"		"	"	3.24	
1	32487	"	"	"		"	"	3.24	
1	32516	Brg.	"	"		"	"	3.15.24	
1	32518	"	"	"		"	"	3.24	
1	32523	"	"	"		"	"	3.15.24	
2	32524, 32528	"	"	"		"	"	3.24	
2	32532, 32534	"	"	"		"	"	3.24	
2	32536, 32537	"	"	"		"	"	3.15.24	
3	32538 - 32540	"	"	"		"	"	3.24	
2	32552, 32553	"	"	"		"	"	3.24	
2	32555, 32560	"	"	"		"	"	3.24	
2	32563, 32565	"	"	"		"	"	3.24	
2	32569, 32570	"	"	"		"	"	3.24	
2	32572, 32577	"	"	"		"	"	3.24	
2	32578, 32581	"	"	"		"	"	3.24	
2	32588, 32591	"	"	"		"	"	3.24	
2	32598, 32600	Oslo	"	"		"	"	3.24	
2	32608, 32610	"	"	"		"	"	3.24	
1	32614	T.P.B.	"	"		"	"	3.15.24	
1	32616	Oslo	"	"		"	"	3.24	
1	32620	T.P.B.	"	"		"	"	3.15.24	
2	32621, 32622	Oslo	"	"		"	"	3.24	

LF4

TYPE 1 (forts.2)

Antall	Vogn nr.	Distrikt	Fabrikant	Bygge år	Hoved- tegning	Gulv- flate	Rum- inn- hold	Brems, opvarming, belysning m.v. Se side 6	Anm.
						m ²	m ³		
3	32623 - 32625	T.P.B	Innkjøpt fra Tyskland	1916		18,4	18,4	3.15.24	
4	32626 - 32629	Oslo	"	"		"	"	3.24	
2	32631 , 32636	"	"	"		"	"	3.24	
2	32639 , 32641	"	"	"		"	"	3.24	
2	32646 , 32648	"	"	"		"	"	3.24	
2	32650 , 32654	"	"	"		"	"	3.24	
2	32660 , 32662	"	"	"		"	"	3.24	



Omtrentl. egenvekt: 6,8 t.

” lasteevne: 10,5 t

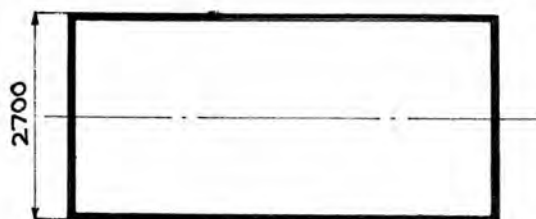
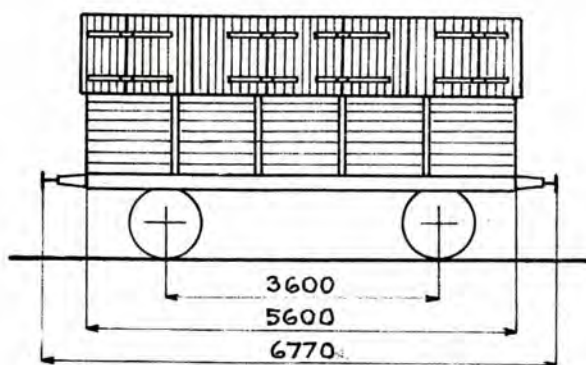
Gjødselvogn

Antall	Vogn nr.	Distrikt	Fabrikant	Bygge år	Hovedtegning	Gulvflate	Ruminnhold	Bremses, opvarming, belysning m.v. Se side 6	Anm.
						m ²	m ³		
1	2333	Oslo	Oslo distr.	1895	401	12,9	14,2	21	
1	2339	”	”	1897	”	”	”	21	
2	2346, 2349	”	”	1898	”	”	”	21	
2	6701, 6702	”	Strømmen	”	”	”	”	21	
6	6705-6710	”	”	”	”	”	”	21	
2	2325, 2326	”	Oslo distr.	1899	”	”	”	21	
2	2331, 2336	”	”	”	”	”	”	21	
2	2343, 2348	”	”	”	”	”	”	21	
4	11421-11424	”	Skabo	”	Ukjent	12,8	14,0	21	Ikke tömmeluger.
16	11426-11441	”	”	”	”	”	”	21	
5	11443-11447	”	”	”	”	”	”	21	
2	2316, 2323	”	Oslo distr.	1900	401	12,9	14,2	21	
2	2335, 2341	”	”	”	”	”	”	21	
1	2342	”	”	”	”	”	”	21	
11	11449-11459	”	Skabo	”	Ukjent	12,8	14,0	21	Ikke tömmeluger.
1	11462	”	”	”	”	”	”	21	
2	9801, 9804	Brg.	Strømmen	1901	401	12,9	14,2	2.21	
1	9805	”	”	”	”	”	”	2.21	
2	2301, 2303	Oslo	”	1902	606	”	”	21	
2	2304, 2305	”	”	”	”	”	”	21	
2	2310, 2312	”	”	”	”	”	”	21	

Lgl

TYPE 1 (forts.)

Antall	Vogn nr.	Distrikt	Fabrikant	Bygge år	Hoved- tegning	Gulv- flate	Rum- inn- hold	Bremses, opvarming, belysning m.v. Se side 6	Anm.
						m ²	m ³		
2	2313, 2315	Oslo	Strømmen	1902	606	12,9	14,2	21	
1	2317	"	"	"	"	"	"	21	
5	10621-10625	Thm.	"	"	"	"	"	21	
2	2309, 2322	Oslo	Oslo distr.	1904	"	"	"	21	
2	2328, 2338	"	"	"	"	"	"	21	
2	15951, 15955	Drn.	Skabo	"	"	"	"	21	
2	15956, 15958	"	"	"	"	"	"	21	
1	15959	"	"	"	"	"	"	21	
2	12802, 12803	Thm.	Strømmen	1905	"	"	"	21	} Nedslagslemmer istedetfor tömmeluger.
1	12805	"	"	"	"	"	"	21	

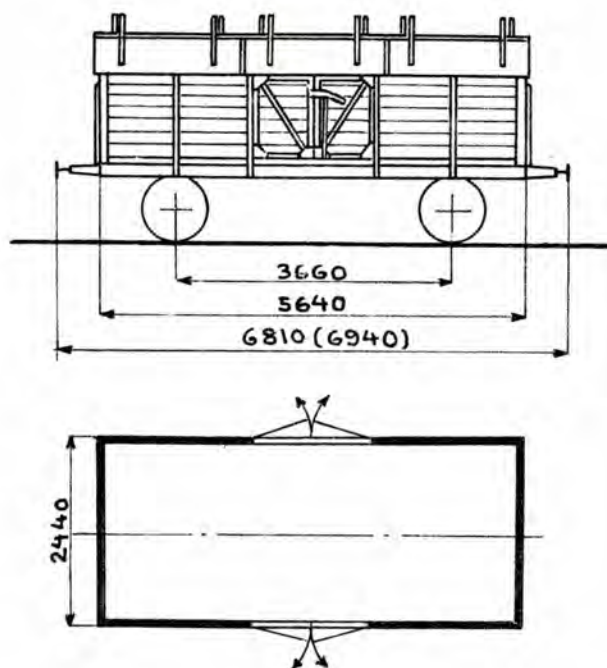


Omtrentl. egenvekt: 7,2 t.

» lasteevne: 15,5 "

Gjødselfvogn

Antall	Vogn nr.	Distrikt	Fabrikant	Bygge- år	Hoved- tegning	Gulv- flate	Rum- inn- hold	Bremses, opvarming, belysning m.v. Se side 6	Anm.
						m ²	m ³		
15	11463 - 11477	Oslo	Strømmen	1904		14,2	17,0	21	
10	11478 - 11487	"	"	1905		"	"	21	
10	11488 - 11497	"	"	1907		"	"	21	



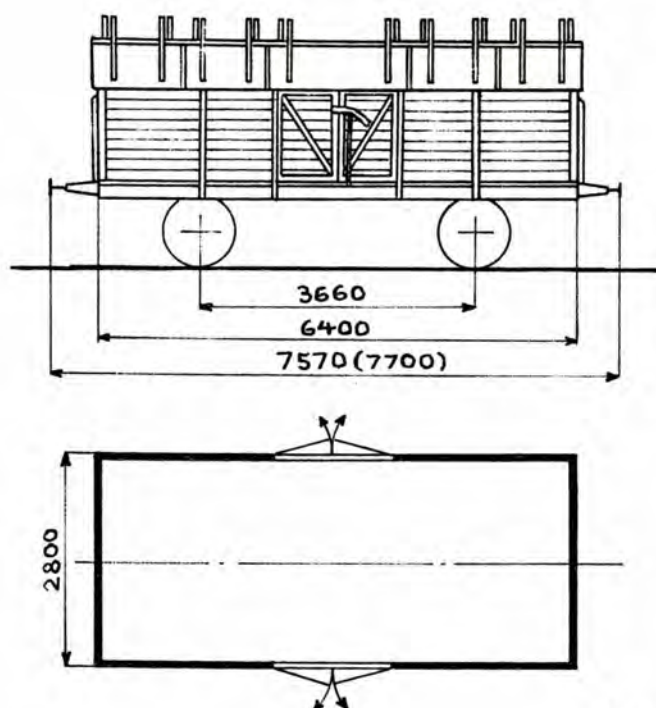
Omtrentl. egenvekt: 6,8t.

» lasteevne: 10,0 - 10,5»

Kalkvogn

Antall	Vogn nr.	Distrikt	Fabrikant	Bygge år	Hovedtegning	Gulvflate	Ruminnhold	Brems, opvarming, belysning m.v. Se side 6	Anm.
						m ²	m ³		
2	3734, 3763	Oslo	Strømmen	1882		13,0	15,6	21	} Ombyg. Oslo distr. 1900/07.
2	3764, 3769	"	"	"		"	"	21	
1	3770	"	"	"		"	"	21	
2	5181, 5182	Hmr.	Skabo	1901	593	"	11,0	21	} Ombyg. Dram. distr. 1934.
2	5183, 5184	"	"	"	"	"	"	21	
2	5185, 5186	"	"	"	"	"	"	21	
2	9802, 9803	Brg.	Strømmen	"	{ 606+ Drm.1359	12,9	14,2	21	
1	9806	"	"	"	"	"	"	21	
4	3691-3694	Oslo.	"	1903	{ 606 606+	13,0	15,0	21	
1	15952	Drm.	Skabo	1904	{ 606 Drm.1359	12,9	14,2	21	Ombyg. Dram. distr. 1934.
1	15953	"	"	"	{ 606 606+	"	"	21	" " " "
2	15954, 15957	"	"	"	{ 606 Drm.1359	"	"	21	" " " "
1	15960	"	"	"	{ 606 606+	"	"	21	" " " "
5	15961-15965	"	Strømmen	1905	{ 606 606+ Drm.1359	"	"	21	" " " "
4	5187-5190	Hmr.	"	1908	911	13,0	15,0	21	
20	5161-5180	"	Skabo	1909	"	"	"	21	
5	10636-10640	Thm.	"	"	"	"	"	21	

Lk3
TYPE 1

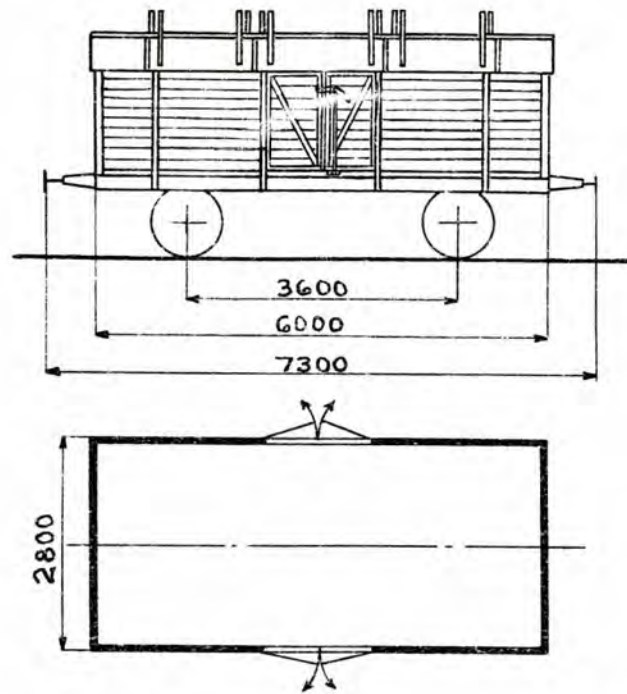


Omtrentl. egenvekt: 8,0t.

» lasteevne: 14,5 »

Kalkvogn

Antall	Vogn nr.	Distrikt	Fabrikant	Bygge år	Hovedtegning	Gulvflate	Ruminnhold	Brems, opvarming, belysning m.v. Se side 6	Anm.
						m ²	m ³		
10	15901 - 15910	Drm.	Strømmen	1910	1113	17,0	26,5	21	
5	10651 - 10655	Thm.	"	1914	1708	"	"	21	
5	6711 - 6715	Oslo.	"	1916	"	"	"	21	
5	6726 - 6730	"	Eidsfos	1917	"	"	"	21	
20	15911 - 15930	Drm.	"	1922	"	"	"	21	
10	16506 - 16515	"	Strømmen	1927	"	"	"	21	

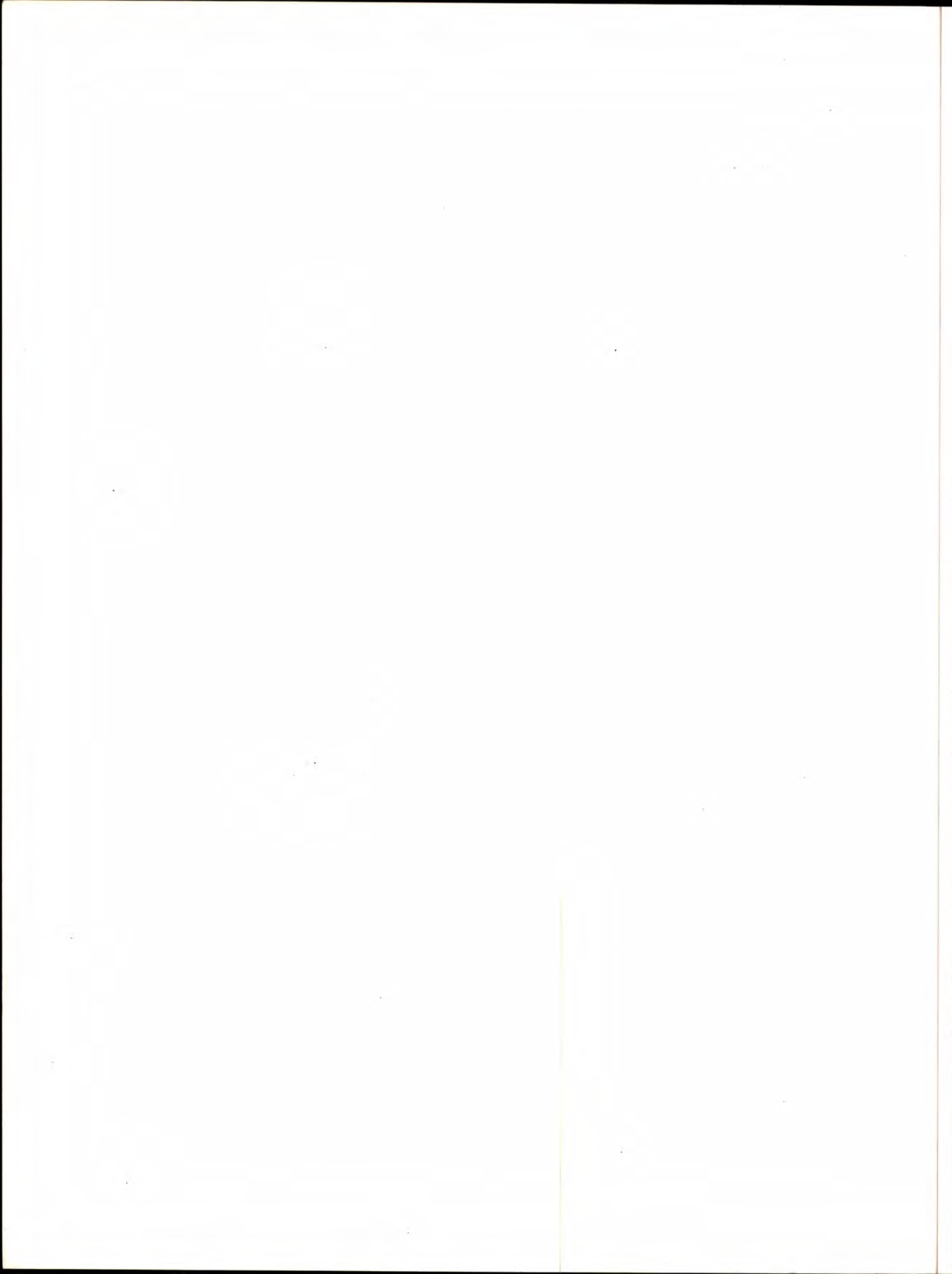


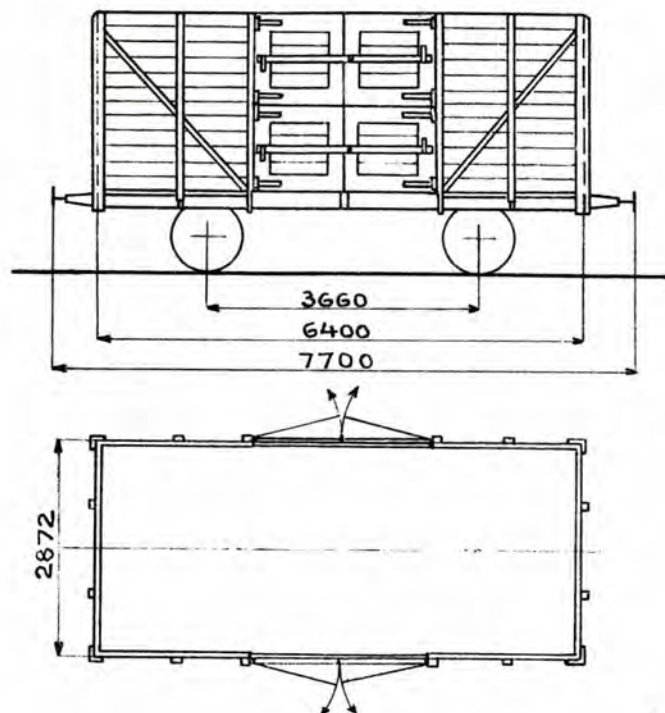
Omtrentl. egenvekt: 7,5t

” lasteevne: 15,0”

Kalkvogn

Antall	Vogn nr.	Distrikt	Fabrikant	Bygge år	Hoved- tegning	Gulv- flate	Rum- inn- hold	Bremses, opvarming, belysning m.v. Se side 6	Anm.
						m ²	m ³		
28	1422 - 1449	Oslo	Hovedb.V.	1909	B. 212 + 3762	15,9	24,4	21	Ombygget 1935.





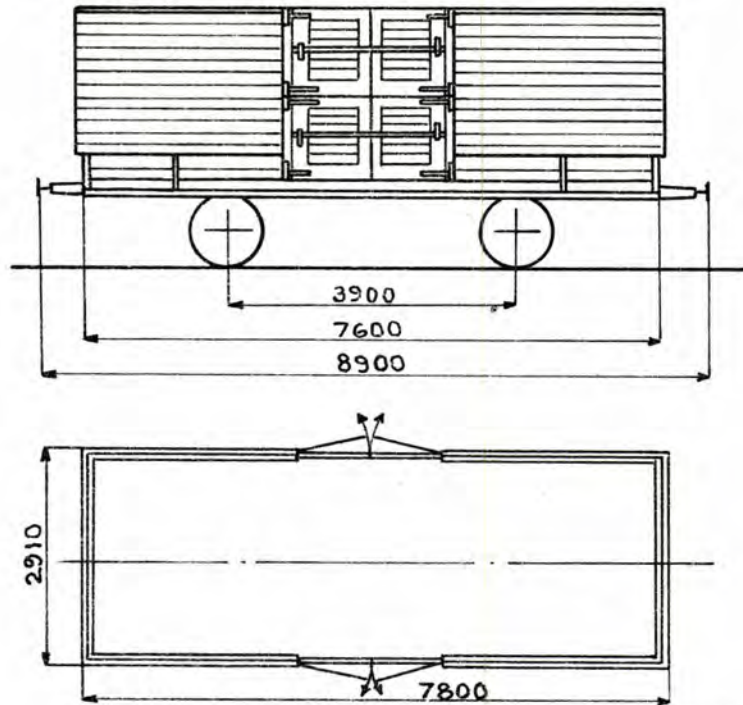
Omtrentl. egenvekt: 6,5t.

” lasteevne: 10,5”

Trekullvogn

Antall	Vogn nr.	Distrikt	Fabrikant	Bygge år	Hoved-tegning	Gulv-plate	Rum-inn-hold	Bremses, opvarming, belysning m.v. Se side 6	Anm.
						m ²	m ³		
2	15602, 15603	Dr.m.	Skabo	1901	556 + 3388	17,8	40,0	21	} Ombygget 1933/35.
2	15605, 15607	”	”	”	”	”	”	21	
3	15612 - 15614	”	”	”	”	”	”	21	
1	15619	”	”	”	”	”	”	21	
2	15625, 15626	”	”	”	”	”	”	21	
1	15635	”	”	1902	”	”	”	21	

Lt2
TYPE 3

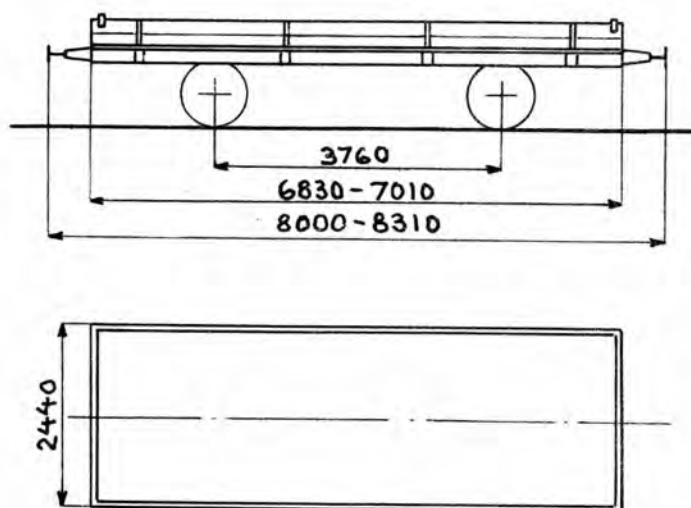


Omtrentl. egenvekt: 7,0t.

» lasteevne: 10,0 «

Trekullvogn

Antall	Vogn nr.	Distrikt	Fabrikant	Bygge år	Hoved-tegning	Gulv- flate	Rum- inn- hold	Bremsar, opvarming, belysning m.v. Se side 6	Anm.
						m ²	m ³		
20	2811 - 2830	Oslo	Strømmen	1908	815 + 3858	18,9	45,7	21	} Ny kasse 1935.
10	2851 - 2860	"	"	"	"	"	"	21	



Omtrentl. egenvekt: 6,0 t.

lasteevne: 11,0 "

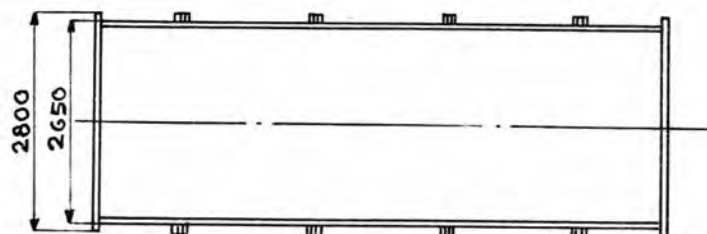
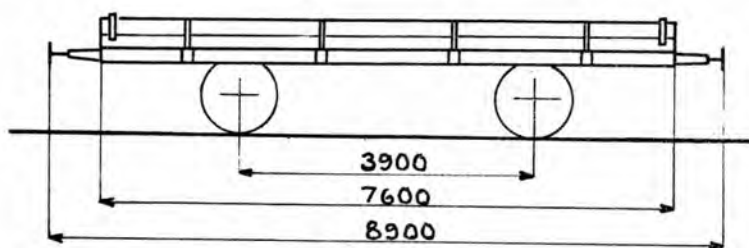
Grusvogn

Antall	Vogn nr.	Distrikt	Fabrikant	Bygge år	Hoved-tegning	Gulv-plate	Rum-inn-hold	Brems, opvarming, belysning m.v. Se side 6	Anm.	
						m ²	m ³			
2	3801 , 3802	Oslo	Skabo			15,9	5,0	21	}0mb.Oslo distr. 1900	
2	3804 , 3806	"	"			"	"	21		
2	3809 , 3810	"	"			"	"	21		
2	3811 , 3812	"	"			"	"	21		
2	3813 , 3814	"	"			"	"	21		
2	3818 , 3819	"	"			"	"	21		
1	3817	"	"			"	"	3		
2	2492 , 2496	"	} Strømmen Skabo Atlas	1876/82		15,5	4,8	21	}0mb.Oslo distr. 1906/15	
2	2497 , 2499	"					"	"		21
2	2500 , 2502	"					"	"		21
2	2504 , 2505	"					"	"		21
2	2506 , 2507	"					"	"		21
2	2508 , 2510	"					"	"		21
2	2511 , 2512	"					"	"		21
2	2513 , 2515	"					"	"		21
2	2517 , 2519	"					"	"		21
2	2520 , 2522	"					"	"		21
2	2523 , 2526	"					"	"		21
2	2527 , 2530	"					"	"		21
2	2531 , 2532	"					"	"		21

M₁

TYPE 1 (forts.)

Antall	Vogn nr.	Distrikt	Fabrikant	Bygge år	Hoved- tegning	Gulv- flate	Rum- inn- hold	Bremses, opvarming, belysning m.v. Se side 6	Anm.		
						m ²	m ³				
1	2533	Oslo	Strømmen Skabo Atlas	1876/82		15,5	4,8	21	} Omb. Oslo distr. 1906/15.		
2	2534 , 2535	"				"	"	"		"	21
2	2536 , 2538	"				"	"	"		"	21
2	2539 , 2540	"				"	"	"		"	21
1	3965	"	"	"		15,9	5,0	21			
2	4034 , 4059	"	"	"		"	"	21			
2	4110 , 4111	"	"	"		"	"	21			
2	16007 , 16025	Drm.	Strømmen	1892	47	"	"	21			
1	16002	"	"	1893	"	"	"	21			
2	16004 , 16005	"	Kværner	"	"	"	"	21			
1	16006	"	"	"	"	"	"	21			
2	16010 , 16012	"	Strømmen	"	"	"	"	21			
2	16013 , 16014	"	Kværner	"	"	"	"	21			
2	16016 , 16021	"	"	"	"	"	"	21			
1	16022	"	Strømmen	"	"	"	"	21			
1	16008	"	"	1898	"	"	"	21			
2	9501 , 9502	Brg.	"	1899	400	"	"	21			
2	9503 , 9504	"	"	"	"	"	"	21			
2	9505 , 9506	"	"	"	"	"	"	21			
2	9507 , 9508	"	"	"	"	"	"	21			
2	16001 , 16003	Drm.	"	"	"	"	"	21			
2	16017 , 16018	"	"	"	"	"	"	21			
2	16019 , 16020	"	"	"	"	"	"	21			
1	16024	"	"	"	"	"	"	21			
2	11501 , 11502	Oslo	"	1900	B.97	15,8	"	21			
2	11503 , 11504	"	"	"	"	"	"	21			
2	11505 , 11506	"	"	"	"	"	"	21			
2	11507 , 11508	"	"	"	"	"	"	21			
2	11509 , 11510	"	"	"	"	"	"	21			
2	11511 , 11512	"	"	"	"	"	"	21			
18	11513 - 11530	"	"	"	"	"	"	21			
2	2365 , 2372	"	"	1901	"	15,9	5,0	21			
2	2373 , 2376	"	"	"	"	"	"	21			
2	2379 , 2385	"	"	"	"	"	"	21			
2	2389 , 2392	"	"	"	"	"	"	21			
2	2395 , 2398	"	"	"	"	"	"	21			
2	2371 , 2381	"	Oslo distr.	1906/08	"	"	"	21			
2	2384 , 2386	"	"	"	"	"	"	21			
2	2392 , 2400	"	"	"	"	"	"	21			
16	10371 - 10386	Thm.	Skabo	1915	876	"	"	21	10387 sprøstøst R S		
13	10388 - 10400	"	"	"	"	"	"	21			

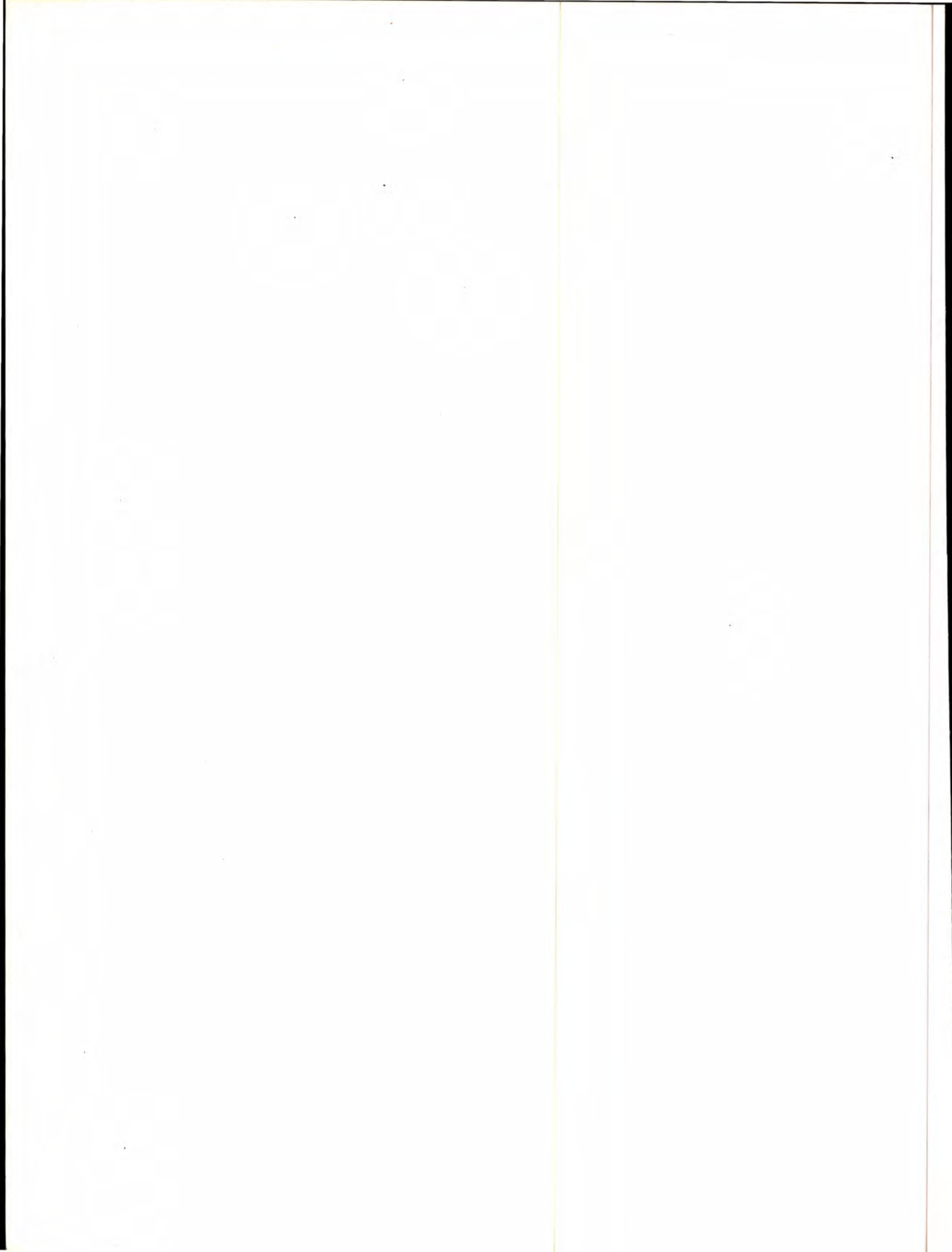


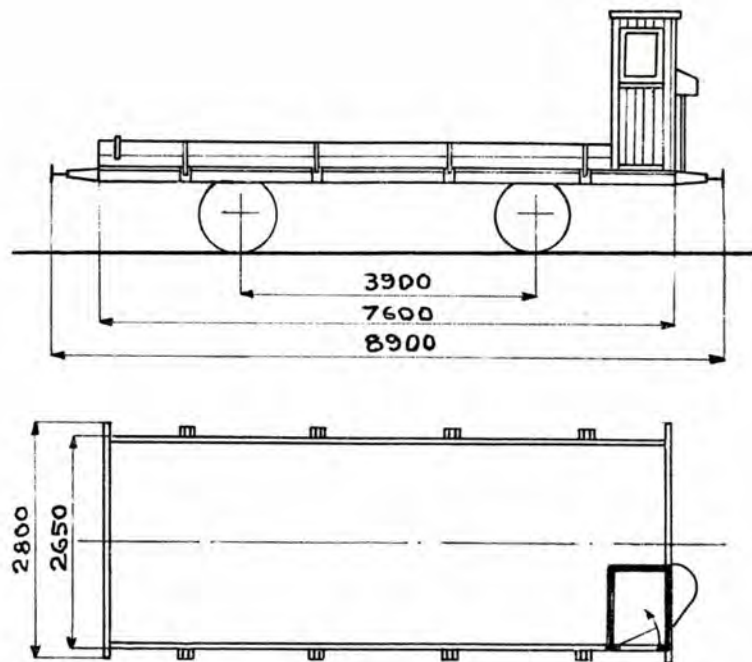
Omtrentl. egenvekt: 6,8 t.

» lasteevne: 10,0-10,5 "

Grusvogn

Antall	Vogn nr.	Distrikt	Fabrikant	Bygge år	Hoved-tegning	Gulv-plate	Rum-innhold	Bremses, opvarming, belysning m.v. Se side 6	Anm.
						m ²	m ³		
10	17510 - 17519	Thm.	Strömmen	1914	1850	19,0	5,0	21	
5	23008 - 23012	Drm.	Aadals Brug	"	"	"	"	21	Plateklædt varegulv.
2	23014, 23015	"	"	"	"	"	"	21	- " - - " -
1	23016	"	"	"	"	"	"	21	
1	23017	"	"	"	"	"	"	21	- " - - " -
6	23018 - 23023	T.P.B.	"	"	"	"	"	21	
6	23025 - 23030	"	"	"	"	"	"	21	
7	23031 - 23037	Drm.	"	"	"	"	"	21	
3	23038 - 23040	"	Strömmen	"	"	"	"	21	
7	23442 - 23448	"	"	"	"	"	"	21	
10	23449 - 23458	"	"	"	"	"	"	21	Plateklædt varegulv.



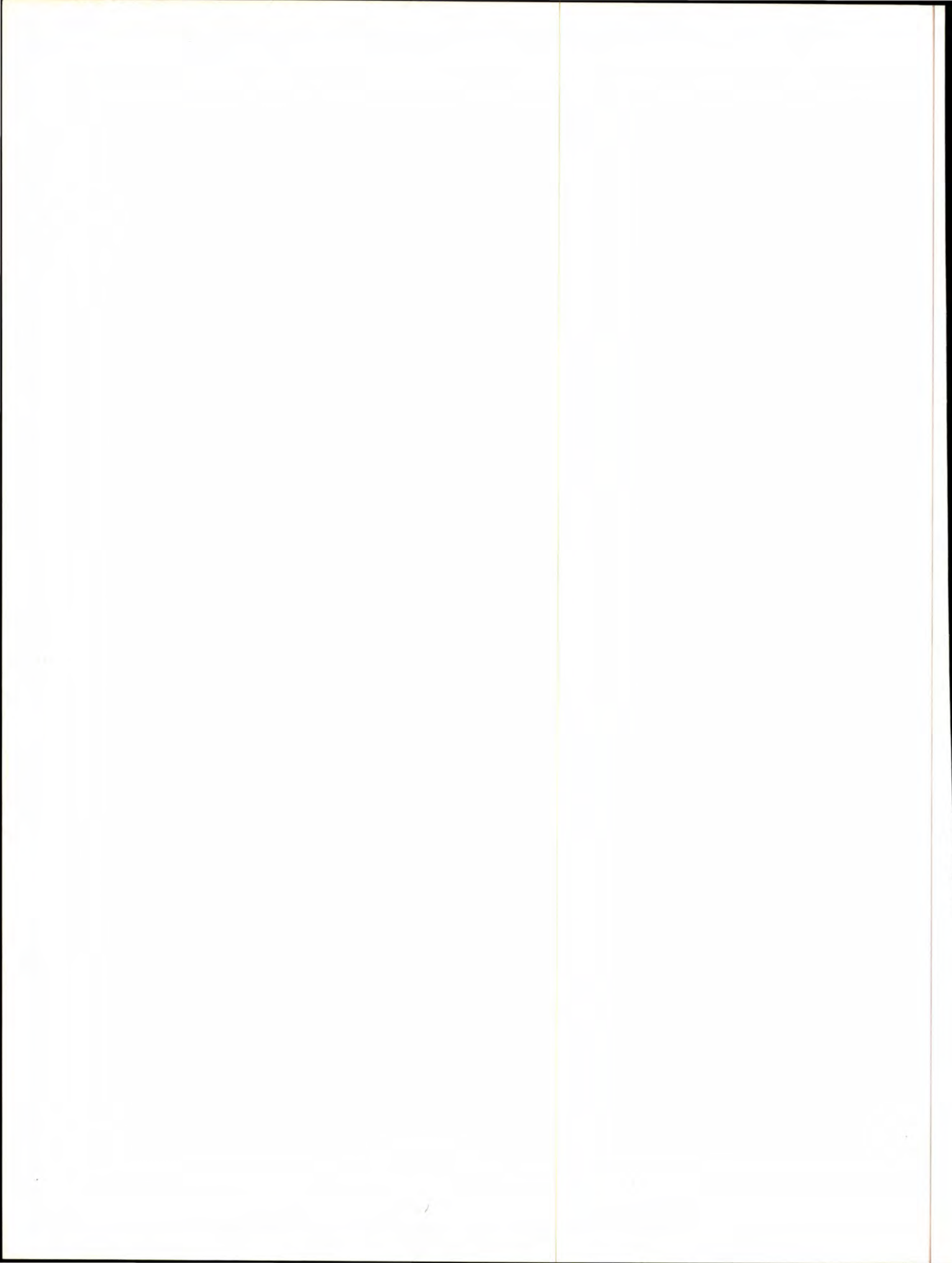


Omtrentl. egenvekt: 7,0t.

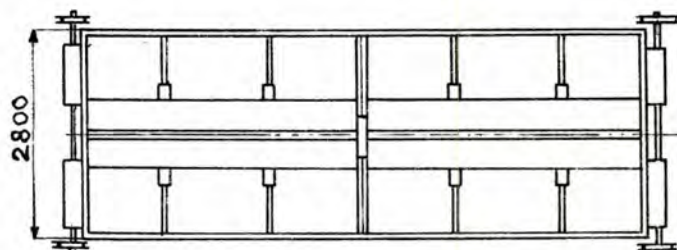
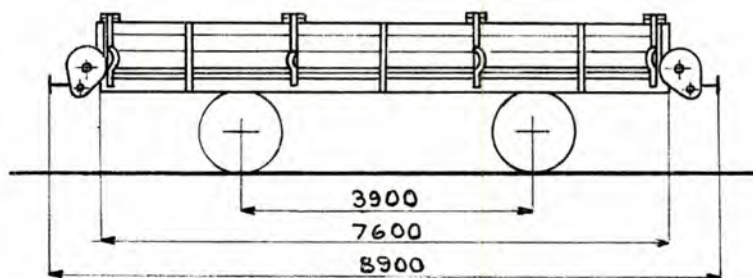
» lasteevne: 10,0 «

Grusvogn

Antall	Vogn nr.	Distrikt	Fabrikant	Bygge år	Hoved-tegning	Gulv-plate	Rum-innhold	Bremses, opvarming, belysning m.v. Se side 6	Anm.
						m ²	m ³		
2	5490, 5491	Thm.	Skabo	1915	1334+ 1849	18,3	4,8	3	Plateklædt varegulv.
9	5492-5500	"	"	"	"	"	"	3	
10	17520-17529	"	Srrömmen	"	"	"	"	3	
1	23459	Drn.	Skabo	"	"	"	"	3	
19	23461-23479	"	"	"	"	"	"	3	
13	23481-23493	"	"	"	"	"	"	3	
1	23495	"	"	"	"	"	"	3	
4	23497-23500	"	"	"	"	"	"	3	



M_s 3
TYPE 2



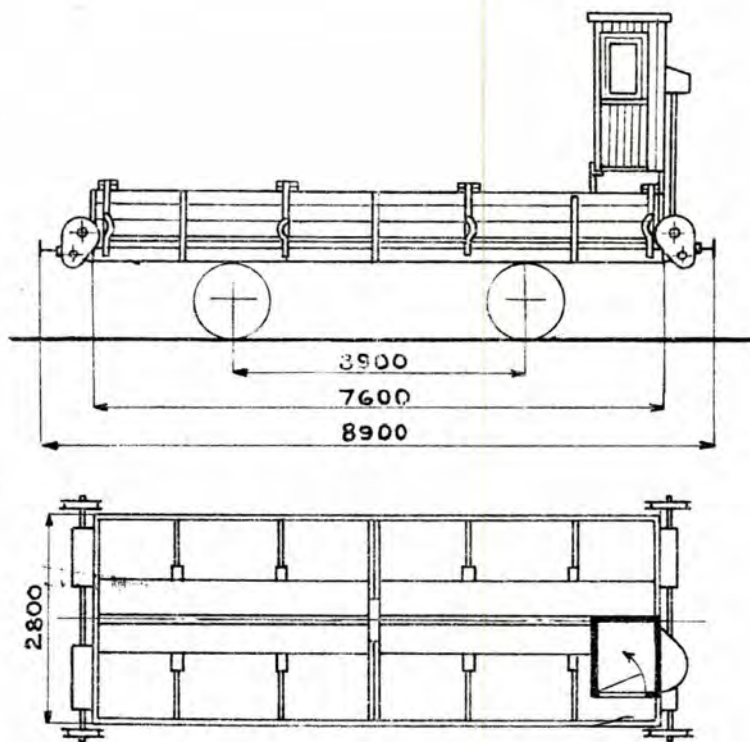
Omtrentl. egenvekt: 9,0t.

” lasteevne: 14,0 ”

Spesial grusvogn

Antall	Vogn nr.	Distrikt	Fabrikant	Bygge år	Hoved-tegning	Gulv-plate	Rum-innhold	Bremses, opvarming, belysning m.v. Se side 6	Anm.
						m ²	m ³		
10	2126 - 2135	Oslo	Strømmen	1921	2253	19,3	7,5	21	
4	6987 - 6990	"	"	"	"	"	"	21	
22	15871 - 15892	Drn.	"	1922	"	"	"	21	

Msf 3
TYPE 2



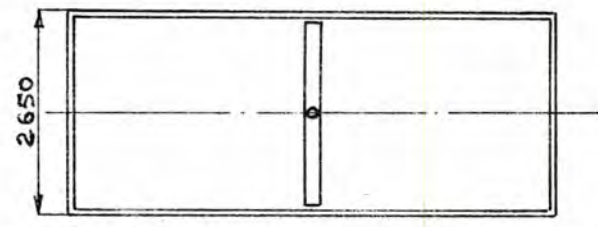
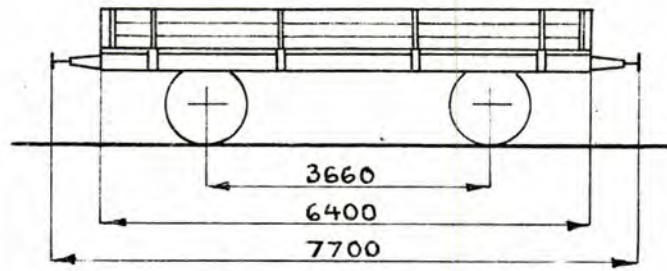
Omtrentl. egenvekt: 9,5t.

» lasteevne: 13,5 »

Spesial grusvogn

Antall	Vogn nr.	Distrikt	Fabrikant	Bygge år	Hovedtegning	Gulvflate	Ruminnhold	Bremses, opvarming, belysning m.v. Se side 6	Anm.
						m ²	m ³		
6	6991 - 6996	Ostlo.	Strömmen	1921	2253+ 2449	19,3	7,5	3	
8	15893 - 15900	Drn.	"	1922	-"-	"	"	3	

MK 3
TYPE 1

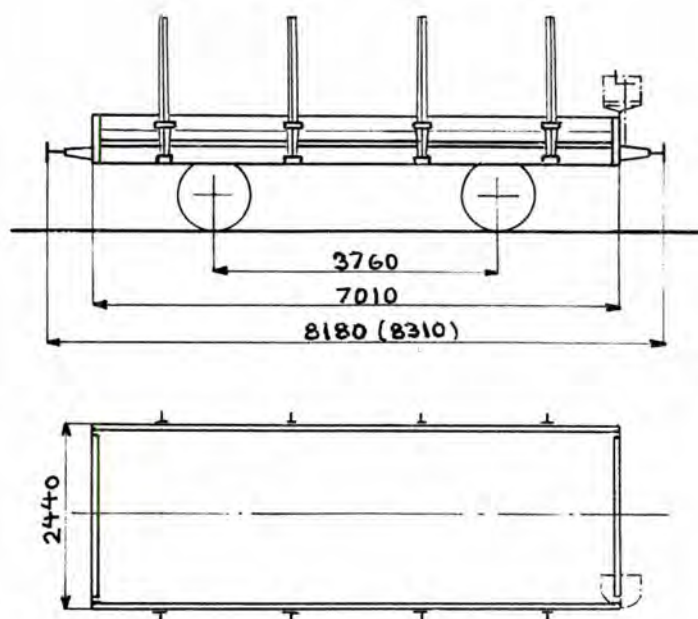


Omtrentl. egenvekt: 7,5 t.

» lasteevne: 15,5 t

Grus og tömmervogn

Antall	Vogn nr.	Distrikt	Fabrikant	Bygge år	Hoved-tegning	Gulv-plate	Rum-inn-hold	Bremses, opvarming, belysning m.v. Se side 6	Anm.
						m ²	m ³		
20	20231-20250	Drm.	Aadals Brug	1923	2244	15,9	7,4	21	



Omtrentl. egenvekt: 6,0 - 7,0 t.

» lasteevne: 10,5 - 11,5 t.

Stakevogn

Antall	Vogn nr.	Distrikt	Fabrikant	Bygge år	Hovedtegning	Gulvflate	Ruminnhold	Brems, opvarming, belysning m.v. Se side 6	Anm.
						m ²	m ³		
1	1656	Oslo		1877		15,8	5,0	21	
1	5222	Hmr.	Strømmen	1878		15,9	5,0	21	
1	10740	Thm.	Atlas	"		"	"	21	
1	4053	Oslo	Strømmen	1881		"	30,0	21	Kasse for vedtransport.
1	3979	"	Skabo	1882		"	5,0	21	
2	2498, 2503	"				"	"	21	Ombygg. 1896/98.
1	2528	"				"	"	21	--- 1896
1	2529	"				"	30,0	21	{ Kasse for vedtransport.
2	3903, 3915	"				"	5,0	21	
1	3924	"				"	"	21	Ombygg. 1908/11.
2	3925, 3967	"	Strømmen			"	"	21	
2	4002, 4006	"	Skabo	1876/82	Ukjent	"	"	21	
1	4009	"	Atlas			"	30,0	21	{ Kasse for vedtransport.
2	4012, 4020	"				"	5,0	21	Ombygg. 1911/12.
1	4039	"				"	"	21	
1	4078	"				"	37,8	21	{ Kasse for sagflistransp.
1	4085	"				"	5,0	21	Ombygg. 1908.
1	4092	"				"	30,0	21	{ --- 1912.
2	2462, 2468	"	Skabo	1885	47.	"	5,0	21	{ Kasse for vedtransport.

N 1

TYPE 1 (Forts. 1)

Antall	Vogn nr.	Distrikt	Fabrikant	Bygge år	Hovedtegning	Gulvflate	Ruminnhold	Bremses, opvarming, belysning m.v. Se side 6	Anm.
						m ²	m ³		
1	2471	Oslo	Skabo	1885	47	15,9	30,0	21	Kasse for vedtransport.
2	2473, 2476	"	"	"	"	"	5,0	21	
1	2478	"	"	"	"	"	"	21	
1	2479	"	Strømmen	1888	"	"	"	21	
1	2480	"	"	"	"	"	37,8	21	Kasse for sagflisttransport.
2	2482, 2483	"	"	"	"	"	5,0	21	
2	2486, 2487	"	"	"	"	"	"	21	
1	2488	"	"	"	"	"	"	21	
1	2489	"	Skabo	"	"	"	37,8	21	Kasse for sagflisttransport.
1	2491	"	"	"	"	"	5,0	21	
2	2543, 2550	"	Strømmen	"	"	"	"	21	
1	2551	"	"	"	"	"	37,8	21	Kasse for trekulltransport.
2	2552, 2553	"	"	"	"	"	5,0	21	
2	2556, 2557	"	"	"	"	"	"	21	
2	2561, 2562	"	"	"	"	"	"	21	
1	2564	"	"	"	"	"	37,8	21	Kasse for trekulltransport.
2	2569, 2570	"	Skabo	1889	"	"	5,0	21	
1	2572	"	"	"	"	"	37,8	21	Kasse for trekulltransport.
1	2573	"	"	"	"	"	5,0	21	
1	2574	"	"	"	"	"	30,0	21	Kasse for vedtransport.
2	2577, 2580	"	"	"	"	"	5,0	21	
1	2581	"	"	"	"	"	30,0	21	" " — " —
1	2582	"	"	"	"	"	5,0	21	
1	2584	"	"	"	"	"	37,8	21	" " sagflisttransport.
1	2585	"	"	"	"	"	30,0	21	" " vedtransport.
1	2586	"	"	"	"	"	5,0	21	
1	2587	"	"	"	"	"	37,8	21	" " trekulltransport.
1	1818	"	Strømmen	1891	Ukjent	15,8	5,0	21	
2	2590, 2591	"	"	"	47	15,8	"	21	
2	2592, 2598	"	"	"	"	"	"	21	
1	2599	"	"	"	"	"	"	21	
1	2600	"	"	"	"	"	30,0	21	Kasse for vedtransport.
2	2601, 2602	"	"	"	"	"	5,0	21	
2	2603, 2605	"	"	"	"	"	"	21	
1	2607	"	"	"	"	"	"	21	
2	2610, 2611	"	"	1892	"	"	"	21	
1	2612	"	"	"	"	"	30,0	21	Kasse for vedtransport.
1	2613	"	"	"	"	"	5,0	21	
1	2615	"	"	"	"	"	37,8	21	" " sagflisttransport.
1	2616	"	"	"	"	"	"	21	" " trekulltransport.
1	2617	"	"	"	"	"	"	21	" " sagflisttransport.

forts.

Antall	Vogn nr.	Distrikt	Fabrikant	Bygge år	Hoved- tegning	Gulv- flate	Rum- inn- hold	Bremses, opvarming, belysning m.v. Se side 6	Anm.
						m ²	m ³		
1	2619	Oslo	Strömmen	1892	47	15,9	37,8	21	Kasse for trekulltransp.
1	2620	"	"	"	"	"	5,0	21	" " vedtransp.
2	2621, 2622	"	"	"	"	"	30,0	21	" " trekulltransp.
1	2623	"	"	"	"	"	37,8	21	" " trekulltransp.
1	2624	"	"	"	"	"	5,0	21	" " vedtransport
1	2626	"	"	"	"	"	30,0	21	" " vedtransport
1	2627	"	"	"	"	"	5,0	21	" " vedtransport
2	7502, 7503	"	"	"	"	"	"	21	" " vedtransport
2	7505, 7508	"	"	"	"	"	"	21	" " vedtransport
1	7510	"	"	"	"	"	"	21	" " vedtransport
2	7516, 7517	"	"	"	"	"	"	21	" " vedtransport
2	7518, 7519	"	"	"	"	"	"	21	" " vedtransport
1	7520	"	"	"	"	"	30,0	21	Kasse for vedtransp.
2	7522, 7523	"	"	"	"	"	5,0	21	" " vedtransport
1	7524	"	"	"	"	"	30,0	21	" " vedtransport
2	7527, 7529	"	"	"	"	"	5,0	21	" " vedtransport
1	7530	"	"	"	"	"	37,8	21	" " sagflistransp.
2	7532, 7535	"	"	"	"	"	5,0	21	" " vedtransport
2	7536, 7538	"	"	"	"	"	"	21	" " vedtransport
1	7539	"	"	"	"	"	"	21	" " vedtransport
1	7540	"	"	"	"	"	37,8	21	" " vedtransport
2	7541, 7542	"	"	"	"	"	5,0	21	" " vedtransport
2	7545, 7546	"	"	"	"	"	"	21	" " vedtransport
1	8505	Hmr.	"	"	"	"	"	21	" " vedtransport
2	8507, 8511	"	"	"	"	"	"	21	" " vedtransport
2	8512, 8513	"	"	"	"	"	"	21	" " vedtransport
1	8514	"	"	"	"	"	"	21	" " vedtransport
1	8522	"	Landskrona	"	"	"	"	21	" " vedtransport
2	8531, 8536	"	"	"	"	"	"	21	" " vedtransport
1	8538	"	"	"	"	"	"	21	" " vedtransport
1	16087	Drin.	Strömmen	"	"	"	"	21	" " vedtransport
1	16027	"	Kvæerner	1893	"	"	"	21	" " vedtransport
1	16037	"	"	"	"	"	"	21	" " vedtransport
1	16046	"	Strömmen	"	"	"	"	21	" " vedtransport
1	16047	"	Kvæerner	"	"	"	"	21	" " vedtransport
1	16050	"	Strömmen	"	"	"	"	21	" " vedtransport
1	16067	"	Kvæerner	"	"	"	"	21	" " vedtransport
2	16081, 16085	"	Strömmen	"	"	"	"	21	" " vedtransport
1	16086	"	Kvæerner	"	"	"	"	21	" " vedtransport
2	8544, 8551	Hmr.	Moss	1895	400	"	"	21	" " vedtransport

Antall	Vogn nr.	Distrikt	Fabrikant	Bygge år	Hovedtegning	Gulv-	Rum-	Brems, opvarming, belysning m.v. Se side 6	Anm.
						flate	inn-		
						m ²	m ³		
2	8556, 8557	Hmr.	Moss.	1895	400	15,9	5,0	21	
1	8559	"	"	"	"	"	"	21	
2	2630, 2632	Oslo	Strømmen	1897	"	"	"	21	
1	2633	"	"	"	"	"	"	21	
1	2636	"	"	"	"	"	30,0	21	Kasse for vedtransport.
1	2638	"	"	"	"	"	37,8	21	" " Sagflisttransport.
2	2640, 2641	"	"	"	"	"	5,0	21	
2	2642, 2644	"	"	"	"	"	"	21	
1	2649	"	"	"	"	"	37,8	21	" " — " —
1	2651	"	"	"	"	"	5,0	21	
1	2652	"	"	"	"	"	37,8	21	" " — " —
2	2654, 2655	"	"	"	"	"	5,0	21	
1	2656	"	"	"	"	"	"	21	
1	2657	"	"	"	"	"	30,0	21	" " vedtransport.
2	6302, 6303	"	"	"	"	"	5,0	21	
2	6306, 6311	"	"	"	"	"	"	21	
2	6312, 6314	"	"	"	"	"	"	21	
1	6317	"	"	"	"	"	"	21	
1	6319	"	"	"	"	"	37,8	21	Kasse for sagflisttransport.
1	6320	"	"	"	"	"	30,0	21	" " vedtransport.
1	6322	"	"	"	"	"	5,0	21	
1	6323	"	"	"	"	"	30,0	21	" " — " —
1	6326	"	"	"	"	"	5,0	21	
1	6330	"	"	"	"	"	"	21	
1	6333	"	"	"	"	"	30,0	21	" " — " —
2	6334, 6337	"	"	"	"	"	5,0	21	
1	6338	"	"	"	"	"	30,0	21	" " — " —
1	6340	"	"	"	"	"	5,0	21	
1	6343	"	"	"	"	"	30,0	21	" " — " —
2	6344, 6345	"	"	"	"	"	5,0	21	
2	6347, 6348	"	"	"	"	"	"	21	
2	6349, 6350	"	"	"	"	"	"	21	
1	6351	"	"	"	"	"	"	21	
2	6353, 6354	"	"	"	"	"	"	21	
1	6355	"	"	"	"	"	"	21	
1	6356	"	"	"	"	"	30,0	21	Kasse for vedtransport.
1	6358	"	"	"	"	"	37,8	21	" " sagflisttransport.
2	6359, 6360	"	"	"	"	"	5,0	21	
1	6362	"	"	"	"	"	"	21	
1	6365	"	"	"	"	"	30,0	21	" " vedtransport.
1	6366	"	"	"	"	"	5,0	21	
1	6369	"	"	"	"	"	30,0	21	" " — " —
1	8564	Hmr.	"	"	"	"	5,0	21	

Antall	Vogn nr.	Distrikt	Fabrikant	Bygge år	Hovedtegning	Gulvflate	Ruminnhold	Bremses, opvarming, belysning m.v. Se side 6	Anm.
						m ²	m ³		
1	8571	Hmr.	Srrømmen	1897	400	15,9	5,0	21	
2	8584, 8589	"	"	"	"	"	"	21	
1	2659	Oslo.	"	1898	"	"	"	21	
1	2660	"	"	"	"	"	37,8	21	Kasse for sagflisttransport.
1	2662	"	"	"	"	"	5,0	21	
2	2663, 2664	"	"	"	"	"	30,0	21	" " vedtransport.
1	2666	"	"	"	"	"	5,0	21	
1	2667	"	"	"	"	"	37,8	21	" " sagflisttransport.
2	2669, 2670	"	"	"	"	"	5,0	21	
1	2672	"	"	"	"	"	37,8	21	" " — " —
1	2673	"	"	"	"	"	5,0	21	
1	2677	"	"	"	"	"	30,0	21	" " vedtransport.
1	2680	"	"	"	"	"	5,0	21	
1	2681	"	"	"	"	"	37,8	21	" " trekulltransport.
2	2682, 2683	"	"	"	"	"	5,0	21	
2	2684, 2685	"	"	"	"	"	"	21	
1	2686	"	"	"	"	"	"	21	
2	2687, 2688	"	"	"	"	"	30,0	21	" " vedtransport.
1	2689	"	"	"	"	"	37,8	21	" " sagflisttransport.
1	2691	"	"	"	"	"	5,0	21	
1	2692	"	"	"	"	"	30,0	21	" " vedtransport.
1	2694	"	"	"	"	"	5,0	21	
2	2695, 2696	"	"	"	"	"	"	21	
1	2700	"	"	"	"	"	30,0	21	" " — " —
2	2702, 2703	"	"	"	"	"	5,0	21	
2	2704, 2705	"	"	"	"	"	30,0	21	" " — " —
1	16080	Drn.	"	"	"	"	5,0	21	
2	16028, 16032	"	"	1899	"	"	"	21	
1	16038	"	"	"	"	"	"	21	
2	16040, 16043	"	"	"	"	"	"	21	
2	16052, 16055	"	"	"	"	"	"	21	
2	16056, 16058	"	"	"	"	"	"	21	
2	16059, 16060	"	"	"	"	"	"	21	
1	16063	"	"	"	"	"	"	21	
2	16066, 16069	"	"	"	"	"	"	21	
2	16073, 16074	"	"	"	"	"	"	21	
2	16078, 16079	"	"	"	"	"	"	21	
2	16083, 16090	"	"	"	"	"	"	21	
2	16094, 16100	"	"	"	"	"	"	21	
2	2438, 2439	Oslo.	"	"	"	"	"	21	
1	2440	"	"	"	"	"	"	21	
1	2442	"	"	"	"	"	37,8	21	Kasse for trekulltransport.

Antall	Vogn nr.	Distrikt	Fabrikant	Bygge år	Hovedtegning	Gulvflate	Ruminnhold	Bremseser, oppvarming, belysning m.v. Se side 6	Anm.
						m ²	m ³		
2	2443, 2444	Oslo	Strømmen	1899	400	15,9	5,0	21	
1	2445	"	"	"	"	"	"	21	
2	2447, 2449	"	"	"	"	"	30,0	21	Kasse for vedtransport.
2	2450, 2451	"	"	"	"	"	5,0	21	
1	2452	"	"	"	"	"	"	21	
1	2453	"	"	"	"	"	30,0	21	" " — " —
2	2456, 2457	"	"	"	"	"	5,0	21	
2	2458, 2459	"	"	"	"	"	"	21	
1	2460	"	"	"	"	"	"	21	
1	2758	"	Moss	"	"	"	"	21	
2	2759, 2760	"	"	"	"	"	37,8	21	Kasse for sagflisttransport.
2	2765, 2767	"	"	"	"	"	5,0	21	
2	2766, 2770	"	"	"	"	"	37,8	21	" " sagflisttransport.
2	2771, 2772	"	"	"	"	"	5,0	21	
1	2776	"	"	"	"	"	37,8	21	" " trekulltransport.
2	2777, 2778	"	"	"	"	"	5,0	21	
2	2779, 2780	"	"	"	"	"	"	21	
1	6371	"	Strømmen	"	"	"	30,0	21	" " vedtransport.
2	6372, 6373	"	"	"	"	"	5,0	21	
1	6375	"	"	"	"	"	37,8	21	" " sagflisttransport.
2	8593, 8594	Hmr.	"	"	"	"	5,0	21	
2	8596, 8597	"	"	"	"	"	"	21	
1	8603	"	"	"	"	"	"	21	
2	8604, 8609	"	"	"	"	"	"	21	
2	8612, 8613	"	"	"	"	"	"	21	
2	8614, 8619	"	"	"	"	"	"	21	
2	8620, 8621	"	"	"	"	"	"	21	
2	8622, 8623	"	"	"	"	"	"	21	
1	8624	"	"	"	"	"	"	21	
2	2261, 2262	Oslo	Skabo	1900	"	"	"	21	
1	2263	"	"	"	"	"	37,8	21	Kasse for sagflisttransport.
2	2264, 2265	"	"	"	"	"	5,0	21	
1	2267	"	"	"	"	"	30,0	21	" " vedtransport.
2	2269, 2271	"	"	"	"	"	5,0	21	
2	2272, 2273	"	"	"	"	"	"	21	
1	2274	"	"	"	"	"	37,8	21	" " sagflisttransport.
2	2275, 2276	"	"	"	"	"	5,0	21	
1	2277	"	"	"	"	"	"	21	
1	2279	"	"	"	"	"	30,0	21	" " vedtransport.
1	2281	"	"	"	"	"	5,0	21	
1	2283	"	"	"	"	"	30,0	21	" " — " —
2	2284, 2285	"	"	"	"	"	5,0	21	
1	2286	"	"	"	"	"	"	21	

Antall	Vogn nr.	Distrikt	Fabrikant	Bygge år	Hovedtegning	Gulvflate	Ruminnhold	Bremser, opvarming, belysning m.v. - Se side 6	Anm.
						m ²	m ³		
1	2287	Oslo	Skabo	1900	400	15,9	37,8	21	Kasse for trekulltransport.
1	2288	"	"	"	"	"	5,0	21	
2	2291, 2292	"	"	"	"	"	30,0	21	" " vedtransport.
1	2293	"	"	"	"	"	5,0	21	
1	2295	"	"	"	"	"	37,8	21	" " sagflisttransport.
2	2296, 2297	"	"	"	"	"	5,0	21	
2	2298, 2299	"	"	"	"	"	"	21	
1	2300	"	"	"	"	"	"	21	
1	2861	"	Strømmen	"	"	"	30,0	21	" " vedtransport.
2	2862, 2864	"	"	"	"	"	5,0	21	
2	2869, 2871	"	Skabo	"	"	"	"	21	
2	2873, 2875	"	"	"	"	"	"	21	
1	2876	"	"	"	"	"	37,8	21	" " sagflisttransport.
2	2877, 2878	"	"	"	"	"	5,0	21	
2	2879, 2880	"	"	"	"	"	"	21	
2	2881, 2883	"	"	"	"	"	"	21	
2	2884, 2885	"	"	"	"	"	"	21	
2	2886, 2889	"	"	"	"	"	"	21	
1	2890	"	"	"	"	"	"	21	
2	5265, 5266	Hmr.	Strømmen	"	"	"	"	21	
2	5267, 5268	"	"	"	"	"	"	21	
2	5269, 5270	"	"	"	"	"	"	21	
2	5274, 5277	"	"	"	"	"	"	21	
2	5280, 5281	"	"	"	"	"	"	21	
2	5283, 5285	"	"	"	"	"	"	21	
2	5287, 5288	"	"	"	"	"	"	21	
2	5294, 5295	"	"	"	"	"	"	21	
2	5298, 5299	"	"	"	"	"	"	21	
2	5300, 5301	"	"	"	"	"	"	21	
2	6376, 6377	Oslo.	Skabo	"	"	"	"	3	
2	6378, 6381	"	"	"	"	"	"	3	
2	6383, 6384	"	"	"	"	"	"	3	
1	6387	"	"	"	"	"	"	3	
2	6388, 6389	"	"	"	"	"	"	3	
2	6391, 6392	"	"	"	"	"	"	3	
2	6393, 6394	"	"	"	"	"	"	3	
2	6395, 6396	"	"	"	"	"	"	3	
2	6397, 6398	"	"	"	"	"	"	3	
2	6400, 6401	"	"	"	"	"	"	21	
2	6402, 6403	"	"	"	"	"	"	21	
2	6404, 6405	"	"	"	"	"	"	21	
2	6406, 6407	"	"	"	"	"	"	21	
2	6408, 6409	"	"	"	"	"	"	21	

N₁

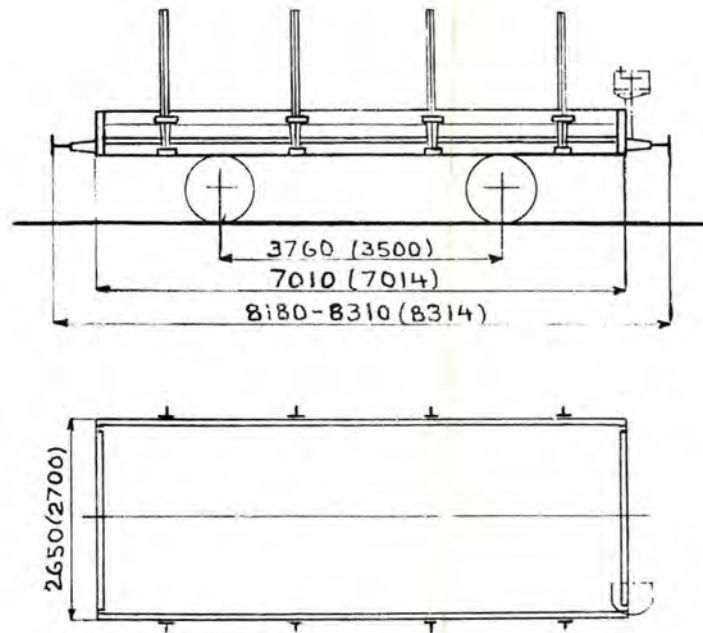
TYPE 1 (Forts.7)

Antall	Vogn nr.	Distrikt	Fabrikant	Bygge år	Hoved- tegning	Gulv- flate	Rum- inn- hold	Bremses, opvarming, belysning m.v. Se side 6	Anm.
						m ²	m ³		
1	6410	Oslo	Skabo	1900	400	15,9	5,0	21	
1	6411	"	"	"	"	"	37,8	21	Kasse for sagflistransport
2	6412 , 6413	"	"	"	"	"	5,0	21	
1	6415	"	"	"	"	"	"	21	
2	9509 , 9510	Brg.	Eidsfos	"	"	"	"	2. 21	
1	9513	"	Skabo	"	"	"	"	21	
1	9515	"	"	"	"	"	"	2. 21	
2	9517 , 9518	"	"	"	"	"	"	21	
2	9519 , 9521	"	"	"	"	"	"	21	
1	9523	"	"	"	"	"	"	21	
2	10801 , 10803	Thm.	"	"	"	"	"	21	
2	10805 , 10809	"	"	"	"	"	"	21	
2	10810 , 10813	"	"	"	"	"	"	21	
2	10816 , 10817	"	"	"	"	"	"	21	
2	10819 , 10820	"	"	"	"	"	"	21	
2	10822 , 10824	"	"	"	"	"	"	21	
2	12501 , 12504	"	Strømmen	"	"	"	"	21	
1	12508	"	"	"	"	"	"	21	
1	12510	"	"	"	"	"	"	3	
2	12513 , 12514	"	"	"	"	"	"	3	
2	12518 , 12522	"	"	"	"	"	"	21	
1	12524	"	"	"	"	"	"	21	
2	12525 , 12526	"	"	"	"	"	"	21	
2	12529 , 12531	"	"	"	"	"	"	21	
2	12536 , 12537	"	"	"	"	"	"	21	
2	12538 , 12540	"	"	"	"	"	"	21	
2	16104 , 16109	Drn.	Eidsfos	"	"	"	"	21	
2	16110 , 16111	"	"	"	"	"	"	21	
2	16112 , 16113	"	"	"	"	"	"	21	
2	16114 , 16116	"	"	"	"	"	"	21	
2	16117 , 16121	"	"	"	"	"	"	21	
2	16123 , 16124	"	"	"	"	"	"	21	
2	16127 , 16130	"	"	"	"	"	"	21	
2	16135 , 16139	"	"	"	"	"	"	21	
2	16141 , 16143	"	"	"	"	"	"	21	
2	16144 , 16147	"	"	"	"	"	"	21	
2	16148 , 16149	"	"	"	"	"	"	21	
2	16150 , 16153	"	"	"	"	"	"	21	
2	16154 , 16155	"	"	"	"	"	"	21	
1	16156	"	"	"	"	"	"	21	
2	16162 , 16164	"	"	"	"	"	"	21	
2	16167 , 16170	"	"	"	"	"	"	21	
1	16172	"	"	"	"	"	"	21	

forts.

Antall	Vogn nr.	Distrikt	Fabrikant	Bygge år	Hoved- tegning	Gulv- flate	Rum- inn- hold	Bremses, opvarming, belysning m.v. Se side 6	Anm.
						m ²	m ³		
1	16177	Drn.	Eidsfos	1900	400	15,9	5,0	21	
2	16179, 16180	"	"	"	"	"	"	21	
3	16181-16183	"	"	1901	"	"	"	21	
2	16187, 16188	"	"	"	"	"	"	21	
3	16191-16193	"	"	"	"	"	"	21	
2	16196, 16201	"	"	"	"	"	"	21	
2	16202, 16203	"	"	"	"	"	"	21	
2	16205, 16207	"	"	"	"	"	"	21	
2	16208, 16209	"	"	"	"	"	"	21	
2	16211, 16212	"	"	"	"	"	"	21	
2	16215, 16217	"	"	"	"	"	"	21	
2	16218, 16219	"	"	"	"	"	"	21	
1	16221	"	"	"	"	"	"	21	
2	16223, 16224	"	"	"	"	"	"	21	
2	16225, 16227	"	"	"	"	"	"	21	
2	16229, 16230	"	"	"	"	"	"	21	
2	16233, 16234	"	"	"	"	"	"	21	
2	16235, 16237	"	"	"	"	"	"	21	
2	16238, 16239	"	"	"	"	"	"	21	
2	16240, 16241	"	"	"	"	"	"	21	
1	16242	"	"	"	"	"	"	21	
2	16245, 16246	"	"	"	"	"	"	21	
2	16248, 16249	"	"	"	"	"	"	21	
2	16250, 16252	"	"	"	"	"	"	21	
2	16254, 16255	"	"	"	"	"	"	21	
1	16260	"	"	"	"	"	"	21	
1	16267	"	"	1906	"	"	"	21	
2	16269, 16270	"	"	"	"	"	"	21	
2	16272, 16277	"	"	"	"	"	"	21	
2	16278, 16286	"	"	"	"	"	"	21	
1	16291	"	"	"	"	"	"	21	
2	16293, 16295	"	"	"	"	"	"	21	
1	16296	"	"	"	"	"	"	21	
2	16299, 16301	"	Skabo	1908	876	"	"	21	
3	16303-16305	"	"	"	"	"	"	21	
1	16309	"	"	"	"	"	"	21	
3	10996-10998	Thm.	AadalsBrug	1912	"	"	"	21	
1	11000	"	"	"	"	"	"	21	
1	12553	"	"	"	"	"	"	21	
4	16445-16448	Drn.	"	"	"	"	"	21	
15	16450-16464	"	"	"	"	"	"	21	
3	8651-8653	Hmr.	Hmr.mek.v.	1914	"	"	"	21	
2	8655, 8656	"	"	"	"	"	"	21	
2	8658, 8659	"	"	"	"	"	"	21	
10	8661-8670	"	"	"	"	"	"	21	
50	20800-20849	Drn.	{Skabo Eidsfos}	{1921 1922}	"	"	"	21	

N₁
TYPE 2



Omtrentl. egenvekt: 6,0 t.

» lasteevne: 10,5 - 11,0 «

Stakevogn

Antall	Vogn nr.	Distrikt	Fabrikant	Bygge år	Hovedtegning	Gulvflate	Ruminnhold	Bremses, opvarming, belysning m.v. Se side 6	Anm.
						m ²	m ³		
2	3905, 3909	Oslo	Atlas	1876 ^y	Ukjent.	17,4	5,3	21	
2	3914, 3919	"	"	"	"	"	"	21	
2	3920, 3922	"	"	"	"	"	"	21	
2	3923, 3927	"	"	"	"	"	"	21	
2	3928, 3933	"	"	"	"	"	"	21	
2	3934, 3939	"	"	"	"	"	"	21	
2	3942, 3946	"	"	"	"	"	"	21	
2	3950, 3955	"	"	"	"	"	"	21	
2	3957, 3958	"	"	"	"	"	"	21	
2	3962, 3968	"	"	"	"	"	"	21	
1	4091	"	"	"	"	"	"	21	
2	3973, 3977	"	"	1877 ^y	"	"	"	21	
2	3981, 3983	"	"	"	"	"	"	21	
2	3984, 3985	"	"	"	"	"	"	21	
2	3986, 3998	"	"	"	"	"	"	21	
2	4005, 4016	"	"	"	"	"	"	21	
2	4017, 4018	"	"	"	"	"	"	21	
2	4021, 4023	"	"	"	"	"	"	21	
2	4025, 4029	"	"	"	"	"	"	21	
2	4031, 4033	"	"	"	"	"	"	21	
2	4034, 4038	"	"	"	"	"	"	21	

^y Ombygget i Oslo distr. 1915/20.

Forts.

Antall	Vogn nr.	Distrikt	Fabrikant	Bygge år	Hoved- tegning	Gulv- flate	Rum- inn- hold	Bremses, opvarming, belysning m.v. Se side 6	Anm.
						m ²	m ³		
2	4041, 4042	Oslo	Skabo	1877 ^y	Ukjent.	17,4	5,3	21	
1	4095	"	Atlas	"	"	"	"	21	
2	1651, 1653	"	"	"	"	17,7	"	21	
1	1655	"	"	"	"	"	"	21	
2	1657, 1658	"	"	"	"	"	"	21	
2	1659, 1660	"	"	"	"	"	"	21	
2	1663, 1664	"	"	"	"	"	"	21	
2	1667, 1668	"	"	"	"	"	"	21	
2	1670, 1881	"	"	"	"	"	"	21	
2	1833, 1834	"	Strømmen	1878	"	"	"	21	
2	1837, 1839	"	"	"	"	"	"	21	
2	1840, 1841	"	"	"	"	"	"	21	
2	1843, 1844	"	"	"	"	"	"	21	
2	1845, 1846	"	"	"	"	"	"	21	
2	1847, 1848	"	"	"	"	"	"	21	
2	1850, 1851	"	"	"	"	"	"	21	
2	1853, 1854	"	"	"	"	"	"	21	
2	1855, 1856	"	"	"	"	"	"	21	
2	1857, 1859	"	"	"	"	"	"	21	
2	1860, 1862	"	"	"	"	"	"	21	
2	1863, 1864	"	"	"	"	"	"	21	
2	1865, 1866	"	"	"	"	"	"	21	
1	1867	"	"	"	"	"	"	21	
2	1870, 1871	"	"	"	"	"	"	21	
2	1872, 1873	"	"	"	"	"	"	21	
2	1874, 1875	"	"	"	"	"	"	21	
2	1878, 1879	"	"	"	"	"	"	21	
2	1672, 1673	"	"	1883	"	"	"	21	
2	1675, 1676	"	"	"	"	"	"	21	
2	1677, 1678	"	"	1884	"	"	"	21	
2	1679, 1680	"	"	"	"	"	"	21	
2	1683, 1684	"	"	"	"	"	"	21	
2	1685, 1686	"	"	"	"	"	"	21	
1	1688	"	"	"	"	"	"	21	
2	1690, 1693	"	"	"	"	"	"	21	
3	1695 - 1697	"	"	"	"	"	"	21	
2	1698, 1699	"	"	"	"	"	"	21	
2	1700, 1701	"	"	"	"	"	"	21	
2	1783, 1784	"	Hovedb ^S V.	1885	"	"	"	21	
2	1868, 1976	"	"	"	"	"	"	21	
1	1979	"	"	"	"	"	"	21	
2	1702, 1705	"	Skabo	1887	"	"	"	21	
2	1706, 1707	"	"	"	"	"	"	21	

^y Ombygget i Oslo distr. 1915/20.

forts.

N_I

TYPE 2. (forts.2)

Antall	Vogn nr.	Distrikt	Fabrikant	Bygge år	Hovedtegning	Gulv-	Rum-	Bremser, opvarming, belysning m.v. Se side 6	Anm.
						flate	inn-		
						m ²	m ³		
2	1709, 1710	Oslo	Skabo	1887	Ukjent.	17,7	5,3	21	{ Vognkassens lengde: 7050mm. Lengde over buffere: 8350 mm
1	1711	"	"	"	"	"	"	21	
2	1977, 1978	"	Hovedb. ^S V.	"	"	"	"	21	
2	1712, 1713	"	Skabo	1888	"	"	"	21	
1	1714	"	"	"	"	"	"	21	
2	1716, 1717	"	"	"	"	"	"	21	
2	1718, 1719	"	"	"	"	"	"	21	
1	1721	"	"	"	"	"	"	21	
2	1722, 1724	"	Strømmen	1890	"	"	"	21	
2	1725, 1726	"	"	"	"	"	"	21	
2	1727, 1730	"	"	"	"	"	"	21	
2	1731, 1733	"	"	"	"	"	"	21	
2	1734, 1736	"	"	"	"	"	"	21	
3	1737-1739	"	"	"	"	"	"	21	
3	1740-1742	"	"	"	"	"	"	21	
3	1743-1745	"	"	"	"	"	"	21	
3	1746-1748	"	"	"	"	"	"	21	
3	1749-1751	"	"	"	"	"	"	21	
3	1752-1754	"	"	"	"	"	"	21	
3	1755-1757	"	"	"	"	"	"	21	
3	1758-1760	"	"	"	"	"	"	21	
2	1761, 1763	"	"	"	"	"	"	21	
2	1764, 1766	"	"	"	"	"	"	21	
2	1768, 1769	"	"	"	"	"	"	21	
2	1770, 1771	"	"	"	"	"	"	21	
3	1772-1774	"	"	1891	"	"	"	21	
3	1775-1777	"	"	"	"	"	"	21	
2	1778, 1779	"	"	"	"	"	"	21	
2	1781, 1782	"	"	"	"	"	"	21	
2	1785, 1787	"	"	"	"	"	"	21	
3	1788-1790	"	"	"	"	"	"	21	
2	1791, 1792	"	"	"	"	"	"	21	
3	1794-1796	"	"	"	"	"	"	21	
3	1797-1799	"	"	"	"	"	"	21	
3	1800-1802	"	"	"	"	"	"	21	
3	1803-1805	"	"	"	"	"	"	21	
4	1806-1809	"	"	"	"	"	"	21	
3	1810-1812	"	"	"	"	"	"	21	
3	1813-1815	"	"	"	"	"	"	21	
2	1816, 1819	"	"	"	"	"	"	21	
3	1820-1822	"	"	"	"	"	"	21	
2	1823, 1825	"	"	"	"	"	"	21	
3	1826-1828	"	"	"	"	"	"	21	
1	1830	"	"	"	"	"	"	21	

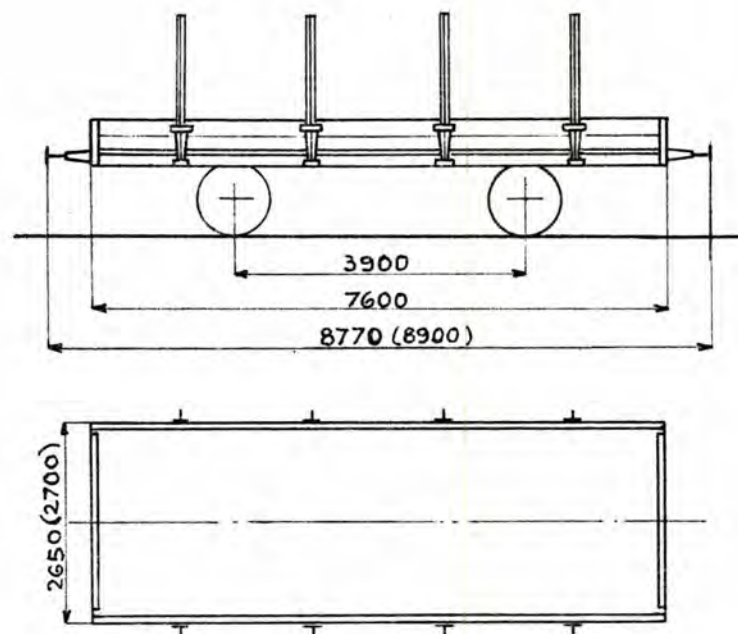
forts.

Antall	Vogn nr.	Distrikt	Fabrikant	Bygge år	Hoved-tegning	Gulv-plate	Rum-innhold	Bremses, opvarming, belysning m.v. Se side 6	Anm.
						m ²	m ³		
3	1883 - 1885	Oslo	Srrömmen	1895	Ukjent	17,7	5,3	21	
2	1887, 1888	"	"	"	"	"	"	21	
3	1890 - 1892	"	"	"	"	"	"	21	
2	1894, 1895	"	"	"	"	"	"	21	
2	1897, 1899	"	"	"	"	"	"	21	
3	1900 - 1902	"	"	"	"	"	"	21	
3	1903 - 1905	"	"	"	"	"	"	21	
2	1906, 1907	"	"	1896	"	"	"	21	
3	1909 - 1911	"	"	"	"	"	"	21	
3	1912 - 1914	"	"	"	"	"	"	21	
1	1915	"	"	"	"	"	"	21	
3	1916 - 1918	"	"	1897	"	"	"	21	
3	1919 - 1921	"	"	"	"	"	"	21	
1	1922	"	"	"	"	"	35,5	21	Kasse for treavfall.
3	1923 - 1925	"	"	"	"	"	5,3	21	
3	1926 - 1928	"	"	1898	"	"	"	21	
3	1929 - 1931	"	"	"	"	"	"	21	
2	1932, 1934	"	"	"	"	"	"	21	
3	1935 - 1937	"	"	"	"	"	"	21	
2	1938, 1939	"	"	"	"	"	"	21	
3	1941 - 1943	"	"	"	"	"	"	21	
3	1944 - 1946	"	"	"	"	"	"	21	
3	1948 - 1950	"	"	"	"	"	"	21	
3	1951 - 1953	"	"	"	"	"	"	21	
3	1954 - 1956	"	"	"	"	"	"	21	
3	1957 - 1959	"	"	"	"	"	"	21	
3	1961 - 1963	"	"	"	"	"	"	21	
3	1964 - 1966	"	"	"	"	"	"	21	
3	1967 - 1969	"	"	"	"	"	"	21	
3	1970 - 1972	"	"	"	"	"	"	21	
3	1973 - 1975	"	"	"	"	"	"	21	
3	11601 - 11603	"	"	"	"	"	"	21	
3	11604 - 11606	"	"	"	"	"	"	21	
3	11607 - 11609	"	"	"	"	"	"	21	
3	11610 - 11612	"	"	"	"	"	"	21	
3	11613 - 11615	"	"	"	"	"	"	21	
2	11617, 11618	"	"	"	"	"	"	21	
3	11619 - 11621	"	"	"	"	"	"	21	
3	11622 - 11624	"	"	"	"	"	"	21	
2	11626, 11628	"	"	1899	"	"	"	21	
3	11629 - 11631	"	"	"	"	"	"	21	
3	11632 - 11634	"	"	"	"	"	"	21	
3	11635 - 11637	"	"	"	"	"	"	21	
3	11638 - 11640	"	"	"	"	"	"	21	

Antall	Vogn nr.	Distrikt	Fabrikant	Bygge år	Hovedtegning	Gulv-	Rum-	Bremses, opvarming, belysning m.v. Se side 6	Anm.
						flate	inn-		
						m ²	hold		
3	11641 - 11643	Oslo	Strømmen	1899	Ukjent	17,7	5,3	21	
2	11644 , 11645	"	"	"	"	"	"	21	
2	11647 , 11648	"	"	"	"	"	"	21	
3	11649 - 11651	"	"	"	"	"	"	21	
3	11652 - 11654	"	"	"	"	"	"	21	
3	11655 - 11657	"	"	"	"	"	"	21	
3	11658 - 11660	"	"	"	"	"	"	21	
3	11661 - 11663	"	"	"	"	"	"	21	
2	11664 , 11665	"	"	"	"	"	"	21	
3	11666 - 11668	"	"	"	"	"	"	21	
3	11669 - 11671	"	"	"	"	"	"	21	
2	11672 , 11673	"	"	"	"	"	"	21	
2	11674 , 11675	"	"	"	"	"	"	21	
3	11676 - 11678	"	"	"	"	"	"	21	
3	11679 - 11681	"	"	"	"	"	"	21	
2	11682 , 11683	"	"	"	"	"	"	21	
1	11685	"	"	"	"	"	"	21	
2	11708 , 11709	"	Hovedb ^s v.	"	"	"	"	21	
2	11686 , 11688	"	Strømmen	1900	"	"	"	21	
3	11689 - 11691	"	"	"	"	"	"	21	
3	11692 - 11694	"	"	"	"	"	"	21	
3	11695 - 11697	"	"	"	"	"	"	21	
2	11698 , 11699	"	"	"	"	"	"	21	
2	11700 , 11701	"	"	"	"	"	"	21	
5	11703 - 11707	"	"	"	"	"	"	21	
2	10827 , 10830	Thm.	"	1901	614	17,4	5,3	3	
3	10831 - 10833	"	"	"	"	"	"	3	
2	10834 , 10835	"	"	"	"	"	"	3	
2	10837 , 10839	"	"	"	"	"	"	3	
3	10841 - 10843	"	"	"	"	"	"	3	
3	10844 - 10846	"	"	"	"	"	"	3	
2	10847 , 10848	"	"	"	"	"	"	3	
1	10850	"	"	"	"	"	"	3	
1	2495	Oslo	Oslo distr.	1908	Ukjent	"	"	21	
2	3963 , 4019	"	"	1910	"	"	"	21	
1	4087	"	"	1911	"	"	"	21	
1	3930 ,	"	"	1912	"	"	"	21	
2	3941 , 3947	"	"	1913	"	"	"	21	
2	3972 , 3990	"	"	"	"	"	"	21	
2	4011 , 4032	"	"	"	"	"	"	21	
2	4084 , 4090	"	"	"	"	"	"	21	
2	3906 , 3913	"	"	1914	"	"	"	21	
2	3921 , 3929	"	"	"	"	"	"	21	
2	3935 , 3969	"	"	"	"	"	"	21	

Antall	Vogn nr.	Distrikt	Fabrikant	Bygge år	Hoved- tegning	Gulv- flate	Rum- inn- hold	Bremseser, opvarming, belysning m.v. Se side 6	Anm.
						m ²	m ³		
2	3971 , 3976	Oslo	Oslo distr.	1914	Ukjent	17,4	5,3	21	
2	3988 , 3991	"	"	"	"	"	"	21	
2	3992 , 4001	"	"	"	"	"	"	21	
2	4022 , 4030	"	"	"	"	"	"	21	
2	4088 , 4093	"	"	"	"	"	"	21	
2	3901 , 3907	"	"	1915	"	"	"	21	
2	3912 , 3952	"	"	"	"	"	"	21	
2	3966 , 3987	"	"	"	"	"	"	21	
2	3997 , 4004	"	"	"	"	"	"	21	
2	4008 , 4081	"	"	"	"	"	"	21	
2	4083 , 4086	"	"	"	"	"	"	21	
2	4089 , 4094	"	"	"	"	"	"	21	
1	4097	"	"	"	"	"	"	21	
1	4010	"	"	1916	"	"	"	21	

N2
TYPE 1



Omtrentl. egenvekt: 7,0t.

» lasteevne: 11,0t

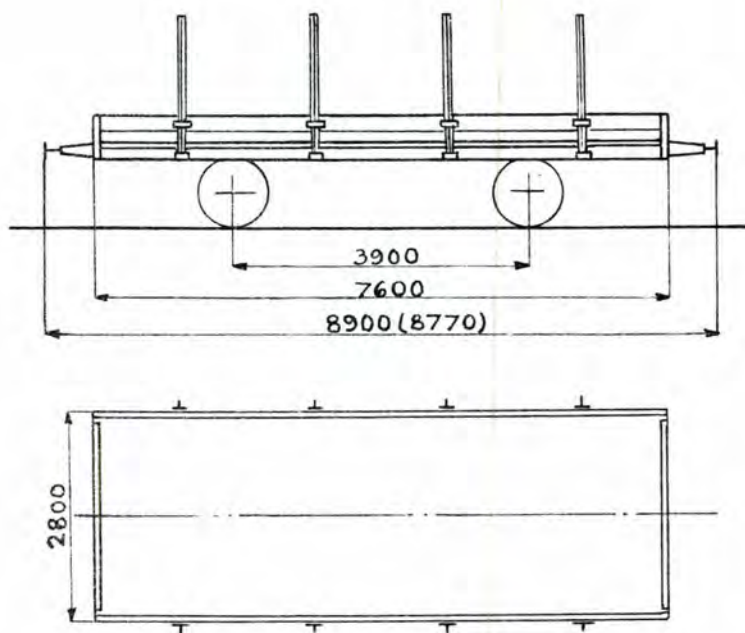
Stakevogn

Antall	Vogn nr.	Distrikt	Fabrikant	Bygge år	Hoved- tegning	Gulv- flate	Rum- inn- hold	Brems, opvarming, belysning m.v. Se side 6	Anm.
						m ²	m ³		
2	2801, 2802	Oslo	Strømmen	1903	690	18,9	5,9	21	
7	2804 - 2810	"	"	"	"	"	"	21	
10	4169 - 4178	"	"	"	"	"	"	21	
8	10851 - 10858	Thm.	"	1907	815	"	"	21	
21	10860 - 10880	"	"	"	"	"	"	21	
20	11710 - 11729	Oslo	"	"	B.183	18,8	5,6	21	
20	2401 - 2420	"	"	1908	815	18,9	5,9	21	
50	4179 - 4228	"	"	"	"	"	"	21	
27	6426 - 6452	"	"	"	"	"	"	21	
7	6454 - 6460	"	"	"	"	"	"	21	
12	9525 - 9536	Brg.	"	"	"	"	"	21	
11	11730 - 11740	Oslo	Aadals Br.	"	B.183	19,2	5,8	21	
23	11742 - 11764	"	"	"	"	"	"	21	
11	5305 - 5315	Hmr.	Strømmen	1909	815	18,9	5,9	21	
4	5317 - 5320	"	"	"	"	"	"	21	
3	5322 - 5324	"	"	"	"	"	"	21	
26	7549 - 7574	Oslo	Aadals Br.	"	"	"	"	21	
25	10889 - 10913	Thm.	"	"	"	"	"	21	
14	16313 - 16326	Drn.	"	"	"	"	"	21	
17	16328 - 16344	"	"	"	"	"	"	21	
3	16346 - 16348	"	Strømmen	"	"	"	"	21	

forts.

Antall	Vogn nr.	Distrikt	Fabrikant	Bygge år	Hoved- tegning	Gulv- flate	Rum- inn- hold	Bremses, opvarming, belysning m.v. Se side 6	Anm.
						m ²	m ³		
15	16350 - 16364	Drm.	Strømmen	1909	815	18,9	5,9	21	
10	11765 - 11774	Oslo	"	1910	B.183	19,2	5,8	21	
25	11876 - 11900	"	Skabo	"	"	"	"	21	
2	2514 , 2516	"	Oslo distr.	1912	Ukjent	18,9	5,9	21	
1	4096	"	"	"	"	"	"	21	
1	2524	"	"	1913	"	"	"	21	

N 2
TYPE 2



Omtrentl. egenvekt: 6,5 t.

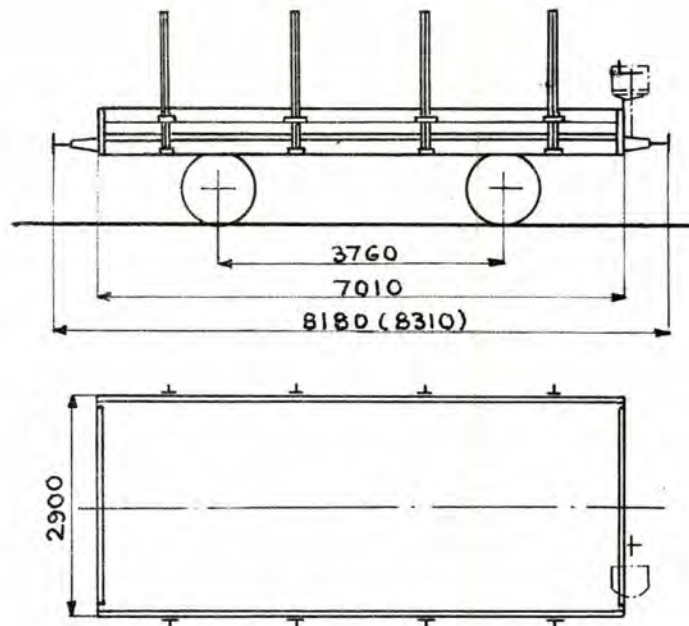
” lasteevne: 10,5 ”

Stakevogn

Antall	Vogn nr.	Distrikt	Fabrikant	Bygge- år	Hoved- tegning	Gulv- flate	Rum- inn- hold	Bremses, opvarming, belysning m.v. Se side 6	Anm.
						m ²	m ³		
2	3902, 3904	Oslo	Atlas	1876 ^{x)}	Ukjent	20,0	5,8	21	} Ombygget i 1922.
2	3943, 3948	"	"	"	"	"	"	21	
2	3960, 3982	"	"	"	"	"	"	21	
2	3999, 4007	"	"	"	"	"	"	21	
2	4079, 4082	"	"	"	"	"	"	21	
4	5325 - 5328	Hmr.	Hmr. Jernst.	1912	1334	"	"	21	} Nr. 5333 Sporener på Bergensbanen
16	6461 - 6476	Oslo	"	"	"	"	"	21	
59	6477 - 6535	"	Strømmen	"	"	"	"	21	
20	5601 - 5620	Thm.	Aadals Brug	1913	"	"	"	21	
40	20701 - 20740	Drm.	"	"	"	"	"	21	
20	5329 - 5348	Hmr.	"	1914	"	"	"	21	
19	14469 - 14487	Brg.	Hmr. Jernst.	"	"	"	"	21	
1	14488	"	"	"	"	"	"	2.6. 21	
10	14489 - 14498	"	"	"	"	"	"	21	
7	23001 - 23007	Drm.	Aadals Brug	"	"	"	"	21	
40	6661 - 6700	Oslo	Skabo	1916	"	"	"	21	
1	9537	Brg.	"	"	"	"	"	21	
1	9538	"	"	"	"	"	"	2.6. 21	
2	9539, 9540	"	"	"	"	"	"	21	
1	9541	"	"	"	"	"	"	2.6. 21	
2	9542, 9543	"	"	"	"	"	"	21	

forts.

N₂
TYPE 3



Omtrentl. egenvekt: 6,2t.

” lasteevne: 11,0*

Stakevogn¹⁾

Antall	Vogn nr.	Distrikt	Fabrikant	Bygge år	Hovedtegning	Gulv-	Rum-	Brems, opvarming, belysning m.v. Se side 6	Anm.
						flate	innhold		
						m ²	m ³		
2	2509, 3917	Oslo		1876/82	3070	19,1	5,8	21	
1	3940	"	Atlas	1876	"	"	"	21	
2	2571, 2575	"	Skabo	1889	"	"	"	21	
2	2579, 2583	"	"	"	"	"	"	21	
2	2597, 2604	"	Strømmen	1891	"	"	"	21	
2	2606, 2608	"	"	"	"	"	"	21	
2	7501, 7506	"	"	1892	"	"	"	21	
2	7507, 7511	"	"	"	"	"	"	21	
2	7512, 7513	"	"	"	"	"	"	21	
2	7515, 7525	"	"	"	"	"	"	21	
2	7531, 7534	"	"	"	"	"	"	21	
1	7547	"	"	"	"	"	"	21	
2	8501, 8502	Hmr.	"	"	"	"	"	21	
2	8504, 8506	"	"	"	"	"	"	21	
2	8508, 8510	"	"	"	"	"	"	21	
2	8516, 8517	"	"	"	"	"	"	21	
2	8519, 8520	"	"	"	"	"	"	21	
2	8521, 8527	"	Landskrona	"	"	"	"	21	
3	8528-8530	"	"	"	"	"	"	21	
3	8532-8534	"	"	"	"	"	"	21	
2	8537, 8539	"	"	"	"	"	"	21	

forts.

¹⁾ Samtlige vogner N₂ av type 3 er ombygget ved distriktenes verksteder 1928/1935. Oprindelig hovedtegn. 47,400 og 876.

Antall	Vogn nr.	Distrikt	Fabrikant	Bygge år	Hovedtegning	Gulvflate	Ruminnhold	Brems, opvarming, belysning m.v. Se side 6	Anm.
						m ²	m ³		
1	16026	Drm.	Strømmen	1892	3070	19,1	5,8	21	
1	16034	"	"	1893	"	"	"	21	
2	16036, 16044	"	Kværner	"	"	"	"	21	
2	16045, 16061	"	"	"	"	"	"	21	
2	16071, 16092	"	"	"	"	"	"	21	
2	16093, 16095	"	"	"	"	"	"	21	
2	16096, 16098	"	"	"	"	"	"	21	
1	1889	Oslo	Strømmen	1895	"	"	"	21	
2	8542, 8546	Hmr.	Moss	"	"	"	"	21	
2	8549, 8550	"	"	"	"	"	"	21	
2	8558, 8560	"	"	"	"	"	"	21	
2	2629, 2634	Oslo	Strømmen	1897	"	"	"	21	
2	2635, 2639	"	"	"	"	"	"	21	
2	2646, 2650	"	"	"	"	"	"	21	
2	2658, 6305	"	"	"	"	"	"	21	
2	6310, 6327	"	"	"	"	"	"	21	
2	6329, 6331	"	"	"	"	"	"	21	
2	6335, 6339	"	"	"	"	"	"	21	
2	6342, 6346	"	"	"	"	"	"	21	
2	6363, 6370	"	"	"	"	"	"	21	
2	8562, 8566	Hmr.	"	"	"	"	"	21	
3	8567- 8569	"	"	"	"	"	"	21	
2	8572, 8574	"	"	"	"	"	"	21	
2	8576, 8578	"	"	"	"	"	"	21	
2	8579, 8585	"	"	"	"	"	"	21	
3	8586- 8588	"	"	"	"	"	"	21	
1	8590	"	"	"	"	"	"	21	
2	2668, 2671	Oslo	"	1898	"	"	"	21	
2	2674, 2676	"	"	"	"	"	"	21	
2	2678, 2690	"	"	"	"	"	"	21	
3	2697- 2699	"	"	"	"	"	"	21	
1	2441	"	"	1899	"	"	"	21	
2	2756, 2768	"	Moss	"	"	"	"	21	
2	2769, 2773	"	"	"	"	"	"	21	
1	2775	"	"	"	"	"	"	21	
2	8591, 8595	Hmr.	Strømmen	"	"	"	"	21	
2	8598, 8601	"	"	"	"	"	"	21	
4	8605- 8608	"	"	"	"	"	"	21	
2	8610, 8611	"	"	"	"	"	"	21	
2	8615, 8616	"	"	"	"	"	"	21	
1	8625	"	"	"	"	"	"	21	
2	16030, 16042	Drm.	"	"	"	"	"	21	
2	16048, 16051	"	"	"	"	"	"	21	

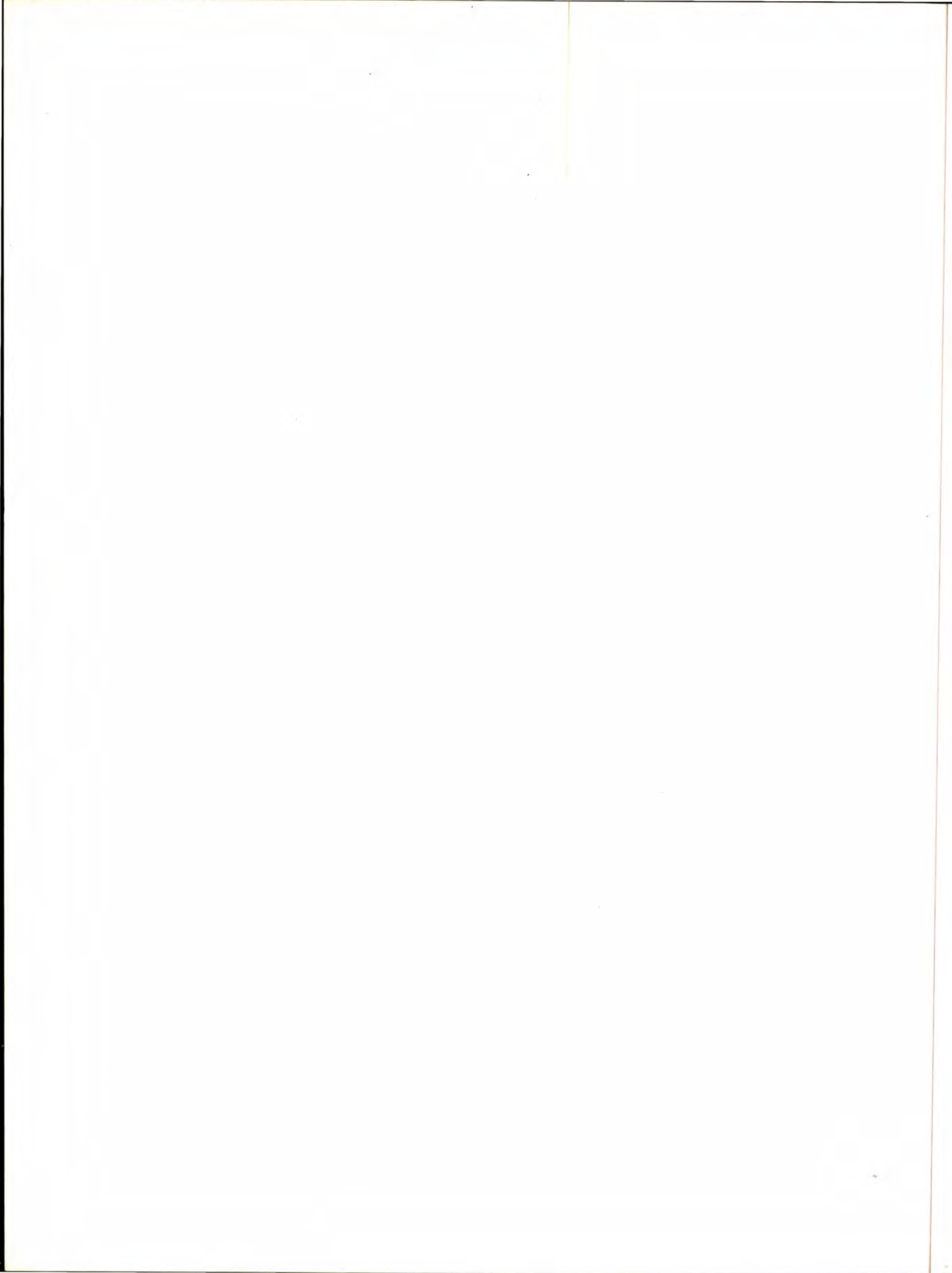
N₂

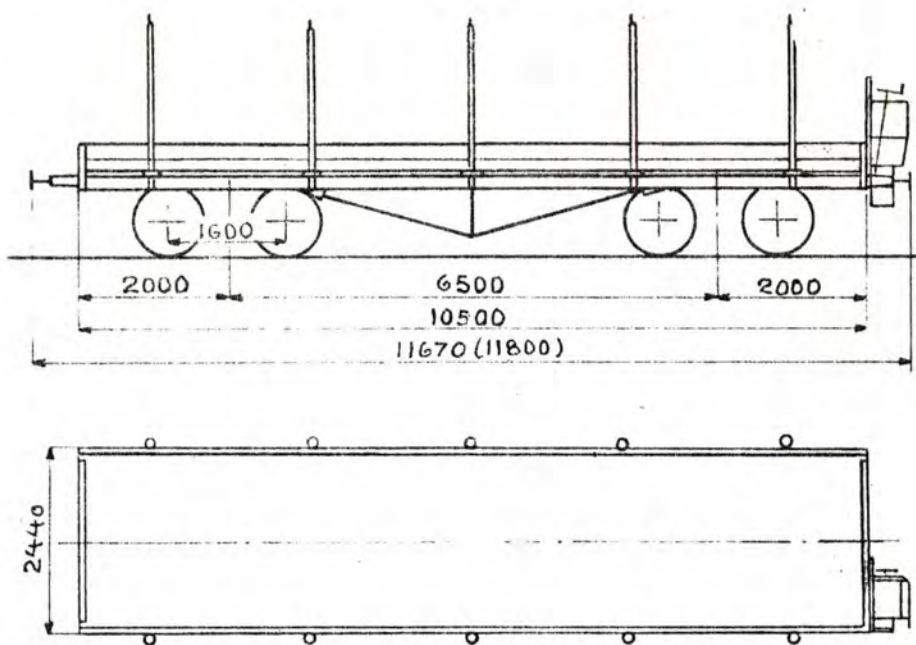
TYPE 3 (forts. 2)

Antall	Vogn nr.	Distrikt	Fabrikant	Bygge år	Hoved- tegning	Gulv- flate	Rum- inn- hold	Bremses, opvarming, belysning m.v. Se side 6	Anm.
						m ²	m ³		
2	16076,16082	Drm.	Strømmen	1899	3070	19,1	5,8	21	
1	16084	"	"	"	"	"	"	21	
2	2268, 2270	Oslo	Skabo	1900	"	"	"	21	
1	2290	"	"	"	"	"	"	21	
1	2865	"	Strømmen	"	"	"	"	21	
3	2866-2868	"	Skabo	"	"	"	"	21	
2	2870, 2874	"	"	"	"	"	"	21	
2	2882, 2887	"	"	"	"	"	"	21	
2	5273, 5275	Hmr.	Strømmen	"	"	"	"	21	
2	5276, 5279	"	"	"	"	"	"	21	
2	5282, 5286	"	"	"	"	"	"	21	
2	5289, 5291	"	"	"	"	"	"	21	
2	5292, 5293	"	"	"	"	"	"	21	
2	5296, 5297	"	"	"	"	"	"	21	
2	5302, 5303	"	"	"	"	"	"	21	
2	6380, 6390	Oslo	Skabo	"	"	"	"	3	
1	9511	Brg.	Eidsfos	"	"	"	"	2. 21	
2	9516, 9520	"	Skabo	"	"	"	"	21	
1	9524	"	"	"	"	"	"	21	
2	10804, 10807	Thm.	"	"	"	"	"	21	
2	10811, 10812	"	"	"	"	"	"	21	
2	10814, 10815	"	"	"	"	"	"	21	
2	10821, 10823	"	"	"	"	"	"	21	
2	12502, 12503	"	Strømmen	"	"	"	"	21	
2	12507, 12509	"	"	"	"	"	"	21	
1	12515	"	"	"	"	"	"	3	
2	12517, 12520	"	"	"	"	"	"	21	
2	12521, 12528	"	"	"	"	"	"	21	
3	12533-12535	"	"	"	"	"	"	21	
2	16101, 16102	Drm.	Eidsfos	"	"	"	"	21	
2	16106, 16118	"	"	"	"	"	"	21	
2	16132, 16136	"	"	"	"	"	"	21	
2	16140, 16160	"	"	"	"	"	"	21	
2	16161, 16165	"	"	"	"	"	"	21	
2	16166, 16171	"	"	"	"	"	"	21	
1	16175	"	"	"	"	"	"	21	
2	10838, 10840	Thm.	Strømmen	1901	"	"	"	3	
2	16185, 16189	Drm.	Eidsfos	"	"	"	"	21	
2	16190, 16194	"	"	"	"	"	"	21	
2	16195, 16197	"	"	"	"	"	"	21	
2	16200, 16204	"	"	"	"	"	"	21	
2	16210, 16213	"	"	"	"	"	"	21	
2	16228, 16231	"	"	"	"	"	"	21	

forts.

Antall	Vogn nr.	Distrikt	Fabrikant	Bygge år	Hoved-tegning	Gulv- flate	Rum- inn- hold	Bremses, opvarming. belysning m. v. Se side 6	Anm.
						m ²	m ³		
2	16232, 16236	Drm.	Eidsfos	1901	3070	19,1	5,8	21	
2	16243, 16247	"	"	"	"	"	"	21	
2	16251, 16253	"	"	"	"	"	"	21	
2	16256, 16257	"	"	"	"	"	"	21	
2	16258, 16259	"	"	"	"	"	"	21	
4	16263 - 16266	"	"	1906	"	"	"	21	
2	16271, 16273	"	"	"	"	"	"	21	
2	16274, 16282	"	"	"	"	"	"	21	
2	16283, 16284	"	"	"	"	"	"	21	
2	16290, 16294	"	"	"	"	"	"	21	
1	16297	"	"	"	"	"	"	21	
2	16302, 16306	"	Skabo	1908	"	"	"	21	
2	16307, 16308	"	"	"	"	"	"	21	
3	16310 - 16312	"	"	"	"	"	"	21	
1	10999	Thm.	Aadals Br.	1912	"	"	"	21	
1	16449	Drm.	Skabo	"	"	"	"	21	
1	4000	Oslo	Oslo distr.	1913	"	"	"	21	
2	3937, 3954	"	"	1914	"	"	"	21	
2	8654, 8657	Hmr.	Hmr.mek.v.	"	"	"	"	21	
1	8660	"	"	"	"	"	"	21	
2	3953, 4003	Oslo	Oslo distr.	1915	"	"	"	21	





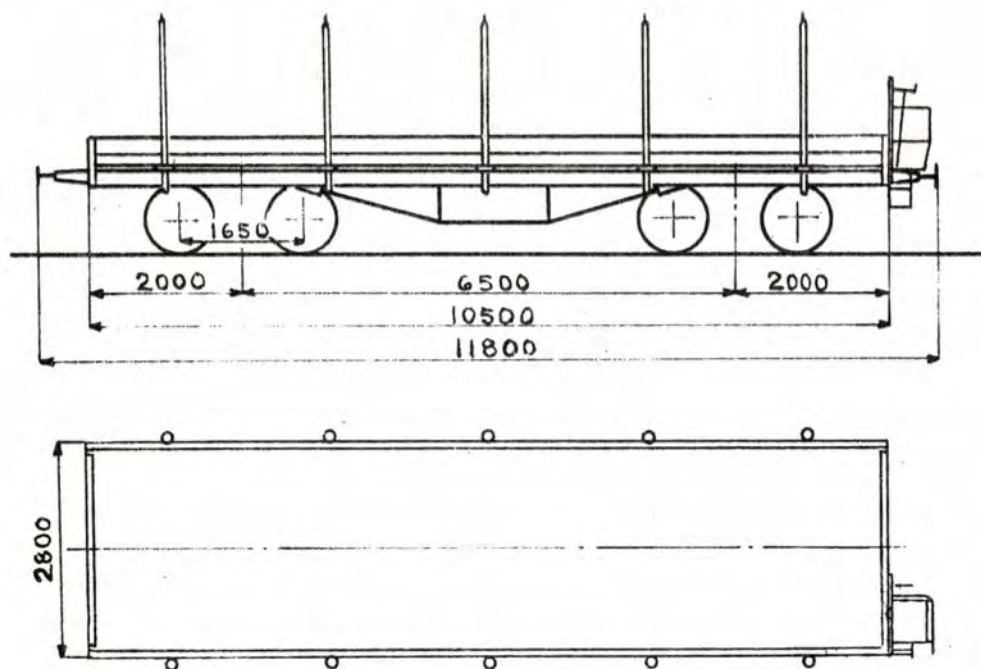
Omtrentl. egenvekt: 11.0 t

" lasteevne: 22.5 t

Stakevogn

Antall	Vogn nr.	Distrikt	Fabrikant	Bygge- år	Hoved- tegning	Gulv- flate	Rum- inn- hold	Bremses, oppvarming, belysning m.v. Se side 6.	Anm.
						m ²	m ³		
1	15992	Drnm	Skabo	1909	408	23,1	7,2	3,15	Tidl. Nfol -1

No2
TYPE 1

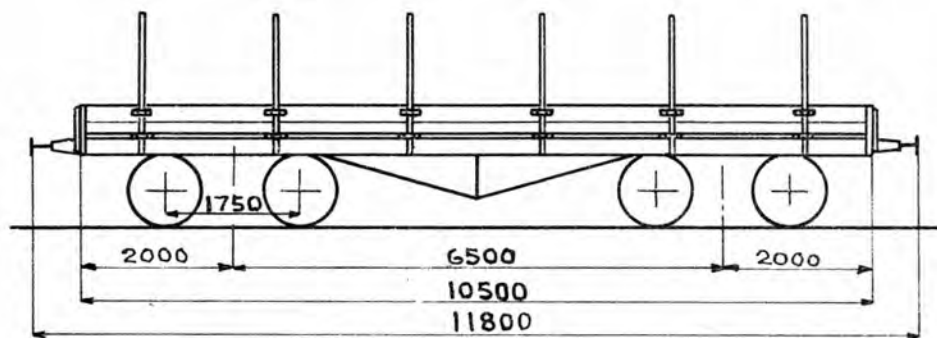


Omtrentl. egenvekt 12,5t

" lasteevne 21,5t

Stakevogn

Antall	Vogn nr.	Distrikt	Fabrikant	Bygge år	Hoved-tegning	Gulv- flate	Rum- inn- hold	Bremses, oppvarming, belysning m.v. Se side 6	Anm.
						m ²	m ³		
1	10936	Thm.	Strømmen	1922	2171	26,9	7,9	3.15	Tidl. Nfo2-1.

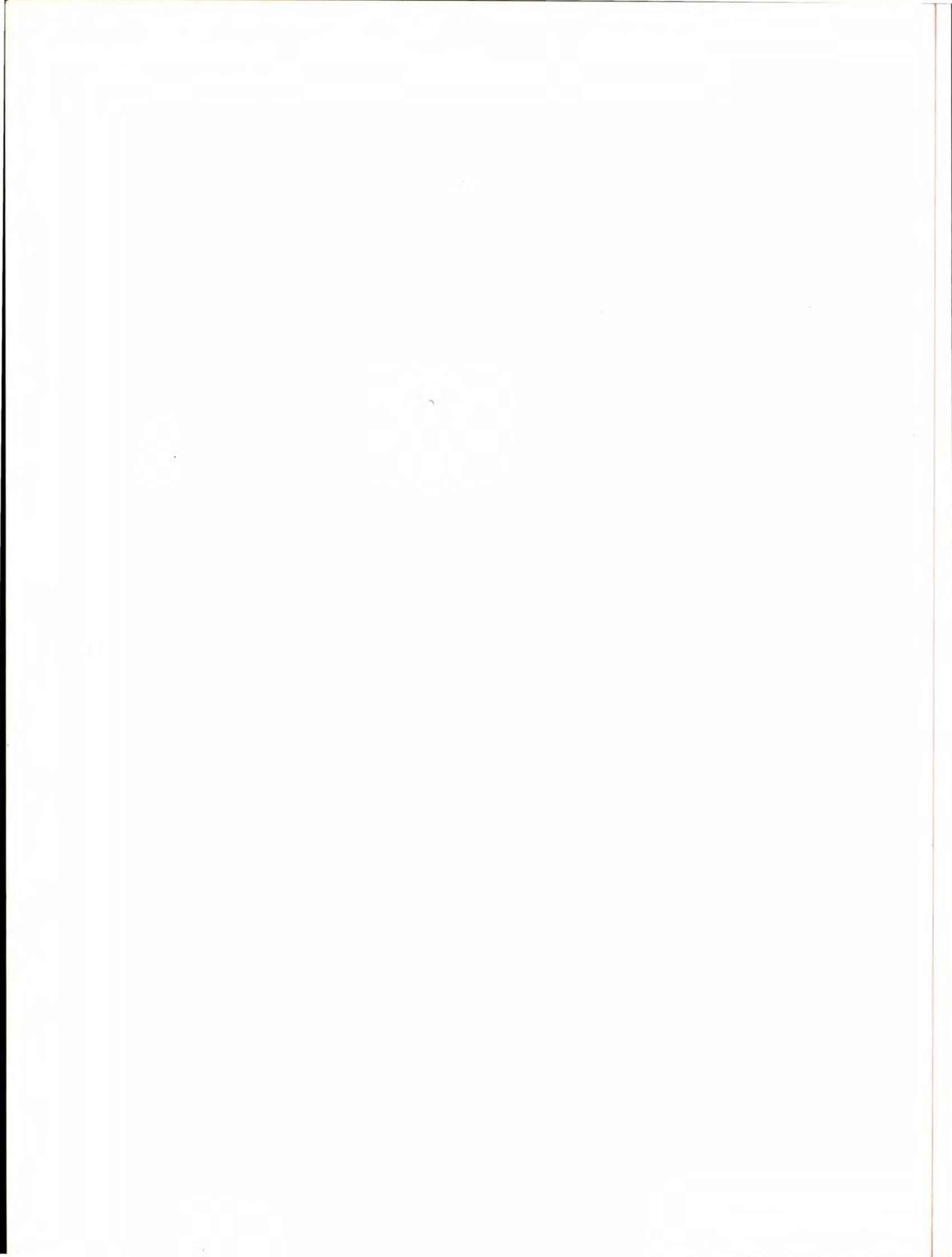


Omtrentl. egenvekt: 22,5t.

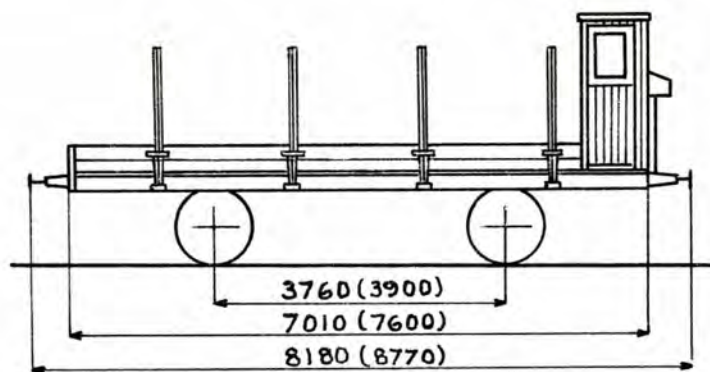
” lastevne: 24,0t

Stakevogn

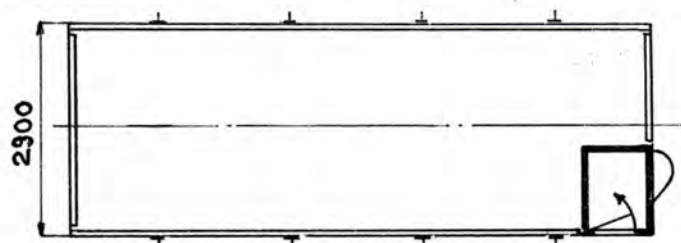
Antall	Vogn nr.	Distrikt	Fabrikant	Bygge år	Hovedtegning	Gulvflate	Ruminnhold	Bremses, oppvarming, belysning m.v. Se side 6	Anm.
						m ²	m ³		
1	23435	Oslo	Skabo	1909	Skabo: H-202	27,5		1.1kk.5.20.21.35	Innredn. for transport av levende fisk.



Nf 2
TYPE 2



Måli () for vogn nr. 12551.

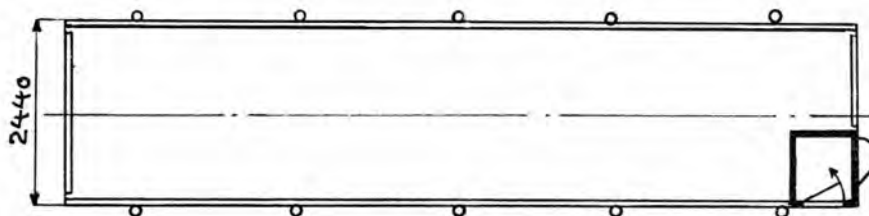
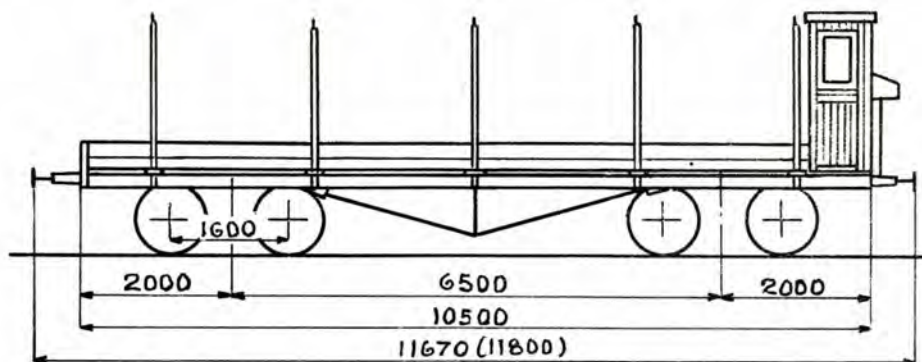


Omtrentl. egenvekt: 6,5 t.

» lasteevne: 10,5 «

Stakevogn

Antall	Vogn nr.	Distrikt	Fabrikant	Bygge år	Hovedtegning	Gulvflate	Ruminnhold	Bremses, opvarming, belysning m.v. Se side 6	Anm.
						m ²	m ³		
1	6425	Oslo.	Strømmen	1899	400	18,0	5,5	3	Omb. Drm. distr. 1932.
1	12551	Thm.	"	1905	816	19,9	6,0	3	" Thm. " 1931.



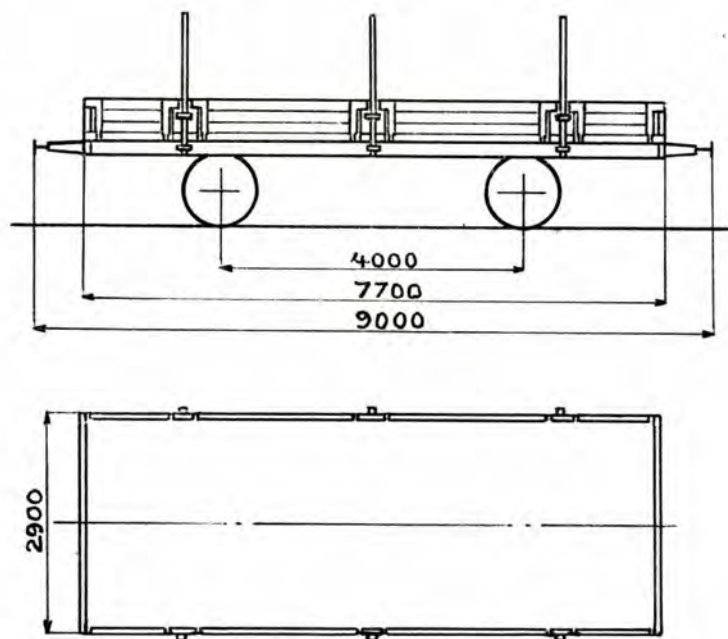
Omtrentl. egenvekt: 11,0 t.

” lasteevne: 22,5”

Stakevogn

Antall	Vogn nr.	Distrikt	Fabrikant	Bygge år	Hoved-tegning	Gulv-plate	Rum-inn-hold	Bremses, opvarming, belysning m.v. Se side 6	Anm.
						m ²	m ³		
2	6851, 6852	Oslo.	Harney & Røedler.	1899	408	23,1	7,2	3	
2	6853, 6854	"	"	"	"	"	"	3	
2	6855, 6856	"	"	"	"	"	"	3	
2	6857, 6858	"	"	"	"	"	"	3	
2	6859, 6860	"	"	"	"	"	"	3	
2	6861, 6862	"	"	"	"	"	"	3	
2	6863, 6864	"	"	"	"	"	"	3	
2	15992, 15993	Drn.	Skabo.	1909	"	"	"	3	

NP 3
TYPE 1

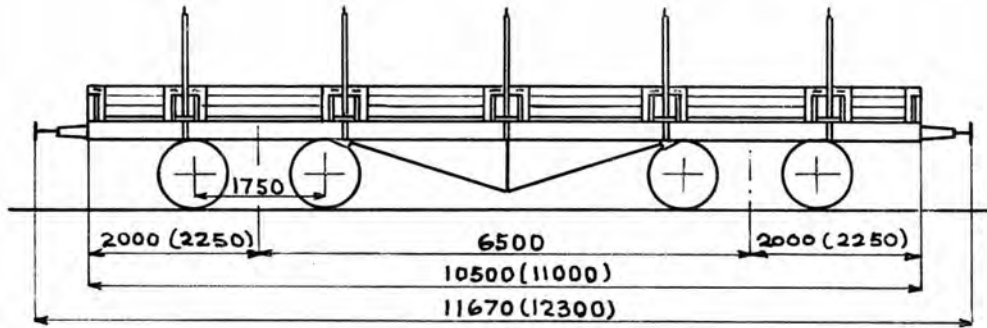


Omtrentl. egenvekt: 8,0t.

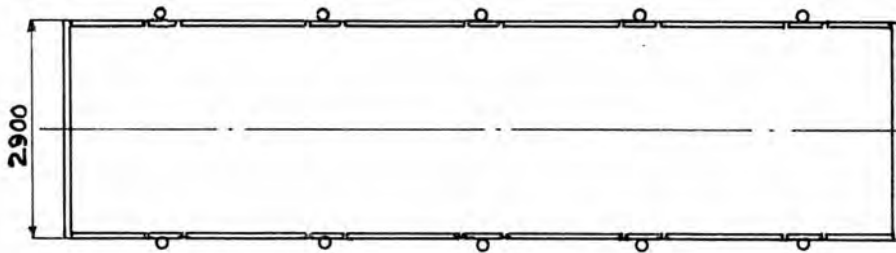
” lasteevne: 15,0”

Stake og malmvogn

Antall	Vogn nr.	Distrikt	Fabrikant	Bygge år	Hoved-tegning	Gulv-plate	Rum-inn-hold	Brems, opvarming, belysning m.v. Se side 6	Anm.
						m ²	m ³		
10	13054 - 13063	Nrv.	Eidsfos	1911	12 68	21,2	8,6	15. 21	
10	13064 - 13073	”	”	1915	”	”	”	15. 21	
10	13086 - 13095	”	Aadals.Br.	1923	”	”	”	15. 21	



Måli () for vogner
nr. 13080, 13081.



Omtrentl. egenvekt: 13,8-14,8 t.

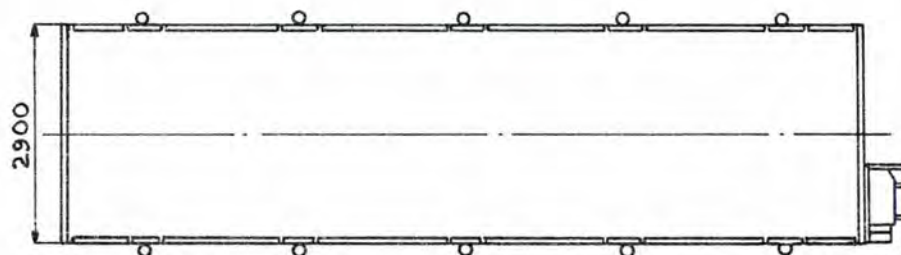
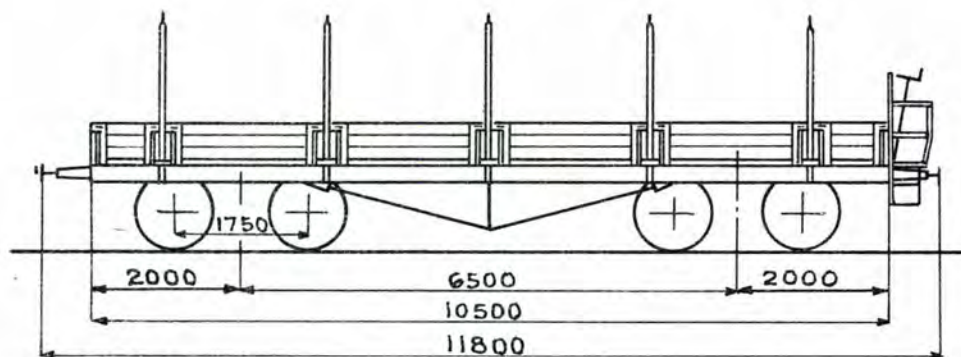
» lasteevne: 31,0-32,0 t

Stake og malmvogn

Antall	Vogn nr.	Distrikt	Fabrikant	Bygge år	Hoved- tegning	Gulv- flate	Rum- inn- hold	Brems, opvarming, belysning m.v. Se side 6	Anm.
						m ²	m ³		
2	13042, 13043	Nrv.	Eidsfos	1909	917	29,1	12,2	15.21	
2	13080, 13081	"	Skabo	1921	917 ^{*)}	30,6	12,8	15.21	

^{*)} Med forøket lengde.

NP₀₃
TYPE 2



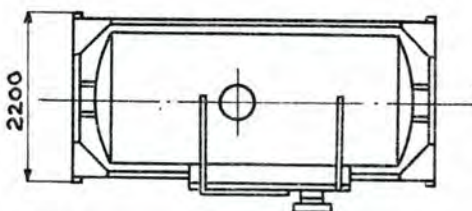
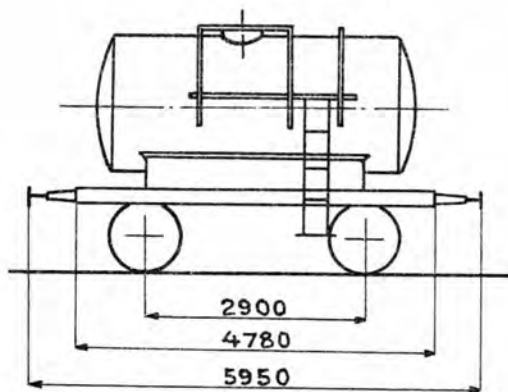
Omtrentl. egenvekt: 22,0 t.

” lasteevne: 24,0 ”

Stake og malmvogn

Antall	Vogn nr.	Distrikt	Fabrikant	Bygge år	Hovedtegning	Gulvflate	Ruminnhold	Bremses, opvarming, belysning m.v. Se side 6	Anm.
						m ²	m ³		
1	6841	Osto	Skabo	1916	2157 ¹⁾	29,1		1.1kk.3.6	{Ombyg.1931 for transport av levende fisk.

¹⁾ Med forandr. efter 3292.



Omtrentl. egenvekt: 7,0t.

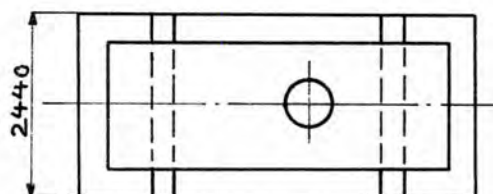
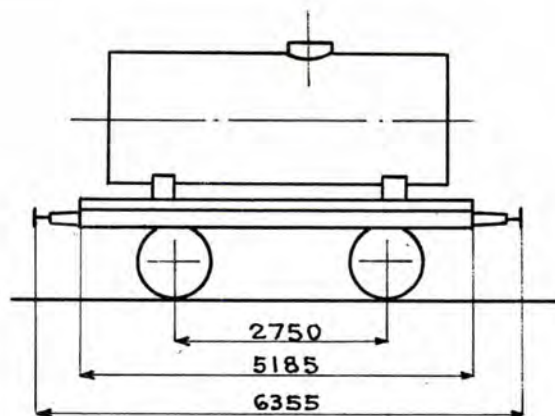
» lasteevne: 10,0t

Tankvogn (for kreosotolje)

Antall	Vogn nr.	Distrikt	Fabrikant	Bygge år	Hovedtegning	Gulvflate	Ruminnhold	Bremses, opvarming, belysning m.v. Se side 6	Anm.
						m ²	m ³		
1	4951	Oslo	Skabo	1912	1248		10,0	21	
1	4952	"	"	"	"		"	21	
1	4953	"	"	"	"		"	21	



Q2
TYPE 2

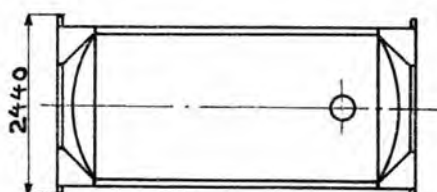
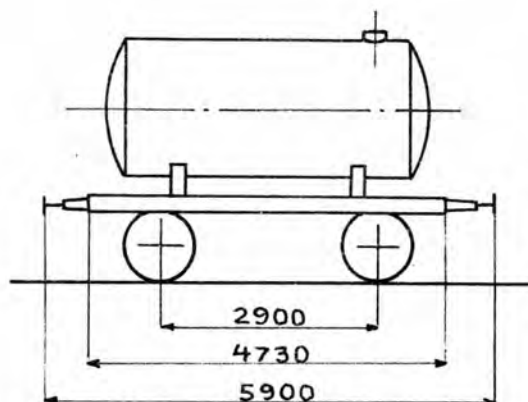


Omtrentl. egenvekt: 8,5t.

» lasteevne: 9,0t

Tankvogn (for kreosotolje)

Antall	Vogn nr.	Distrikt	Fabrikant	Bygge år	Hovedtegning	Gulvflate	Ruminnhold	Bremses, opvarming, belysning m.v. Se side 6	Anm.
						m ²	m ³		
1	1377	Oslo	Hovedb ^s V.	1877	Ukjent		10,3	21	Tanken påmontert i 1916.



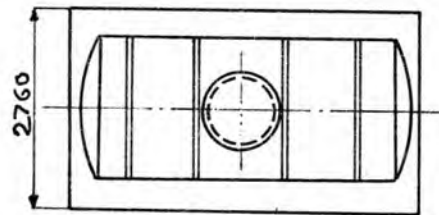
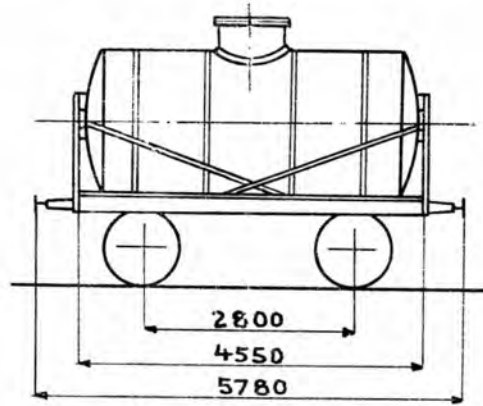
Omtrentl. egenvekt: 7,2 t.

» lasteevne: 10,0 t

Tankvogn (for kreosotolje)

Antall	Vogn nr.	Distrikt	Fabrikant	Bygge år	Hovedtegning	Gulvflate	Ruminnhold	Bremses, oppvarming, belysning m.v. Se side 6	Anm.
						m ²	m ³		
1	2207	Oslo	Oslo distr.	1904	Ukjent		9,4	21	Tanken påmontert i 1922.

Q 3
TYPE 1.

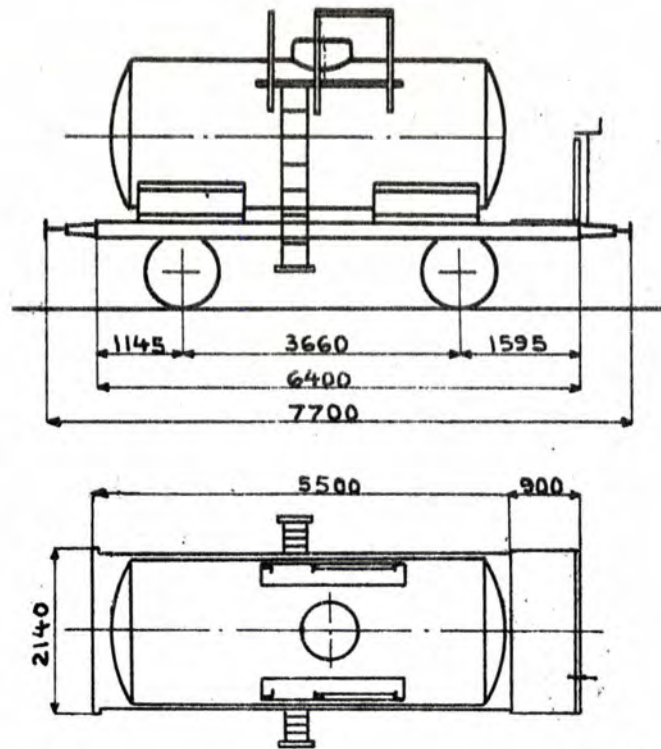


Omtrentl. egenvekt: 8,5 - 9,5 t.

» lasteevne: 13,5 t

Tankvogn

Antall	Vogn nr.	Distrikt	Fabrikant	Bygge år	Hoved- tegning	Gulv- flate		Bremser, opvarming, belysning m.v. Se side 6	Anm.
						m ²	Rum- inn- hold m ³		
1	23391	T.P.B.	Strømmen	1908			7,9	21	
1	23396	"	"	"			11,5	21	
1	23424	"	"	"			"	21	
1	23425	"	"	"			"	21	
1	23426	"	"	"			"	21	
1	23427	"	"	"			"	21	
1	23428	"	"	"			"	15. 21	
1	23429	"	Skabo	"			"	21	
1	23430	"	"	"			"	21	

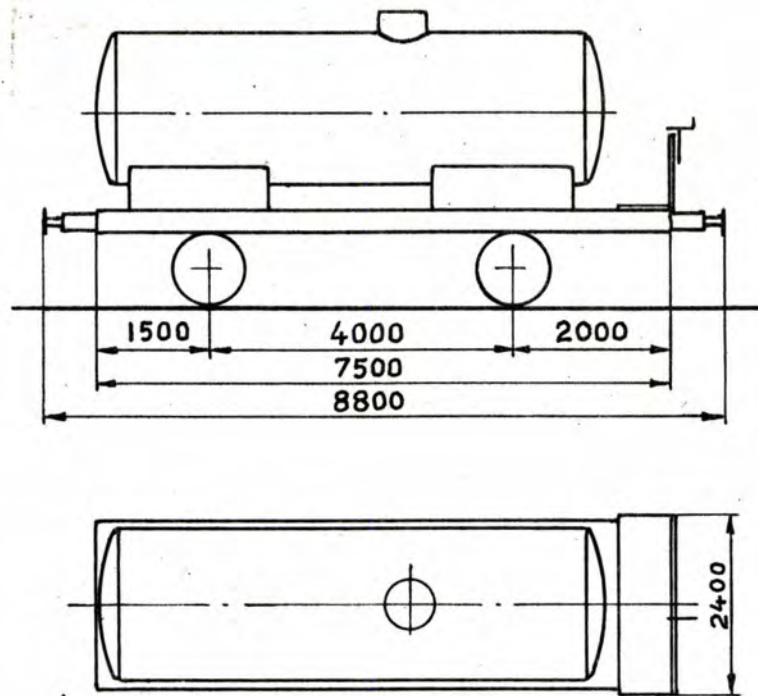


Omtrentl. egenvekt: 9.5 t

» lasteevne: 13.5 t

Tankvogn

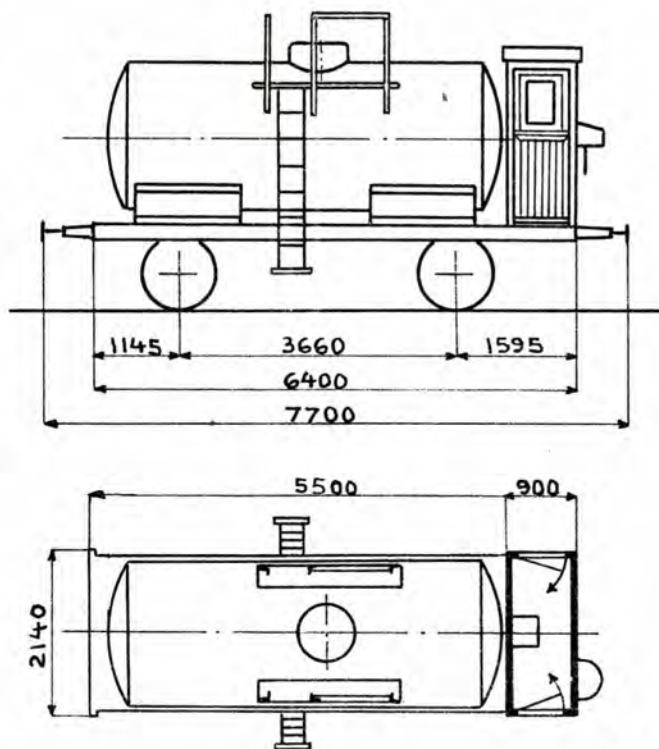
Antall	Vogn nr.	Distrikt	Fabrikant	Bygge- år	Hoved- tegning	Gulv- flate	Rom- inn- hold	Brems, oppvarming, belysning m.v. Se side 6	Anm.
						m ²	m ³		
1	4956	Oslo	Strømmen	1926	2658		13.8	3.15	} Tidl. Qf3 - 1
1	4957	"	"	"	"		"	3.15	
1	4958	"	"	"	"		"	3.15	
1	4986	"	"	1940	"		"	1H. 3	
1	4987	"	"	"	"		"	1H. 3	
1	4988	"	"	"	"		"	1H. 3	



Omtrentl. egenvekt: 11,0 t.
" lasteevne: 17,5 t.

Tankvogn

Antall	Vogn nr.	Distrikt	Fabrikant	Bygge- år	Hoved- tegning	Gulv- flate	Rom- inn- hold	Bremses, oppvarming, belysning m.v. Se side 6.	Anm.
						m ²	m ³		
1	73004	Oslo	Skabo	1940	4660		19,0	I.H. 3. 24	Tidl. Qf4 - 1

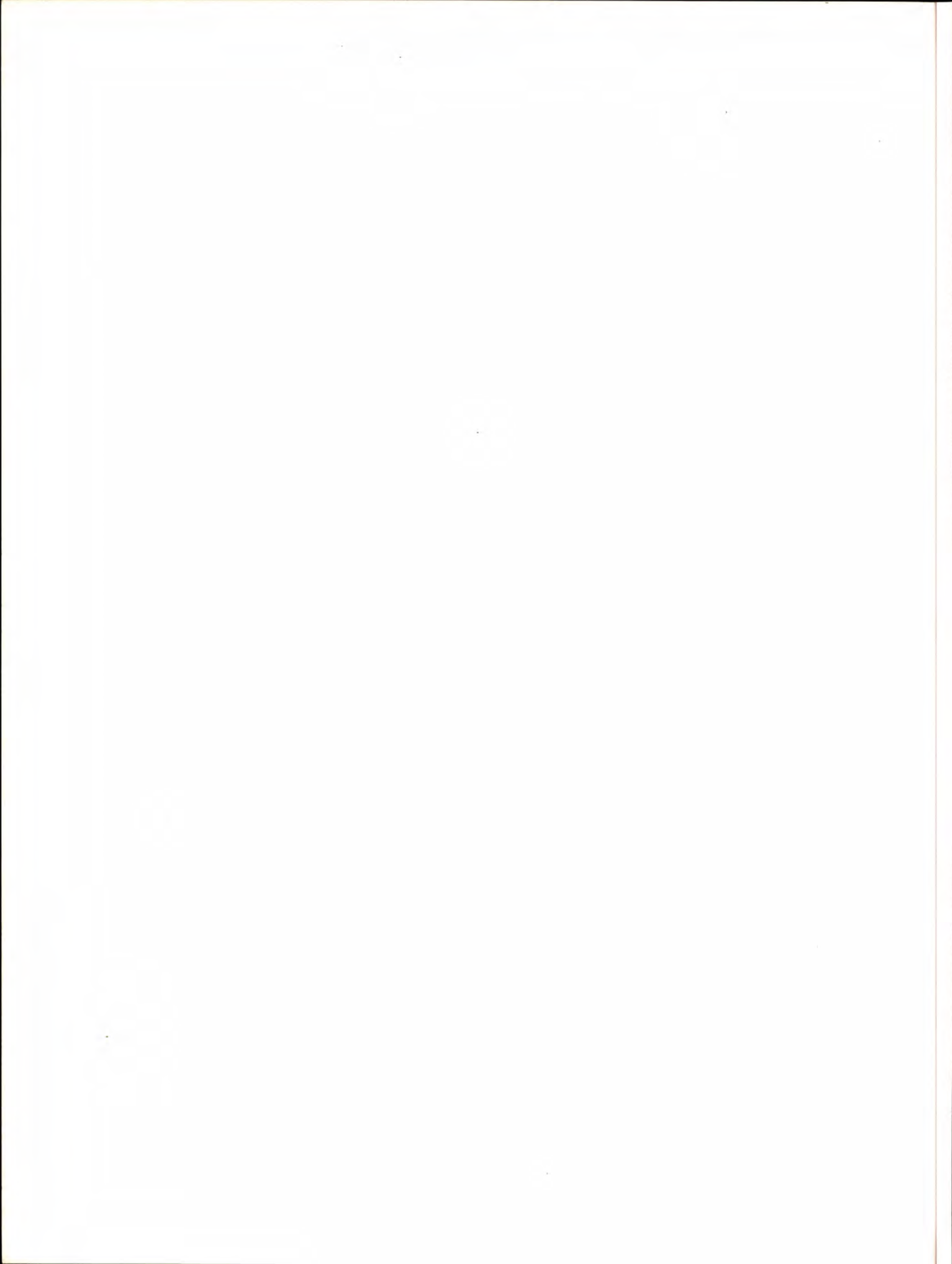


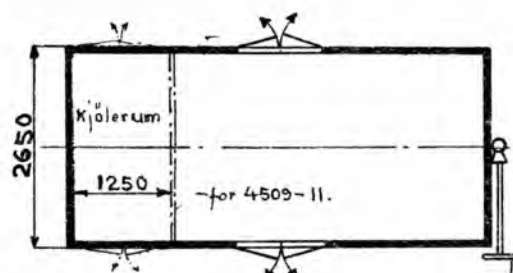
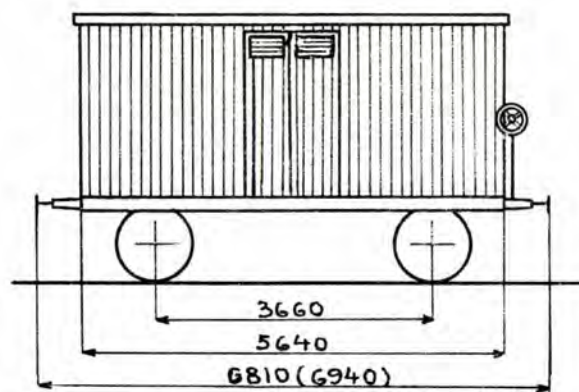
Omtrentl. egenvekt: 9,5t.

» lasteevne: 13,5t

Tankvogn

Antall	Vogn nr.	Distrikt	Fabrikant	Bygge år	Hoved-tegning	Gulv-plate	Rum-innhold	Bremses, opvarming, belysning m.v. Se side 6	Anm.
						m ²	m ³		
1	4956	Oslo	Strømmen	1926	2658		13,8	3	
1	4957	"	"	"	"		"	3	
1	4958	"	"	"	"		"	3	



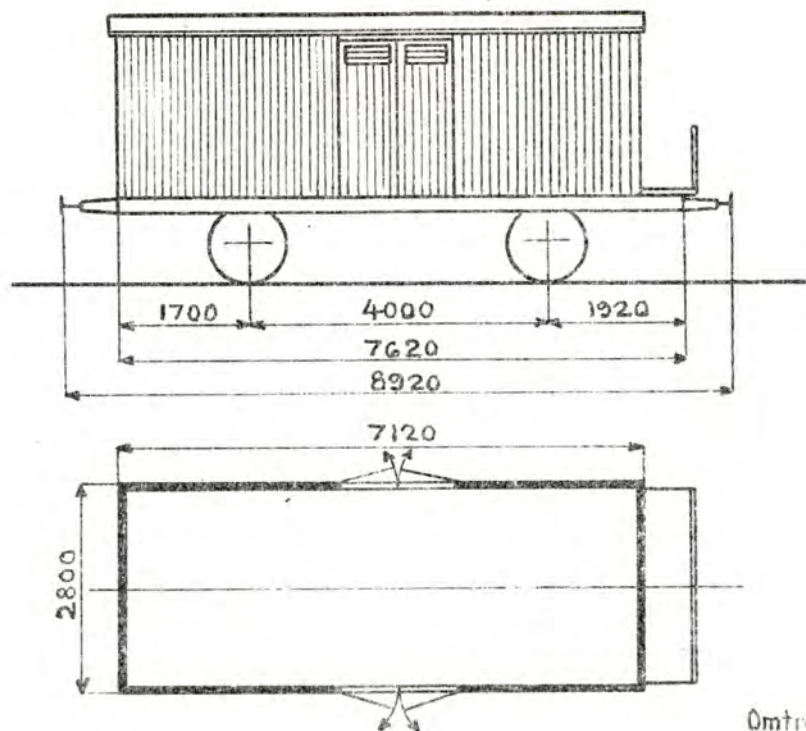


Omtrentl. egenvekt: 8,5 t.

” lasteevne: 8,5 ”

Melkevogn

Antall	Vogn nr.	Distrikt	Fabrikant	Bygge år	Hovedtegning	Gulvflate	Ruminnhold	Bremses, opvarming, belysning m.v. Se side 6	Anm.
						m ²	m ³		
2	8451, 8452	Hmr.	Strömmen	1894	289	13,3	27,4	1.3.8	Tilhengere for motorvogner. Ledn. og lamper for elektr. belysning.
1	8453	"	"	"	"	"	"	1.3.8	
1	8455	"	"	1895	"	"	"	1.3.6.8	
1	2893	Oslo.	"	1897	"	"	"	1.3.6.8	
2	6921, 6922	"	"	1899	"	"	"	1.3.6.8	
1	6923	"	"	"	"	"	"	1.3.6.8	
2	2896, 2897	"	"	1901	"	"	"	1.3.6.8	
3	4509-4511	"	"	"	"	"	"	1.3.6.8	
2	4512, 4513	"	"	"	"	"	"	1.3.6.8	
2	8456, 8457	Hmr.	"	"	"	"	"	1.3.6.8	
1	8458	"	"	"	"	"	"	1.3.6.8	
1	12902	Thm.	"	"	"	"	"	1.3.6.8	
1	2898	Oslo	"	1906	"	"	"	1.3.6.8	
2	6926, 6927	"	Eidsfos	1909	"	"	"	1.3.6.8	
1	6929	"	"	"	"	"	"	1.3.6.8	
1	7453	"	Skabo	1910	"	"	"	1.3.6.8	



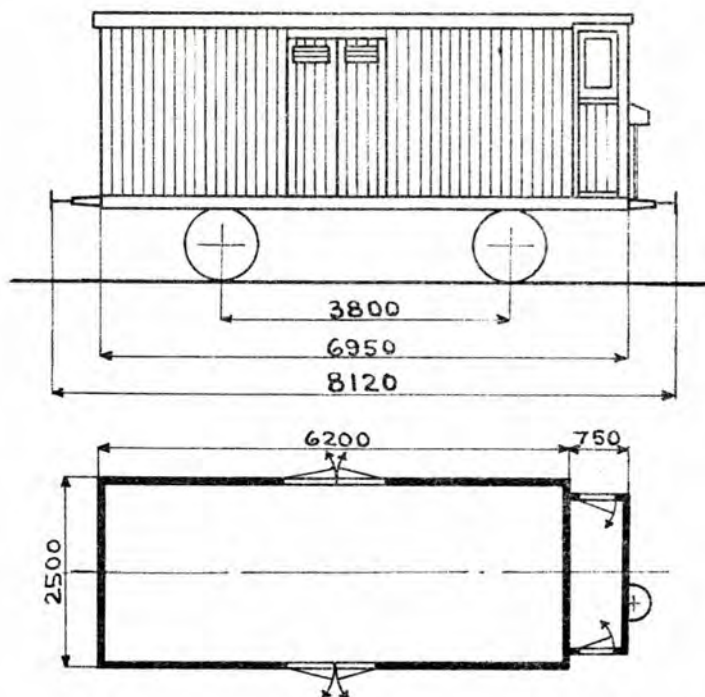
Omtrentl. egenvekt: 11,0 t.

" lasteevne: 11,5 "

Melkvogn

Antall	Vogn nr.	Distrikt	Fabrikant	Bygge- år	Hoved- tegning	Gulv- flate	Rum- inn- hold	Bremses, opvarming, belysning m.v. Se side 6	Anm.
						m ²	m ³		
1	20770	Drn	Norrköping Warfs	1921	2275 ¹⁾	18,0	36,7	1.3.6.8	
1	20252	"	Eidstos	1922	"	"	"	1.3.6.8.40	

¹⁾ Med forandring etter skisse dat. 12-7-1929.

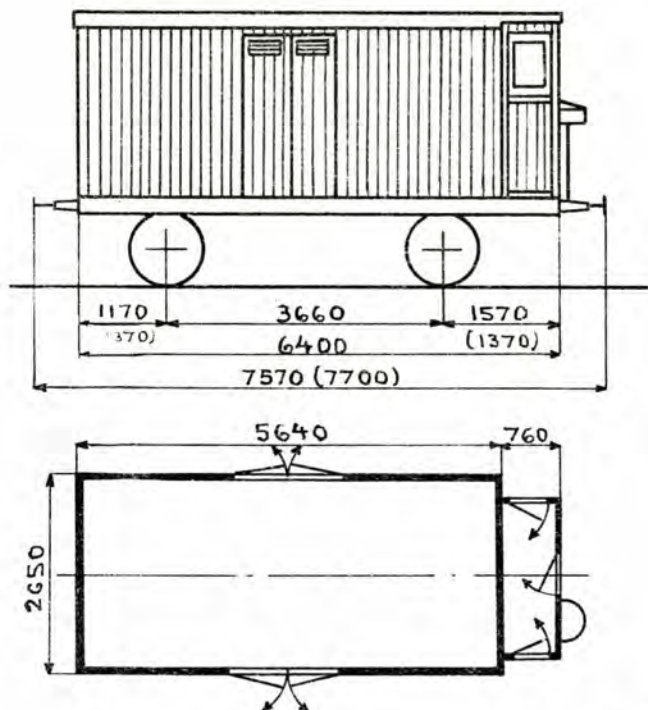


Omtrentl. egenvekt: 9,0 t.

” lasteevne: 8,0 ”

Melkevogn

Antall	Vogn nr.	Distrikt	Fabrikant	Bygge år	Hovedtegning	Gulvflate	Ruminnhold	Bremses, opvarming, belysning m.v. Se side 6	Anm.
						m ²	m ³		
1	15491	Drn.	Eidsfos	1904	766	14,0	28,2	1.3.6.8	
1	15492	”	”	”	”	”	”	1.3.6.8	
1	15493	”	”	”	”	”	”	1.3.6.8	

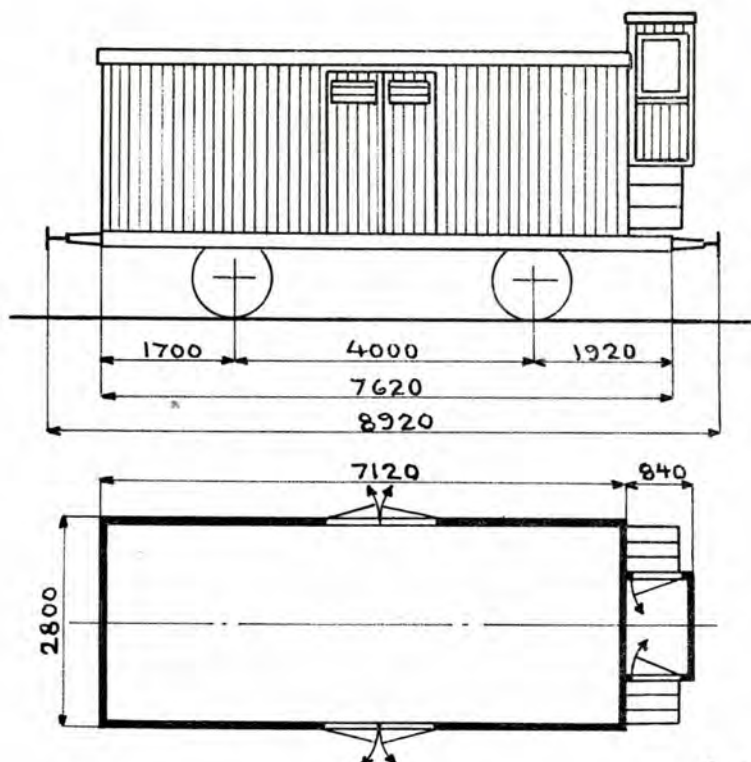


Omtrentl. egenvekt: 9,0t.

» lasteevne: 8,0 "

Melkevogn

Antall	Vogn nr.	Distrikt	Fabrikant	Bygge år	Hoved-tegning	Gulv-plate	Rum-inn-hold	Bremses, opvarming, belysning m.v. Se side 6	Anm.
						m ²	m ³		
2	2891 , 2894	Oslo	Oslo distr.	1904	Oslo distr. 725	13,3	27,4	1.3.6.8	Begge hjulsatser 1370mm. fra endebjelkene.
1	2895	"	"	"	"	"	"	1.3.6.8	
2	15494 , 15495	Drn.	Eidsfos	1911	+1271	"	"	1.3.6.8	
2	23061 , 23062	T.P.B.	"	1915	Oslo distr. 725+1951	"	"	1.3.6.8	
2	4515 , 4516	Oslo	"	1916	"	"	"	1.3.6.8	
2	6930 , 6931	"	"	"	"	"	"	1.3.6.8	
2	8441 , 8442	Hmr.	"	"	"	"	"	1.3.6.8	
1	8443	"	"	"	"	"	"	1.3.6.8	
2	17530 , 17531	Thm.	"	"	"	"	"	1.3.6.8	

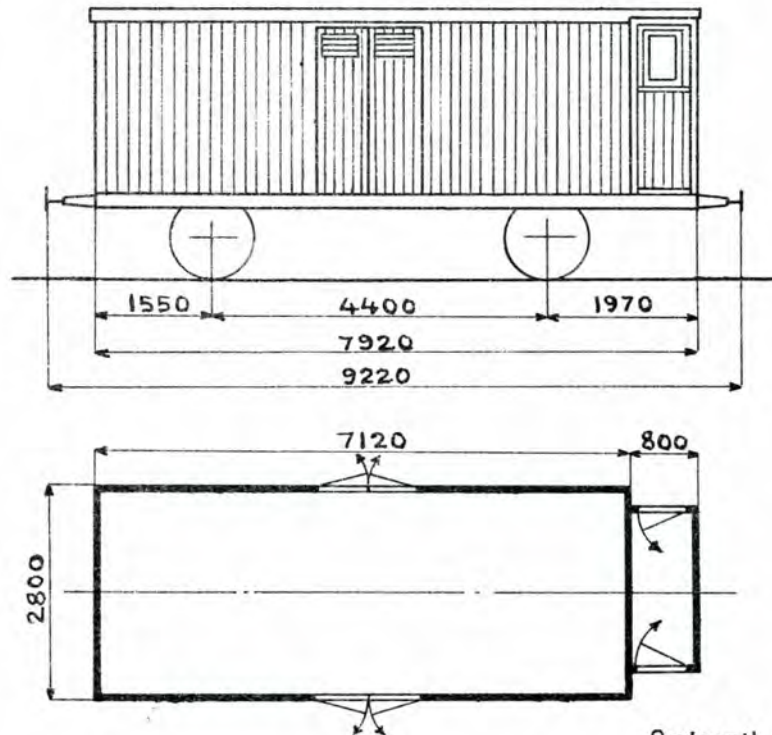


Omtrentl. egenvekt: 11,0 t.

” lasteevne: 11,5 ”

Melkevogn

Antall	Vogn nr.	Distrikt	Fabrikant	Bygge år	Hoved-tegning	Gulv-flate	Rum-inn-hold	Bremsler, opvarming, belysning m.v. Se side 6	Anm.
						m ²	m ³		
2	2900, 2901	Oslo	Norrköping Warfs	1921	2275	18,0	36,7	1.3.6.8	
18	4517 - 4534	"	Eidsfos	"	"	"	"	1.3.6.8	
8	6979 - 6986	"	Norrköping Warfs	"	"	"	"	1.3.6.8	
6	8371 - 8376	Hmr.	"	"	"	"	"	1.3.6.8	
4	20769 - 20772	Drm.	"	"	"	"	"	1.3.6.8	
8	20251 - 20258	"	Eidsfos	1922	"	"	"	1.3.6.8	

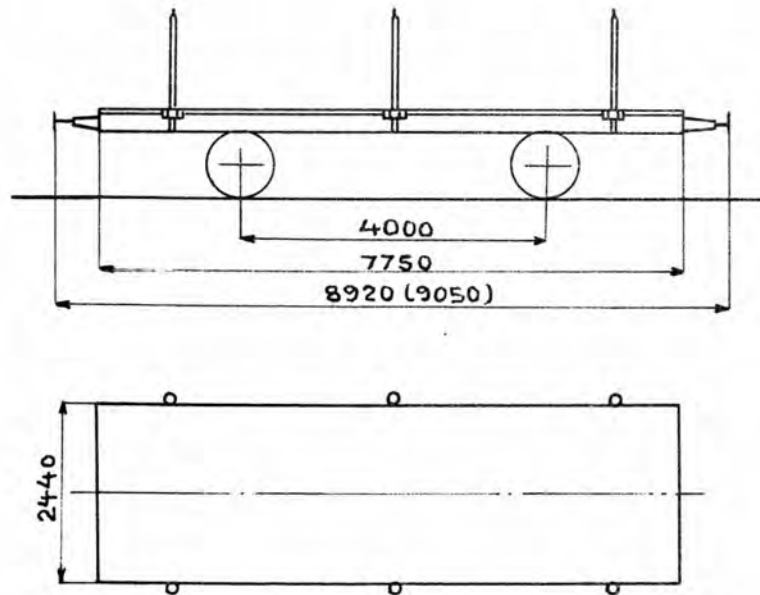


Omtrentl. egenvekt: 11,0 t.

» lasteevne: 12,0 t

Melkevogn

Antall	Vogn nr.	Distrikt	Fabrikant	Bygge år	Hoved-tegning	Gulv-plate	Rum-inn-hold	Bremsar, opvarming, belysning m.v. Se side 6	Anm.
						m ²	m ³		
5	2902 - 2906	Oslo	Fr. stad mek. V.	1926	2646	18,0	36,7	1.3.6.8	
2	9251, 9252	Brg.	"	"	"	"	"	1.3.6.8	
4	2907 - 2910	Oslo	"	1927	"	"	"	1.3.6.8	
1	2970	"	"	"	"	"	"	1.3.6.8	
2	16587, 16588	Drm.	Skabo	1929	"	"	"	1.3.6.8	



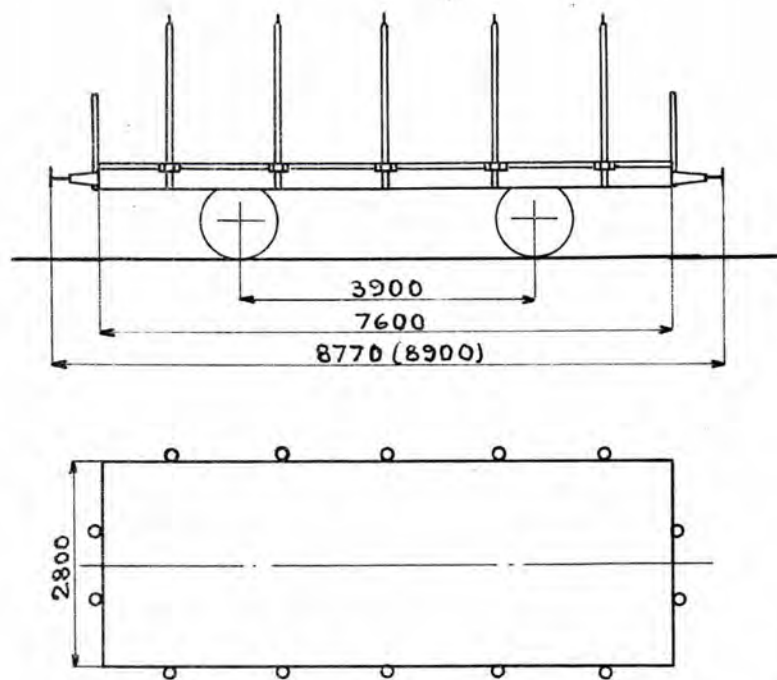
Omtrentl. egenvekt: 5,8 t.

» lasteevne: 11,5 »

Plattformvogn

Antall	Vogn nr.	Distrikt	Fabrikant	Bygge år	Hoved-tegning	Gulv-plate	Rum-innhold	Bremses, opvarming, belysning m.v. Se side 6	Anm.
						m ²	m ³		
1	2971	Oslo	Skabo	1891	136	18,9		21	4 kippstaker på hver side.
1	2976	"	"	"	"	"		21	— " — " " "
1	2979	"	"	"	"	"		21	— " — " " "
1	2982	"	"	"	"	"		21	— " — " " "
1	2983	"	"	"	"	"		21	— " — " " "
1	2977	"	Strømmen	1892	"	"		21	
1	2978	"	"	"	"	"		21	

T₃
TYPE 1



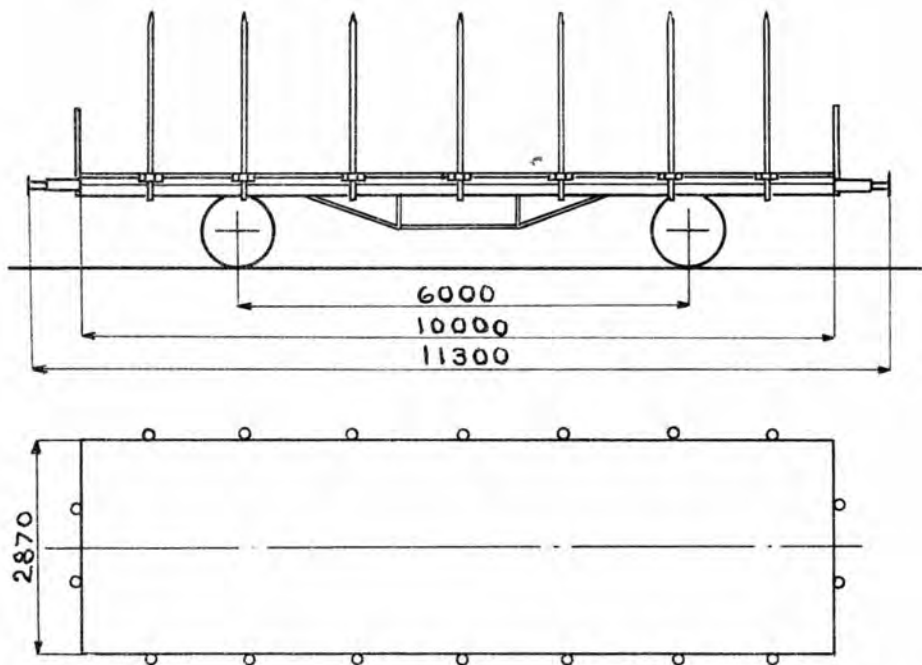
Omtrentl. egenvekt: 7,0 t.

» lasteevne: 16,0 "

Plattformvogn

Antall	Vogn nr.	Distrikt	Fabrikant	Bygge år	Hoved-tegning	Gulv-plate	Rum-innhold	Bremses, opvarming, belysning m.v. Se side 6	Anm.
						m ²	m ³		
90	4801 - 4890	Oslo	Strømmen	1913	1458	21,3		21	
54	6536 - 6589	"	Skabo	1914	"	"		21	
20	6591 - 6610	"	"	"	"	"		21	
8	6611 - 6618	"	Strømmen	"	"	"		21	
1	6619	"	"	"	"	"		2. 21	Tank for transp. av levende fisk.
15	6620 - 6634	"	"	"	"	"		21	
12	6636 - 6647	"	"	"	"	"		21	
12	6649 - 6660	"	"	"	"	"		21	
30	14499 - 14528	Brg.	"	"	"	"		21	Nr. 14527: 2.6.21
24	17002 - 17025	Oslo	"	"	"	"		21	
45	17091 - 17135	"	Linke-Hofman	1921	"	"		21	
6	17551 - 17556	"	Skobo	1922	"	"		21	
7	17558 - 17564	"	"	"	"	"		21	

T4
TYPE 1

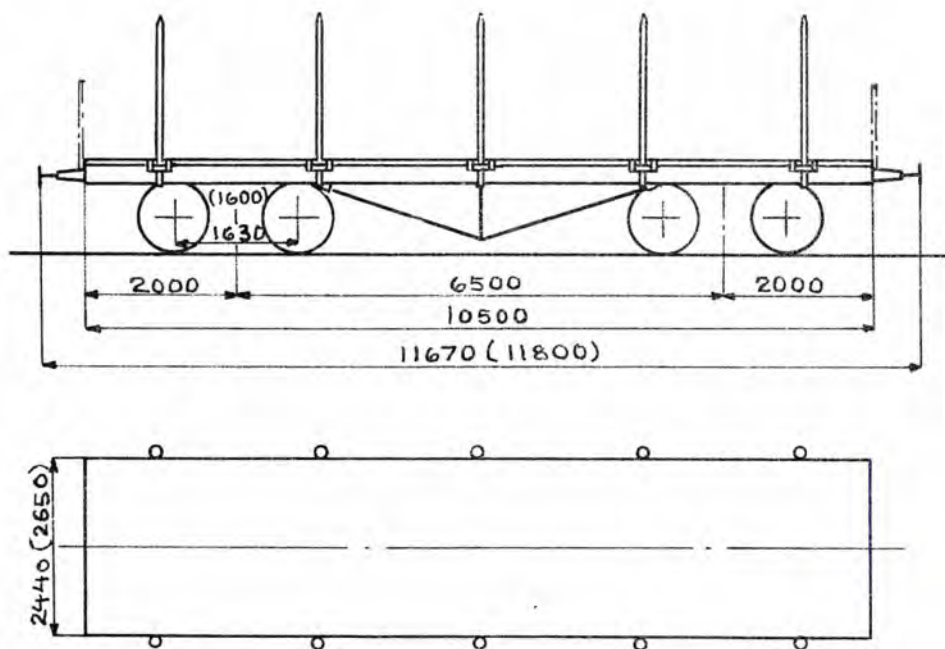


Omtrentl. egenvekt: 8,5 t.

» lasteevne: 20,0 »

Plattformvogn

Antall	Vogn nr.	Distrikt	Fabrikant	Bygge år	Hoved-tegning	Gulv-plate	Rum-innhold	Bremses, opvarming, belysning m.v. Se side 6	Anm.
						m ²	m ³		
12	16594 - 16605	Drm.	Skabo	1932	3250	28,7		21,24	
28	16606 - 16633	"	"	1932/33	"	"		21,24	
20	16659 - 16678	"	"	1933	"	"		21,24	
10	16679 - 16688	"	Glommen mek. v.	"	"	"		21,24	
50	4701 - 4750	Oslo	Skabo	1935	3770	"		21,24	
50	4751 - 4800	"	Strømmen	"	"	"		21,24	



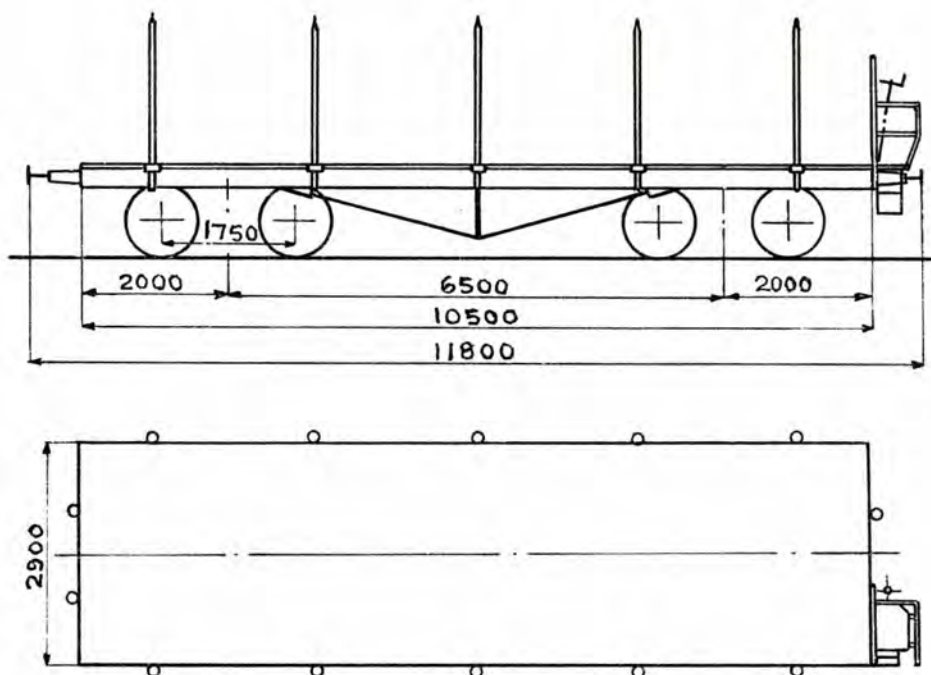
Omtrentl. egenvekt: 10,0t.

» lasteevne: 23,5 "

Plattformvogn

Antall	Vogn nr.	Distrikt	Fabrikant	Bygge år	Hoved-tegning	Gulv-plate	Rum-innhold	Bremses, opvarming, belysning m.v. Se side 6	Anm.
						m ²	m ³		
2	2781, 2782	Oslo	Kværner	1893	*	27,8		21	Boggi-akselavst = 1600mm. Vognbredde = 2650 " *) Opr. Ko-vogner efter tegn. 240.
2	2783, 2784	"	"	"	"	"	21		
2	4381, 4382	"	"	"	"	"	21		
2	4383, 4384	"	"	"	"	"	21		
1	2785	"	Skabo	1898	"	"	21		
2	14901, 14902	Brg.	"	1904	768	25,6	21		
2	14903, 14904	"	Eidsfos	1905	"	"	21		
2	14905, 14906	"	"	1906	"	"	21		
2	14907, 14908	"	"	"	"	"	21		
5	17164 - 17168	Oslo	Strømmen	1921	"	"	21		
5	14909 - 14913	Brg.	"	1922	"	"	21		
5	15996 - 16000	Drm.	Skabo	"	"	"	21		

T03
TYPE 1

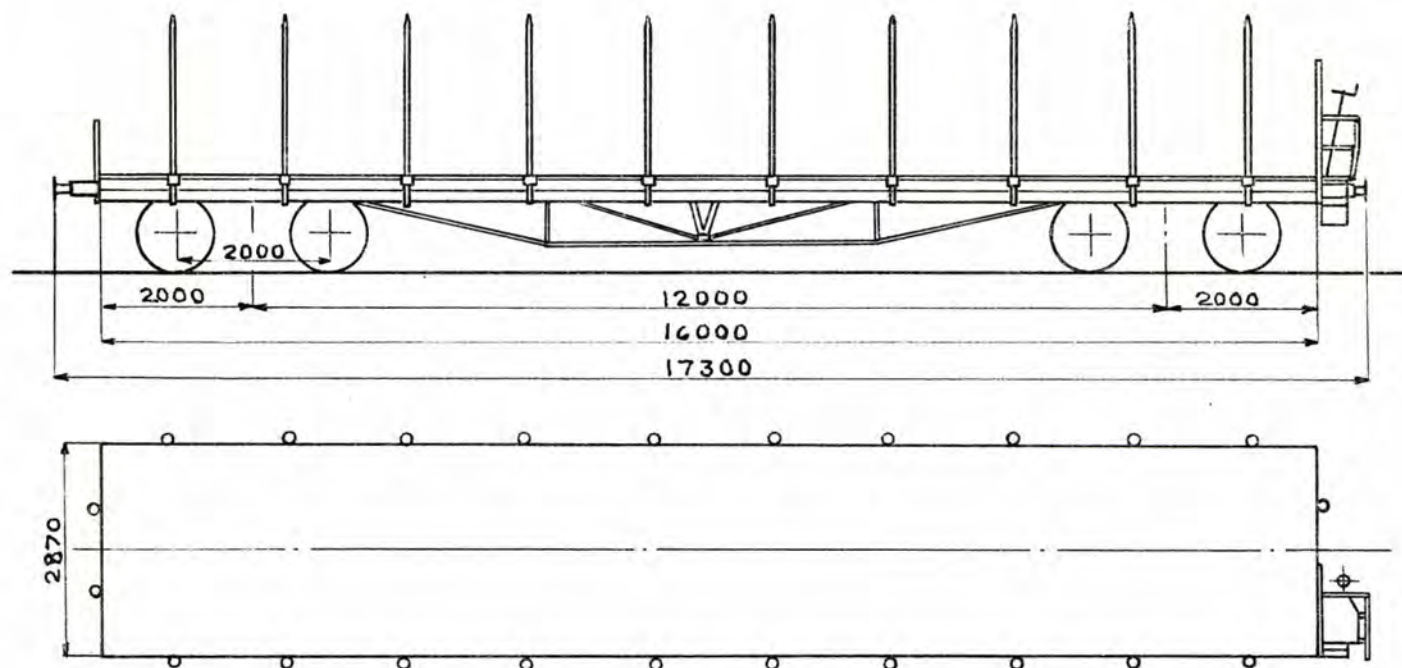


Omtrentl. egenvekt: 13,8 t.

» lasteevne: 32,0 t

Plattformvogn

Antall	Vogn nr.	Distrikt	Fabrikant	Bygge år	Hoved-tegning	Gulv-plate	Rum-inn-hold	Bremses, opvarming, belysning m.v. Se side 6	Anm.
						m ²	m ³		
1	6842	Oslo	Skabo	1916	*)	30,5		3	*) Opr. NPfo-vogner efter tegn. 2157.
1	6843	T.P.B.	"	"	"	"		3	
1	6844	Oslo	"	"	"	"		3	
1	6845	"	"	"	"	"		3	

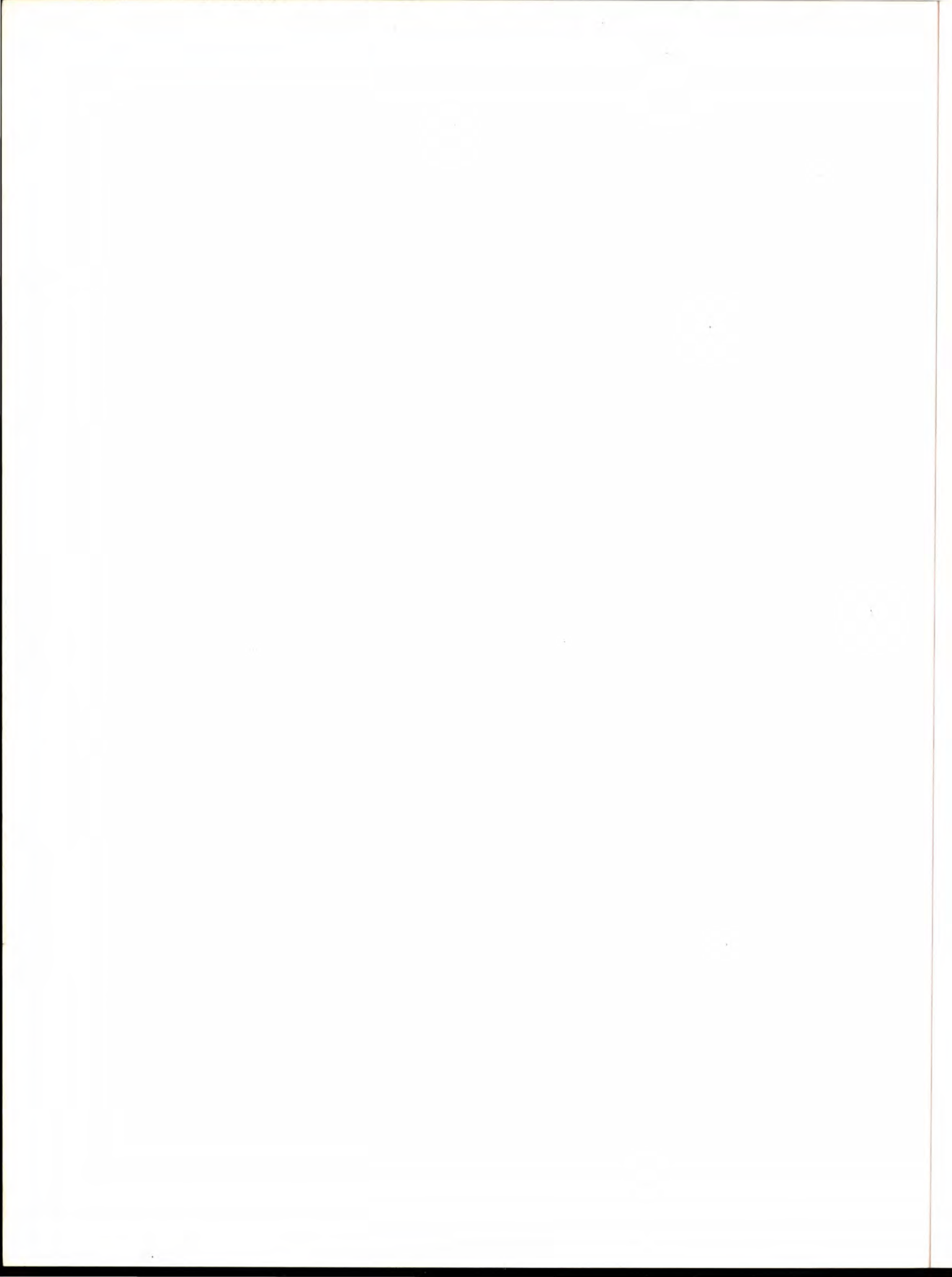


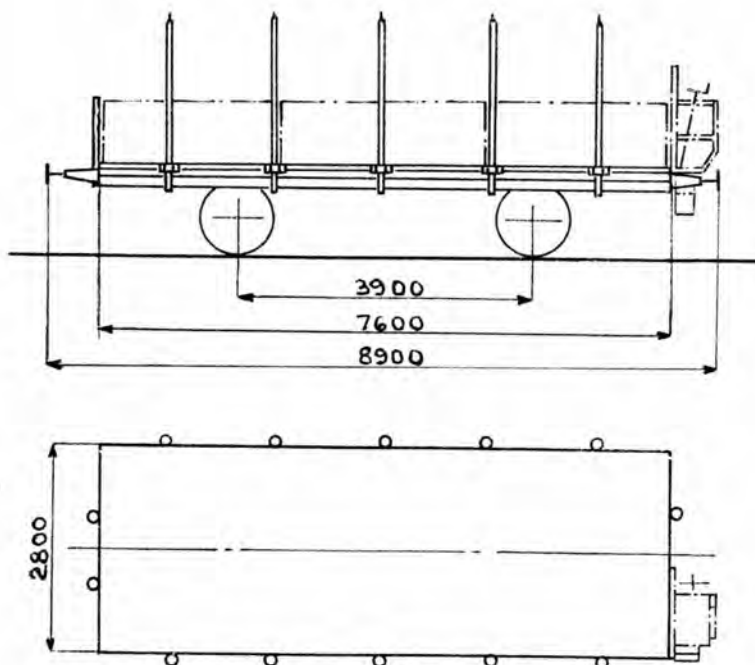
Omtrentl. egenvekt: 17,8 t.

» lasteevne: 40,0 »

Plattformvogn

Antall	Vogn nr.	Distrikt	Fabrikant	Bygge år	Hoved-tegning	Gulv- flate	Rum- inn- hold	Bremses, opvarming, belysning m.v. Se side 6	Anm.
						m ²	m ³		
25	16634 - 16658	Drm.	Strømmen	1933	3400	45,9		3	Ikke levert pr. 1/1 36.
15	4936 - 4950	Oslo	"	1936	"	"		3	





Omtrentl. egenvekt: 8,0 t.

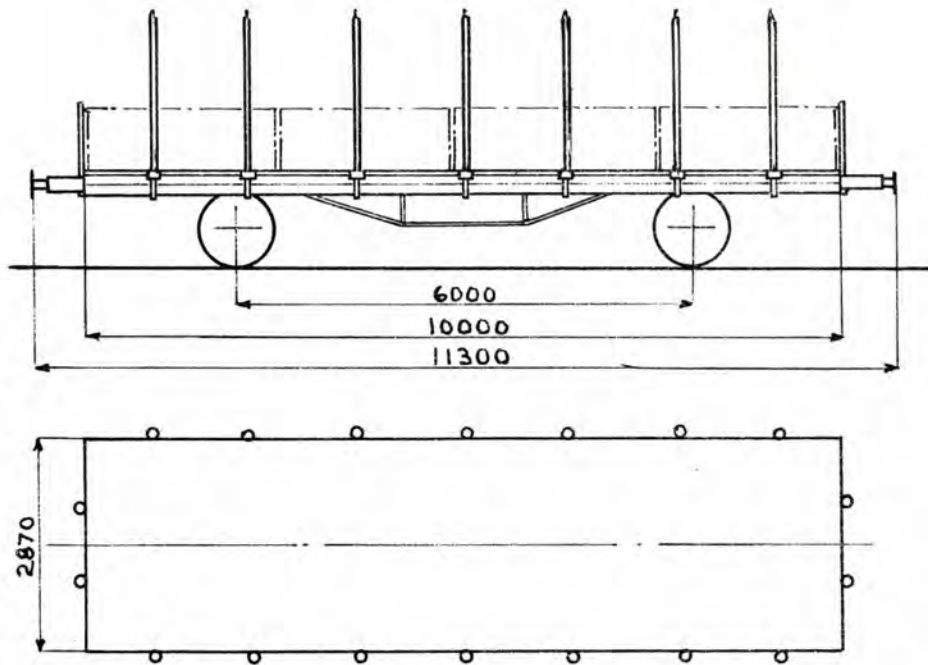
» lasteevne: 15,0 - 15,5 "

Plattformvogn med nedleggbare jernlemmer

Antall	Vogn nr.	Distrikt	Fabrikant	Bygge år	Hoved-tegning	Gulv-plate	Rum-inn-hold	Brems, opvarming, belysning m.v. Se side 6	Anm.
						m ²	m ³		
15	2985 - 2999	Oslo	Strømmen	1916	1458 + 2140	21,3	17,0	21	
20	10441 - 10460	Thm.	"	"	"	"	"	21	
7	14529 - 14535	Brg.	"	"	"	"	"	21	
2	14536, 14537	"	"	"	"	"	"	1. 21	
3	14538 - 14540	"	"	"	"	"	"	21	
1	14541	"	"	"	"	"	"	1. 21	
6	14542 - 14547	"	"	"	"	"	"	21	
1	14548	"	"	"	"	"	"	1. 21	
20	14549 - 14568	"	"	"	"	"	"	21	
10	15536 - 15545	Drm.	"	"	"	"	"	21	
15	4891 - 4905	Oslo	Skabo	1918/19	"	"	"	21	
10	6781 - 6790	"	"	"	"	"	"	21	
10	17026 - 17035	"	"	"	"	"	"	21	
30	10461 - 10490	Thm.	"	1919	"	"	"	21	
40	6211 - 6250	Oslo	Strømmen	1920	"	"	"	21	
10	6791 - 6800	"	Skabo	"	"	"	"	21	
5	6821 - 6825	"	"	"	"	"	"	21	
10	10491 - 10500	Thm.	"	"	"	"	"	21	
5	10526 - 10530	"	"	"	"	"	"	21	
10	10656 - 10665	"	Strømmen	"	"	"	"	21	
35	10666 - 10700	"	{Linke-Hofmann	"	"	"	"	21	

Antall	Vogn nr.	Distrikt	Fabrikant	Bygge år	Hovedtegning	Gulv-	Rum-	Bremseser, oppvarming, belysning m.v. Se side 6	Anm.
						flate	innhold		
						m ²	m ³		
10	10914-10923	Thm.	Linke Hofmann	1920	+1458 +2140	21,3	17,0	21	
3	10924-10926	"	"	1921	+1458 +2278 ¹⁾	"	"	3	
2	10928, 10929	"	"	"	"	"	"	3	
3	10931-10933	"	"	"	"	"	"	3	
15	17136-17150	Oslo	"	"	+1458 +2140	"	"	21	
5	17159-17163	"	"	"	"	"	"	21	
25	15546-15570	Drn.	Strømmen	1922	"	"	"	21	
2	6832, 6835	Oslo	{ Fr. stad mek. v.	1923	+1458 +2278 ¹⁾	"	"	3	
4	6837-6840	"	"	"	"	"	"	3	
1	6865	"	"	"	"	"	"	3	
5	6867-6871	"	"	"	"	"	"	3	
3	6876-6878	"	"	"	"	"	"	3	
2	10940, 10947	Thm.	"	"	"	"	"	3	
2	10953, 10957	"	"	"	"	"	"	3	
2	10962, 10964	"	"	"	"	"	"	3	
2	6880, 6881	Oslo	"	1924	"	"	"	3	
2	6883, 6886	"	"	"	"	"	"	3	
2	6888, 6889	"	"	"	"	"	"	3	
2	6893, 6894	"	"	"	"	"	"	3	
2	6897, 6899	"	"	"	"	"	"	3	
2	6997, 7000	"	"	"	"	"	"	3	
1	10967	Thm.	"	"	"	"	"	3	
1	14573	Brg.	"	"	"	"	"	3	
15	5369-5383	Hmr.	Eidsfos	1925	+1458 +2140	"	"	21	
15	5751-5765	Thm.	"	"	"	"	"	21	
6	10975-10980	"	{ Fr. stad mek. v.	"	"	"	"	21	
14	10982-10995	"	"	"	"	"	"	21	
30	15571-15600	Drn.	"	"	"	"	"	21	
10	16475-16484	"	Eidsfos	"	"	"	"	21	
10	5389-5398	Hmr.	Skabo	1927	"	"	"	21	
2	5399, 5400	"	Strømmen	"	"	"	"	21	
8	5467-5474	"	"	"	"	"	"	21	
13	16516-16528	Drn.	"	"	"	"	"	21	
22	16529-16550	"	"	1928	"	"	"	21	
5	16566-16570	"	"	"	"	"	"	21	

¹⁾ Bremseserhus erstattet med bremseserplattform efter tegn. 3291.

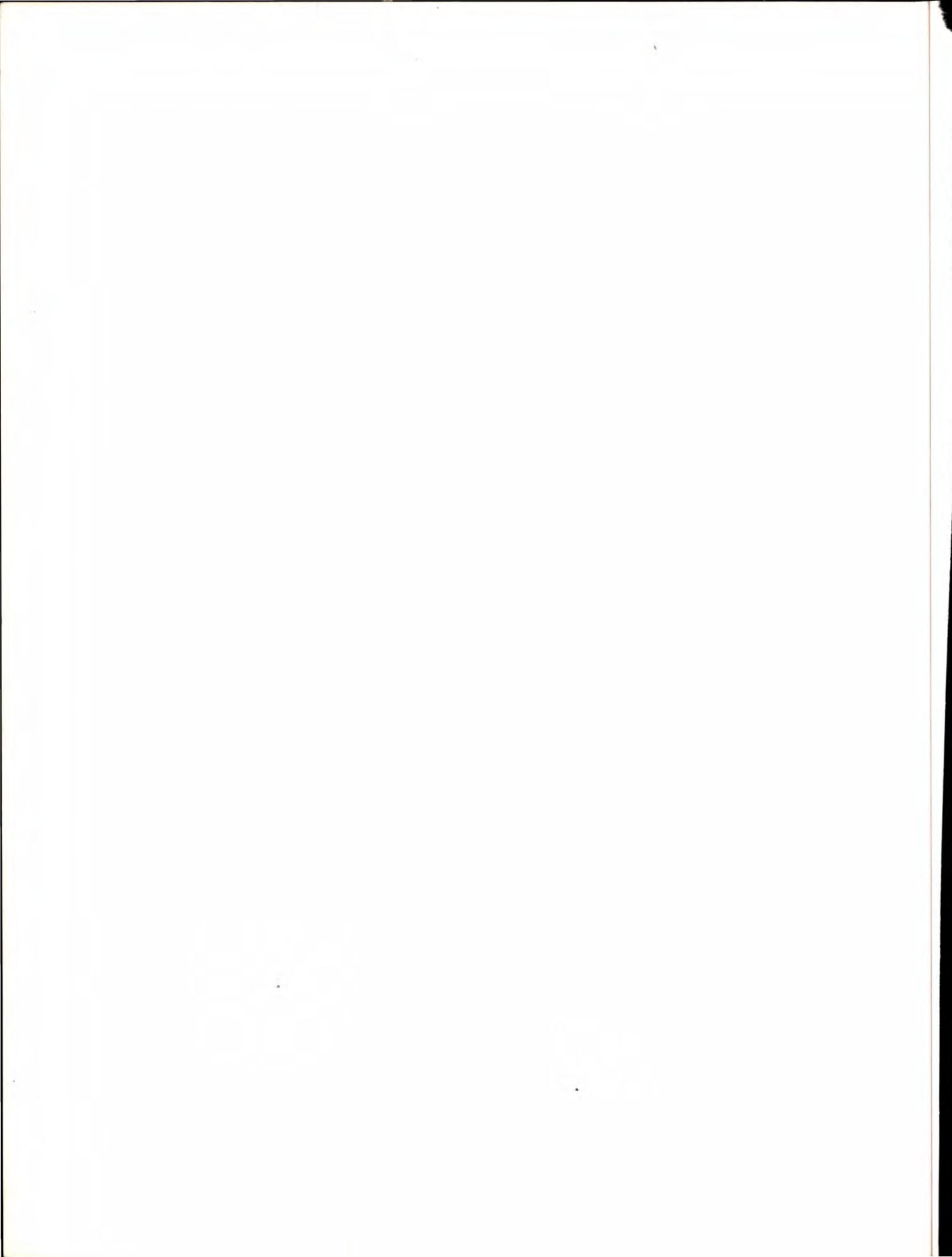


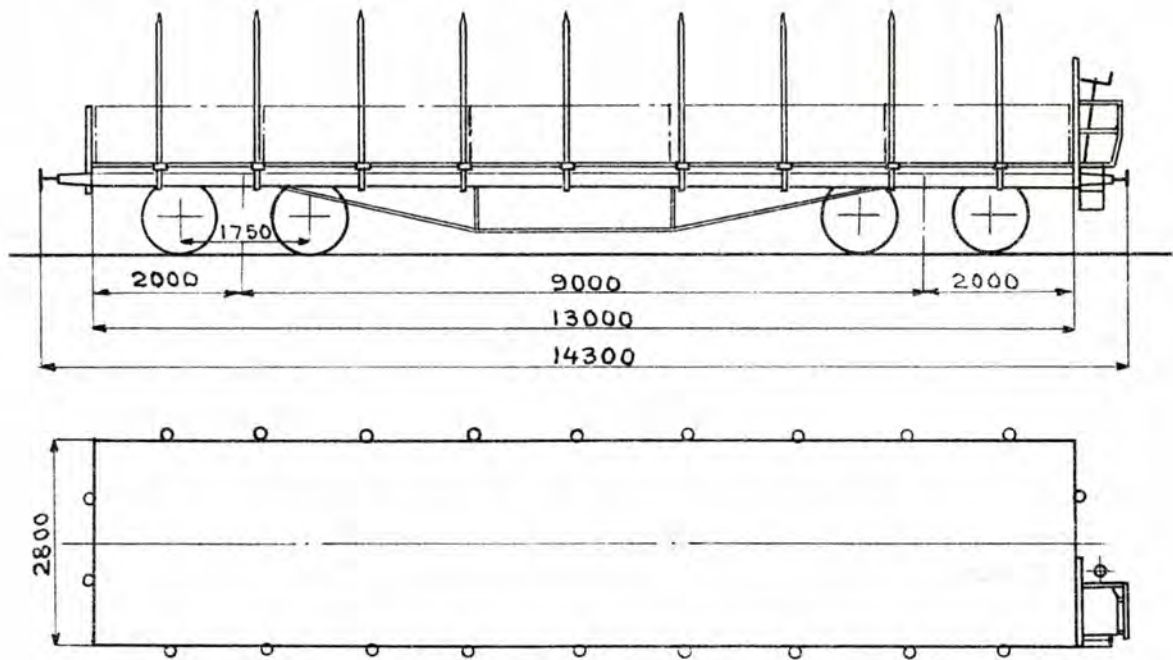
Omtrentl. egenvekt:

» lasteevne:

Plattformvogn med nedleggbare jernlemmer

Antall	Vogn nr.	Distrikt	Fabrikant	Bygge år	Hovedtegning	Gulvflate	Ruminnhold	Bremses, opvarming, belysning m.v. Se side 6	Anm.
						m ²	m ³		
50	4249 - 4298	Oslo	Skabo	1936	4066	28,7		15.21.24	Ikke levert pr. 1/1-36.





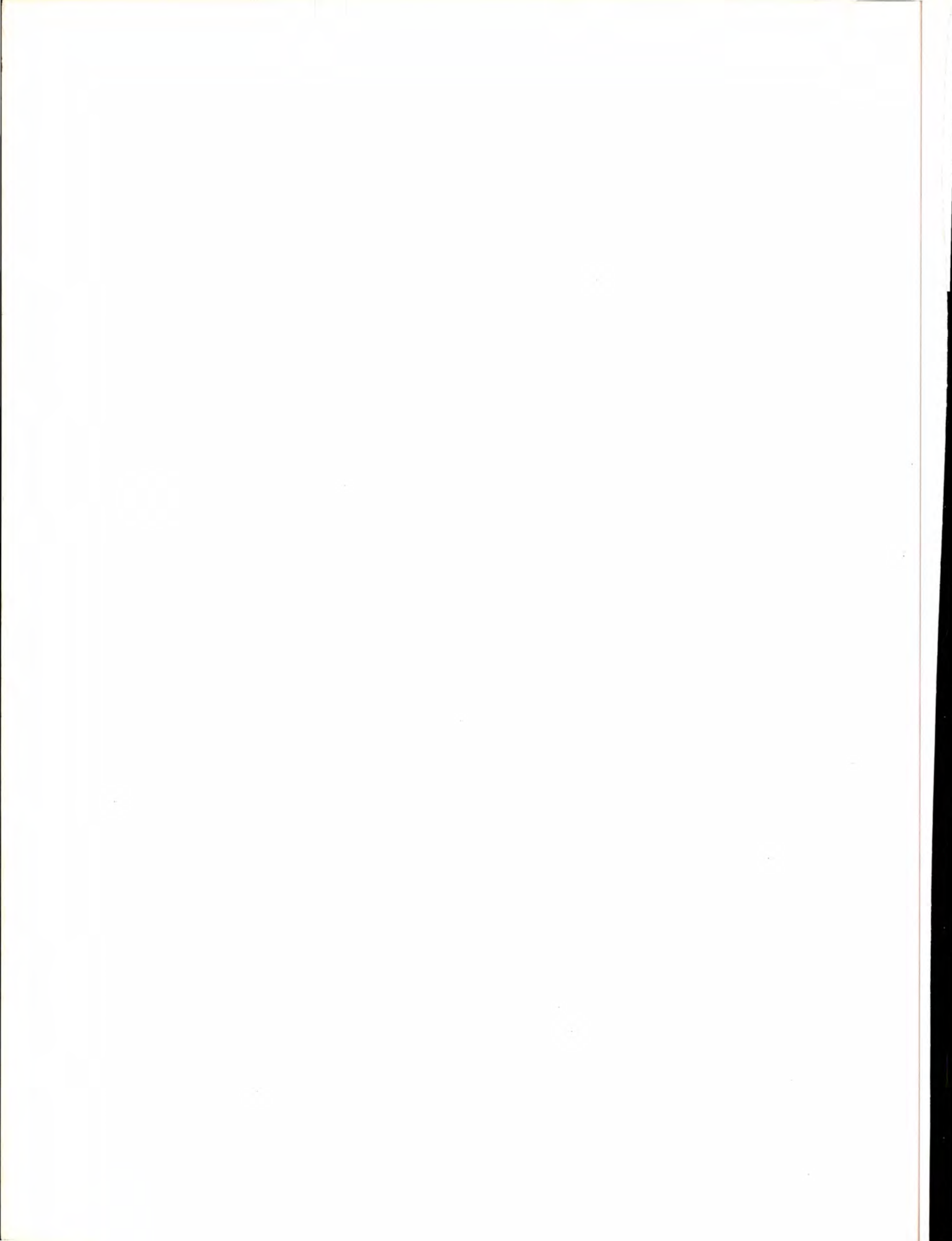
Omtrentl. egenvekt: 17,0t.

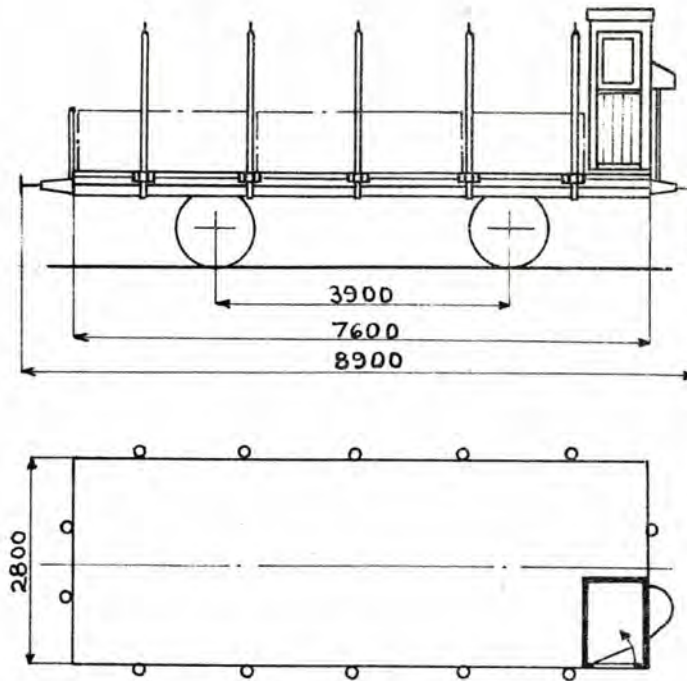
” lasteevne: 29,0 ”

Plattformvogn med nedleggbare jernlemmer

Antall	Vogn nr.	Distrikt	Fabrikant	Bygge år	Hoved- tegning	Gulv- flate	Rum- inn- hold	Bremsar, opvarming, belysning m.v. Se side 6	Anm.
						m ²	m ³		
1	16500	Drn.	{ Fr. Stad mek.v.	1926	2895+2896 ^{1/2}	36,4	32,8	3	
3	16502 - 16504	”	”	”	”	”	”	3	
5	16495 - 16499	”	{ Skiens mek.v.	1928	”	”	”	3	
3	16589 - 16591	”	Strømmen	1929	”	”	”	3	

^{1/2} Bremsarhus erstattet av br. plattform efter tegn. 3291





Omtrentl. egenvekt: 8,0t.

» lasteevne: 15,0t

Plattformvogn med nedleggbare jernlemmer

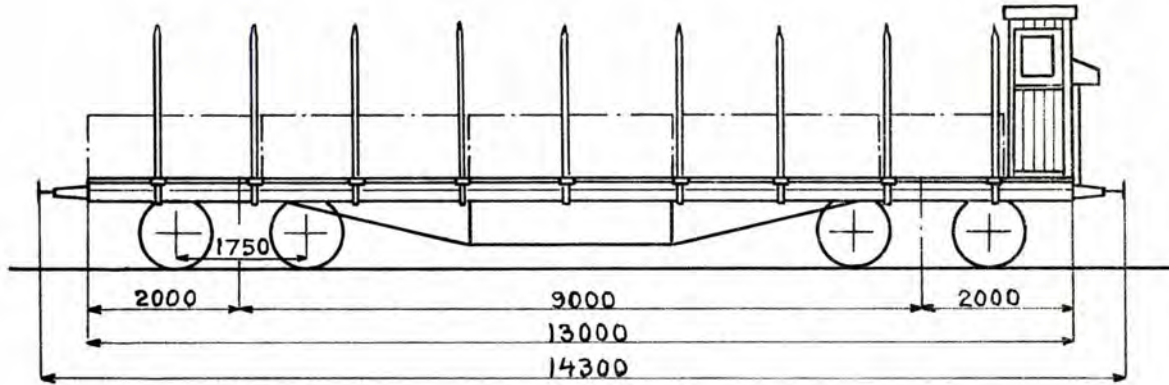
Antall	Vogn nr.	Distrikt	Fabrikant	Bygge år	Hovedtegning	Gulvflate		Bremser, opvarming, belysning m.v. Se side 6	Anm.
						m ²	Ruminnhold m ³		
10	10591 - 10600	Thm.	Strømmen	1920	1458+2278	20,3	16,2	3	
20	10531 - 10550	"	Skabo	1921	"	"	"	3	
2	10927, 10930	"	Linke-Hofmann	"	"	"	"	3	
6	6826 - 6831	Oslo	{Fr. stad mek.v.	1923	"	"	"	3	
2	6833, 6834	"	"	"	"	"	"	3	
1	6836	"	"	"	"	"	"	3	
2	6866, 6872	"	"	"	"	"	"	3	
3	6873 - 6875	"	"	"	"	"	"	3	
1	6879	"	"	"	"	"	"	3	
6	10941 - 10946	Thm.	"	"	"	"	"	3	
5	10948 - 10952	"	"	"	"	"	"	3	
3	10954 - 10956	"	"	"	"	"	"	3	
4	10958 - 10961	"	"	"	"	"	"	3	
1	10963	"	"	"	"	"	"	3	
2	6882, 6884	Oslo	"	1924	"	"	"	3	
2	6885, 6887	"	"	"	"	"	"	3	
3	6890 - 6892	"	"	"	"	"	"	3	
2	6895, 6896	"	"	"	"	"	"	3	
2	6898, 6900	"	"	"	"	"	"	3	
2	6998, 6999	"	"	"	"	"	"	3	
2	10965, 10966	Thm.	"	"	"	"	"	3	

forts.

Tlf3

TYPE 1 (forts)

Antall	Vogn nr.	Distrikt	Fabrikant	Bygge år	Hoved- tegning	Gulv- flate	Rum- inn- hold	Bremses, opvarming, belysning m.v. Se side 6	Anm.
						m ²	m ³		
2	10968, 10969	Thm.	Fr. stad mek.v.	1924	1458+2278	20,3	16,2	3	
5	10970-10974	"	"	"	"	"	"	3	
4	14569-14572	Brg.	"	"	"	"	"	3	
5	14574-14578	"	"	"	"	"	"	3	
20	4906-4925	Oslo	"	1925	"	"	"	3	
8	16485-16492	Drm.	"	"	"	"	"	3	
2	16493, 16494	"	"	1926	"	"	"	3	
5	5384-5388	Hmr.	"	"	"	"	"	3	
20	4229-4248	Oslo	Skabo	1928	"	"	"	3	

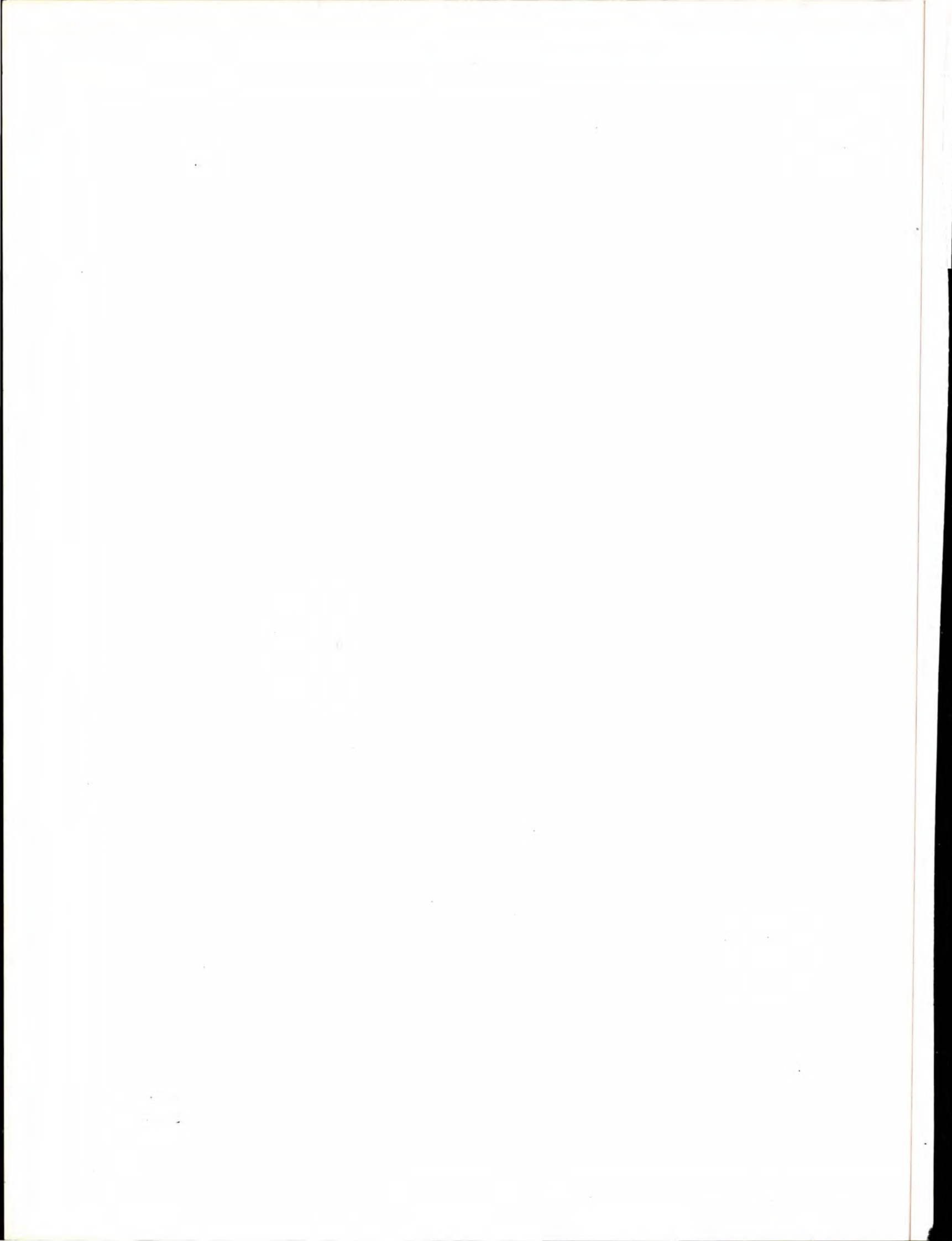


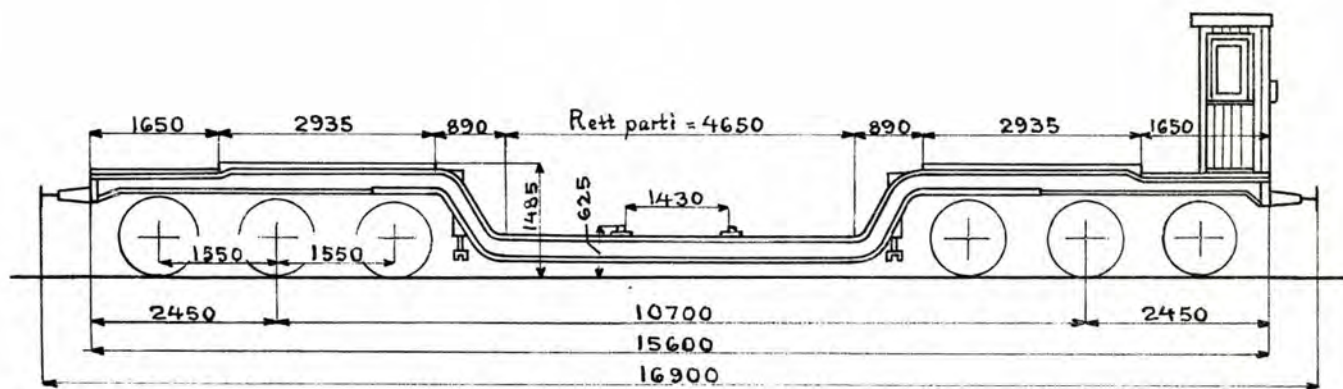
Omtrentl. egenvekt: 17,0t.

” lasteevne: 29,0 ”

Plattformvogn med nedleggbare jernlemmer

Antall	Vogn nr.	Distrikt	Fabrikant	Bygge år	Hoved-tegning	Gulv-plate		Bremser, opvarming, belysning m.v. Se side 6	Anm.
						m ²	Rum-inn-hold m ³		
10	4926 - 4935	Oslo	Fr. stad mek. v.	1925	2895+2896	35,3	31,7	3	
5	14914 - 14918	Brg.	"	"	"	"	"	3	
1	16501	Drm.	"	"	"	"	"	3	



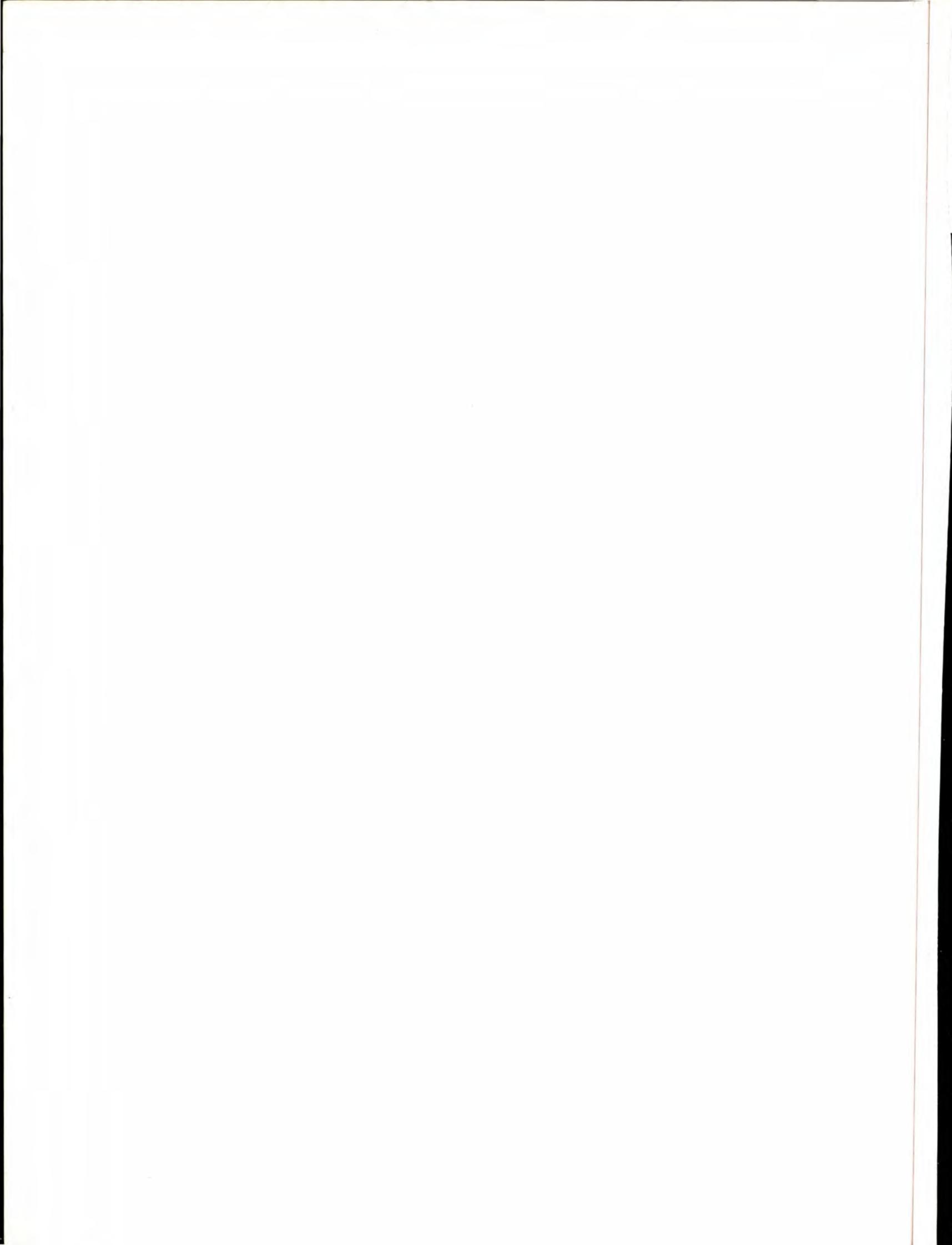


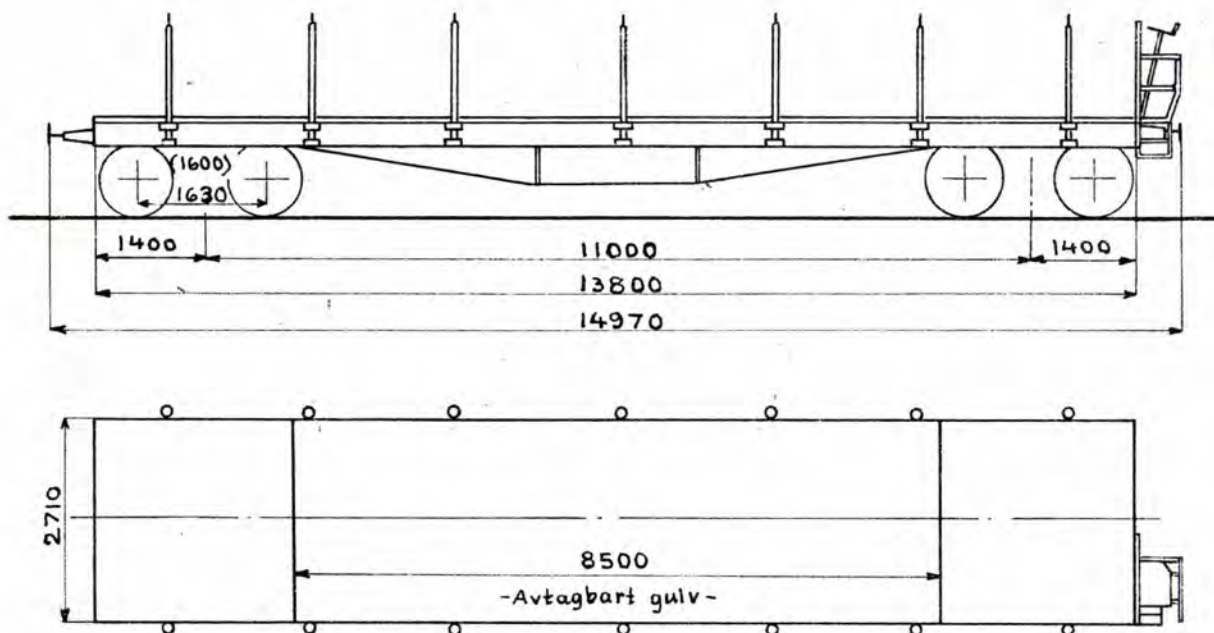
Omtrentl. egenvekt: 28,5 t.

» lasteevne: 52,5 "

Transformatorvogn

Antall	Vogn nr.	Distrikt	Fabrikant	Bygge år	Hoved-tegning	Gulv-plate	Rum-innhold	Bremses, opvarming, belysning m.v. Se side 6	Anm.
						m ²	m ³		
1	16505	Drn.	Strømmen	1926	2930			3	





Omtrentl. egenvekt: 14,5 t.

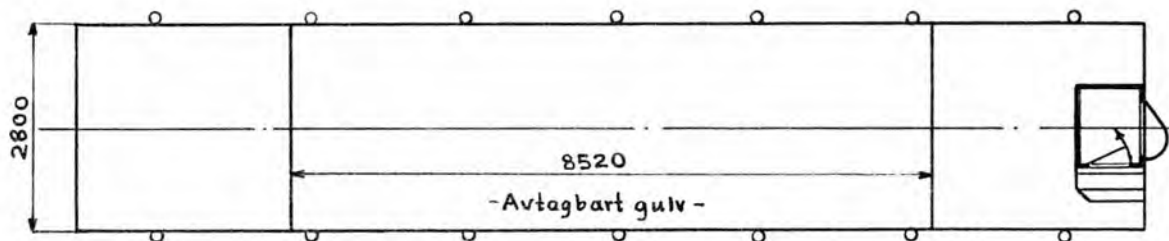
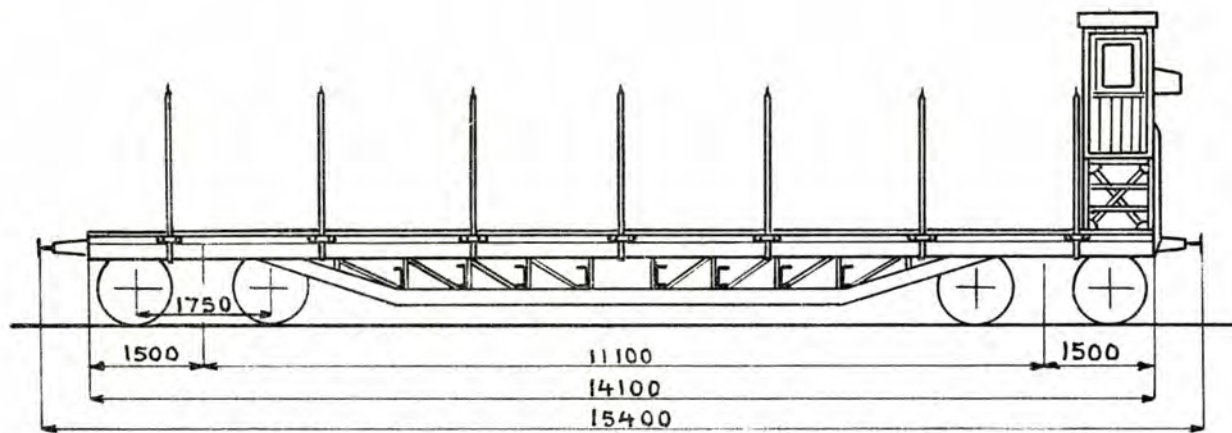
» lasteevne: 20,5 t

Spesial plattformvogn

Antall	Vogn nr.	Distrikt	Fabrikant	Bygge år	Hoved-tegning	Gulv-plate	Rum-inn-hold	Bremsar, opvarming, belysning m.v. Se side 6	Anm.
						m ²	m ³		
1	4380	Oslo	Skabo	1897	371 1/2	37,4		3	Boggiakselavstand 1600mm
1	15991	Drm.	"	1909	"	"		3	

1/2 Bremsarplattform efter tegn. 3788.

Tsfo 3
TYPE 1

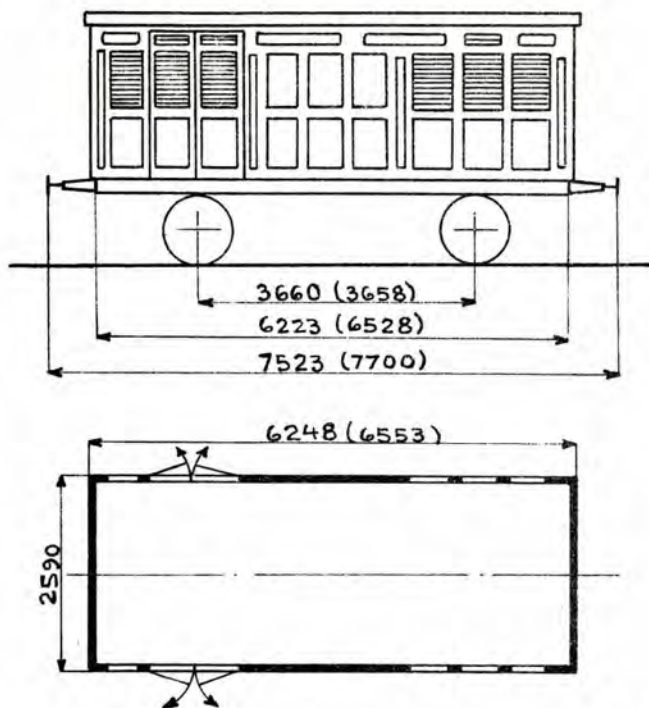


Omtrentl. egenvekt: 18,0 t.

» lasteevne: 28,5 t

Spesial plattformvogn

Antall	Vogn nr.	Distrikt	Fabrikant	Bygge år	Hoved-tegning	Gulv-plate	Rum-inn-hold	Bremses, opvarming, belysning m.v. Se side 6	Anm.
						m ²	m ³		
1	5405	Hmr.	Skabo	1921	2302	39,5		3.15	
1	5406	"	Strömmen	1922	"	"		3.15	
1	10934	Thm.	"	"	"	"		3	
1	15994	Drm.	"	1923	"	"		3	
1	15995	"	"	"	"	"		3	

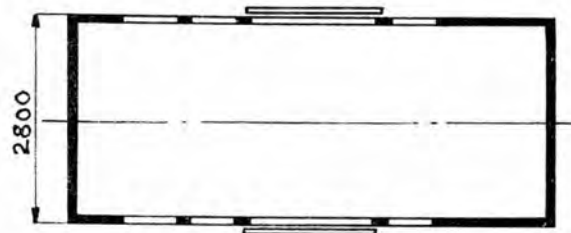
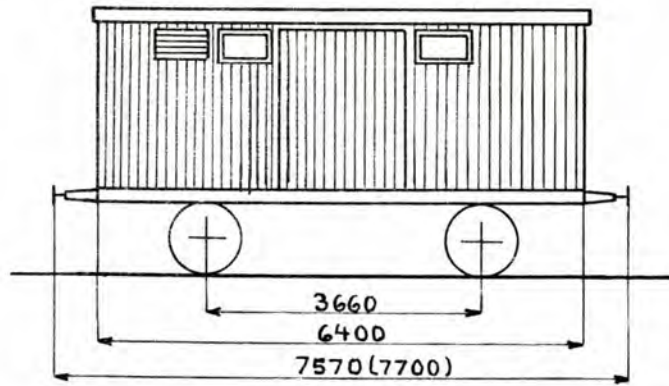


Omtrentl. egenvekt: 8,0 t.

» lasteevne:

Liktransportvogn

Antall	Vogn nr.	Distrikt	Fabrikant	Bygge år	Hoved- tegning	Gulv- flate	Rum- inn- hold	Bremses, opvarming, belysning m.v. Se side 6	Anm.
						m ²	m ³		
1	4959	Oslo	Atlas	{	Smålensb. 123			2.3.6.15	} Mål i () gjelder nr. 16592 og 16593.
1	4960	"	"		- " -			2.3.6.15	
1	16592	Drm.	"	{	Smålensb. 124			2.6	
1	16593	"	"		- " -			2.6	



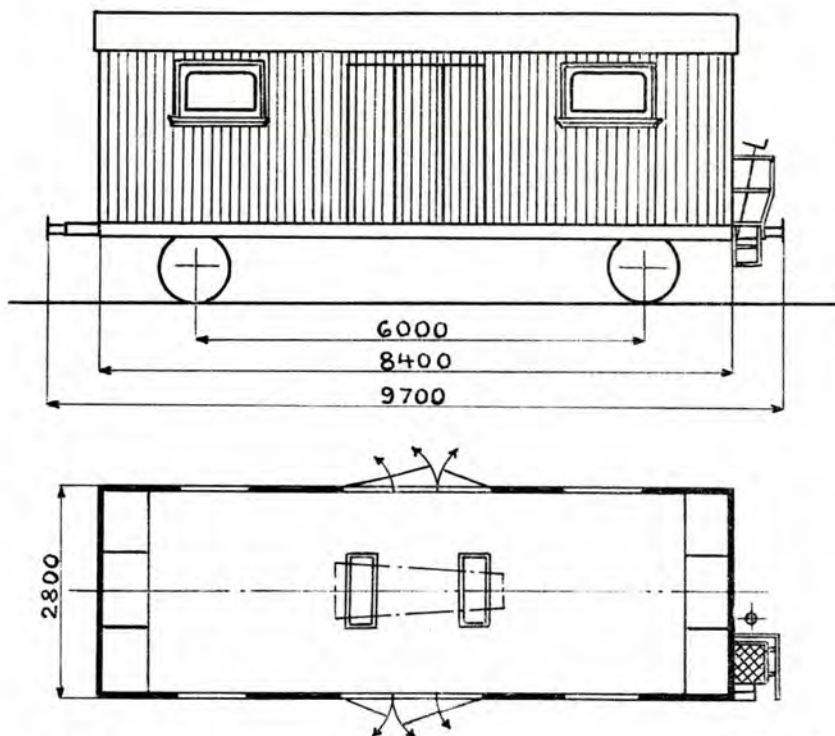
Omtrentl. egenvekt: 10,0t.

” lastevne:

Liktransportvogn

Antall	Vogn nr.	Distrikt	Fabrikant	Bygge år	Hoved-tegning	Gulv-plate	Rum-inn-hold	Bremses, opvarming, belysning m.v. Se side 6	Anm.
						m ²	m ³		
1	1242	Oslo	Hovedb. ^s verksted	1912	Ukjent			1. G. 15	
1	1243	"	" - "	"	"			1. G. 15	
1	10315	Thm.	Eidsfos	1910	376 [∩]			1. G. 21	

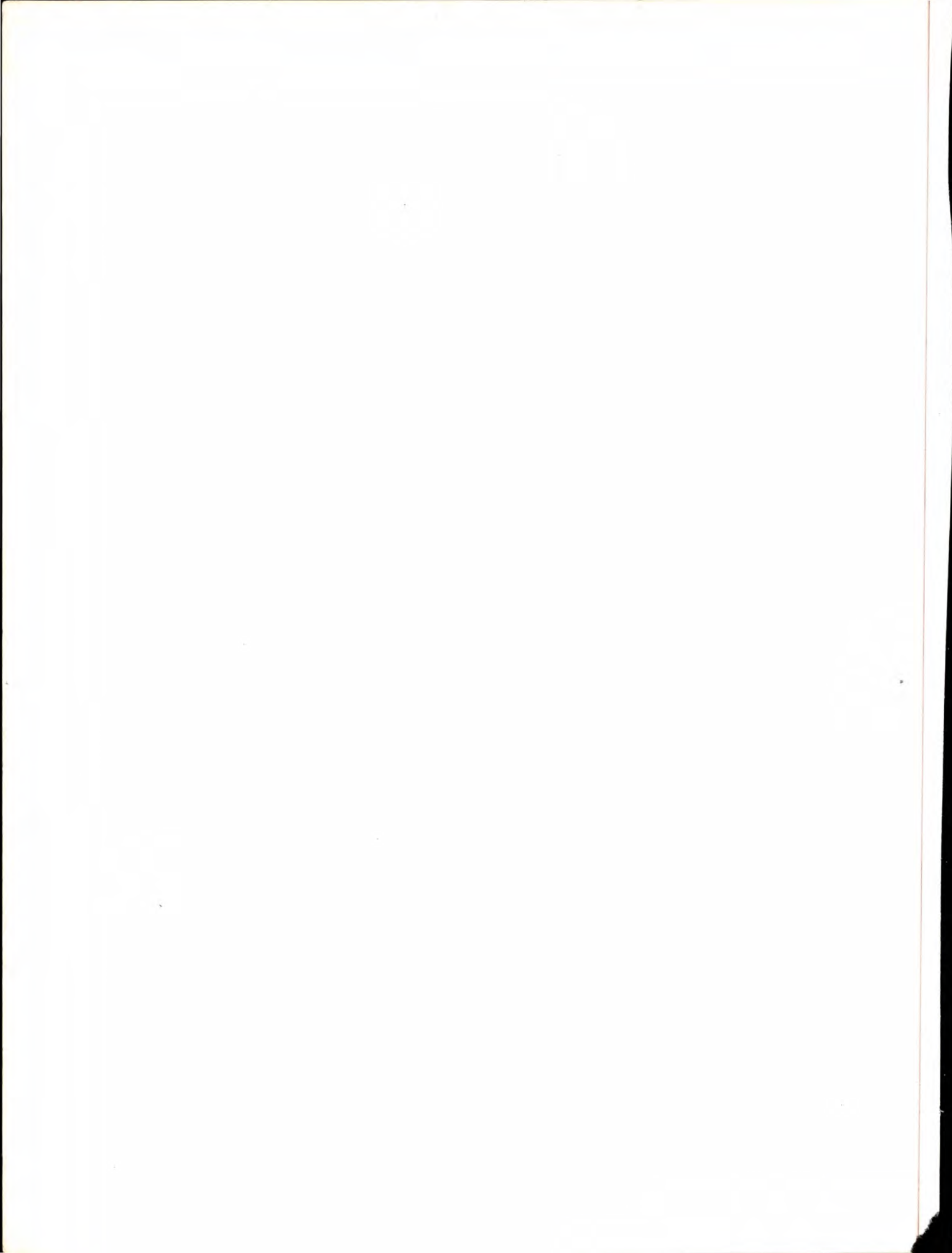
[∩] Med forandr. efter Thm. distr. tegn. 4701.

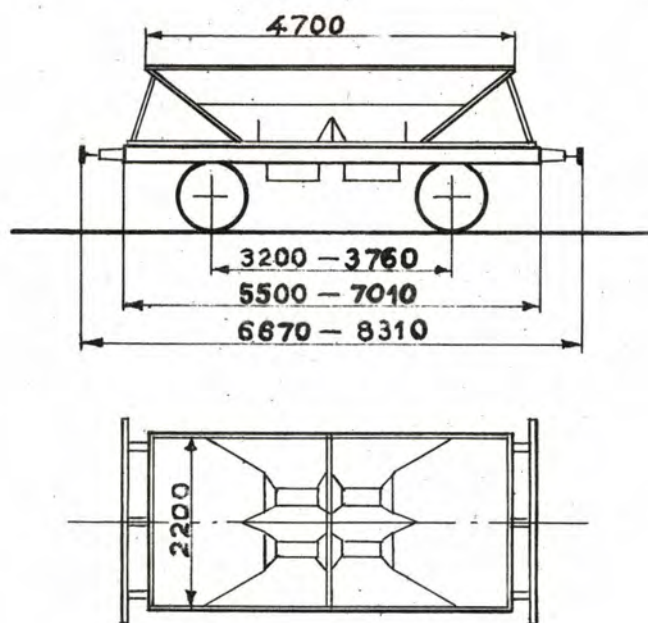


Omtrentl. egenvekt: 12,5 t.
(inkl. ballast.)
» lasteevne

Liktransportvogn

Antall	Vogn nr.	Distrikt	Fabrikant	Bygge år	Hoved-tegning	Gulv-plate	Rum-innhold	Bremses, opvarming, belysning m.v. Se side 6	Anm.
						m ²	m ³		
1	4961	Oslo	Eidsfos	1933	3380			1.3.6.15.20.24.35	





Omtrentl. egenvekt : 5,5 - 7,0 t.
lasteevne : 12 - 10, st.

Bunttömmingsvogn

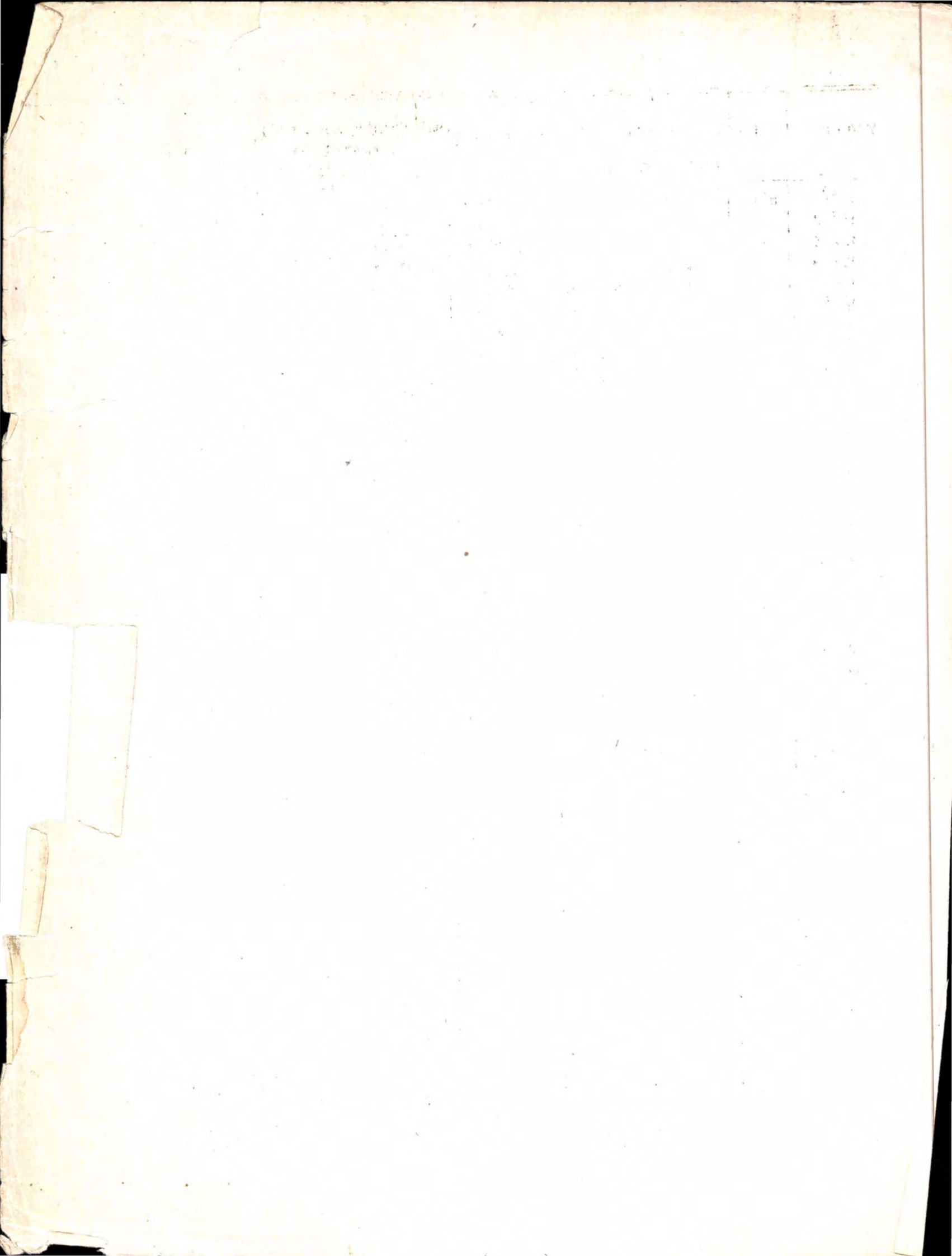
Vogn nr.	Distrikt	Fabrikant (oppri.)	Byggeår oppri./ombygget	Hovedtegning oppri./vognkasset.	Rom- innh. m ³	Bremser, oppvarming, belysning m.v. Se side 6	Anm.
16729	Drm.	Atlas	1876/1952	Ukjent / 6291	7,5	15. 21	
16752	"	"	" / "	" / 6439	"	15. 21	
16773	"	"	" / "	" / "	"	15. 21	
16724	"	Ukjent	ca.1880/ "	" / 6291	"	15. 21	
16745	"	Atlas	1877/ "	" / 6439	"	15. 21	
16731	"	Skabo	1889/ "	47 / 6291	"	15. 21	
16741	"	Strømmen	1890/ "	Ukjent / 6439	"	15. 21	
16753	"	"	" / "	" / "	"	15. 21	
16730	"	"	1891/ "	47 / 6291	"	15. 21	
16761	"	"	" / "	Ukjent / 6439	"	15. 21	
16728	"	"	1892/ "	47 / 6291	"	15. 21	
16742	"	"	" / 1951	3070 ² / 6439	"	15. 21	
16732	"	Kværner	1893/ "	" 0 / "	"	15. 21	
16743	"	"	" / "	" 0 / "	"	15. 21	
16760	"	Strømmen	1895/1952	Ukjent / "	"	15. 21	
16701	"	Skabo	1897/1951	376/tegn.Uten nr.	"	15. 21	
16726	"	Strømmen	" / 1952	400/6291	"	15. 21	
16739	"	"	" / "	Ukjent / 6439	"	15. 21	

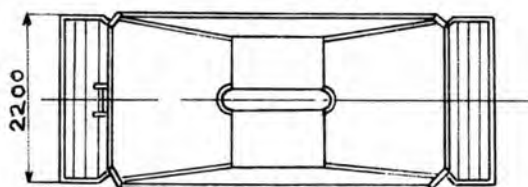
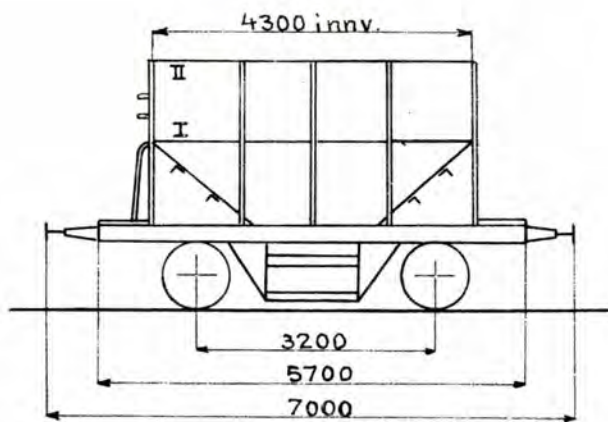
Ö₂
Type 1 (forts.)

Vogn nr.	Distrikt	Fabrikant (oppr.)	Byggeår oppr./ombygget	Hovedtegning oppr./vognkasset.	Rom- innh. m ²	Bremser, oppvarming, belysning m.v. Se side 6	Anm.
16744	Drm.	Strømmen	1897/1952	3070 ⁰ /6439	7,5	15. 21	
16749	"	"	" /1952	400 / "	"	15. 21	
16762	"	"	" / "	" / "	"	15. 21	
16765	"	"	" / "	" / "	"	15. 21	
16767	"	"	" / "	" / "	"	15. 21	
16733	"	Skabo	1898/1951	B 62 / "	"	15. 21	
16734	"	Strømmen	" / "	Ukjent / "	"	15. 21	
16747	"	"	" /1952	3070 ⁰ / "	"	15. 21	
16754	"	"	" / "	Ukjent / "	"	15. 21	
16766	"	"	" / "	400 / "	"	15. 21	
16771	"	"	" / "	" / "	"	15. 21	
16736	"	"	1899/1951	Ukjent / "	"	15. 21	
16737	"	Moss	" /1952	3070 ⁰ / "	"	15. 21	
16738	"	Strømmen	" / "	" / "	"	15. 21	
16740	"	"	" / "	Ukjent / "	"	15. 21	
16746	"	Moss	" / "	400 / "	"	15. 21	
16755	"	Strømmen	" / "	Ukjent / "	"	15. 21	
16756	"	"	" / "	" / "	"	15. 21	
16758	"	"	" / "	" / "	"	15. 21	
16763	"	Moss	" / "	400 / "	"	15. 21	
16764	"	Hovedb. ⁵ v.	" / "	Ukjent / "	"	15. 21	
16775	"	Strømmen	" / "	400 / "	"	15. 21	
16777	"	"	" / "	" / "	"	15. 21	
16762	"	"	" / "	" / "	"	15. 21	
16783	"	"	" / "	" / "	"	15. 21	
16727	"	Skabo	1900 / "	" / 6291	"	15. 21	
16735	"	"	" /1951	" / 6439	"	15. 21	
16748	"	Eidsfoss	" /1952	" / "	"	15. 21	
16751	"	Skabo	" / "	" / "	"	15. 21	
16757	"	Strømmen	" / "	" / "	"	15. 21	
16759	"	Skabo	" / "	" / "	"	15. 21	
16768	"	"	" / "	" / "	"	15. 21	
16769	"	"	" / "	" / "	"	15. 21	
16770	"	"	" / "	" / "	"	15. 21	
16772	"	Eidsfoss	" / "	" / "	"	15. 21	
16774	"	Skabo	" / "	" / "	"	15. 21	
16776	"	Strømmen	" / "	" / "	"	15. 21	
16778	"	Skabo	" / "	" / "	"	15. 21	
16779	"	"	" / "	" / "	"	15. 21	
16780	"	"	" / "	" / "	"	15. 21	
16781	"	Strømmen	" / "	" / "	"	15. 21	

*) Oppr. tegn.nr. 47, 400 eller 876, omb. 1928/35 etter tegn.nr. 3070

Vogn nr.	Distrikt	Fabrikant (oppr.)	Byggeår oppr./ombygget	Hovedløgning oppr./vognkasset.	Rom- innh. m ³	Bremser, oppvarming, belysning m.v. Se side 6	Anm.
16722	Drn.	Eidsfoss	1901/1952	400/6291	7,5	15. 21.	
16723	"	"	" / "	" / "	"	15. 21.	
16750	"	"	" / "	3070 ² /6439	"	15. 21.	
16725	"	Skabo	1902/ "	400/6291	"	15. 21.	
16705	"	"	1909/1950	1033/6293	"	15. 21.	
16706	"	"	" / "	" / "	"	15. 21.	
16707	"	"	" / "	" / "	"	15. 21.	
16708	"	"	" / "	" / "	"	15. 21.	
16709	"	"	" / "	" / "	"	15. 21.	
16710	"	"	" / "	" / "	"	15. 21.	
16711	"	"	" / "	" / "	"	15. 21.	
16712	"	"	" / "	" / "	"	15. 21.	
16713	"	"	" / "	" / "	"	15. 21.	
16714	"	"	" / "	" / "	"	15. 21.	
16715	"	"	" / "	" / "	"	15. 21.	
16716	"	"	" / "	" / "	"	15. 21.	
16717	"	"	" / "	" / "	"	15. 21.	
16718	"	"	" / "	" / "	"	15. 21.	
16719	"	"	" / "	" / "	"	15. 21.	
16720	"	"	" / "	" / "	"	15. 21.	
16721	"	"	" / "	" / "	"	15. 21.	
16702	"	"	1912/ "	" / "	"	15. 21.	
16703	"	"	" / "	" / "	"	15. 21.	
16704	"	"	" / "	" / "	"	15. 21.	





Omtrentl. egenvekt: 8,5 t.

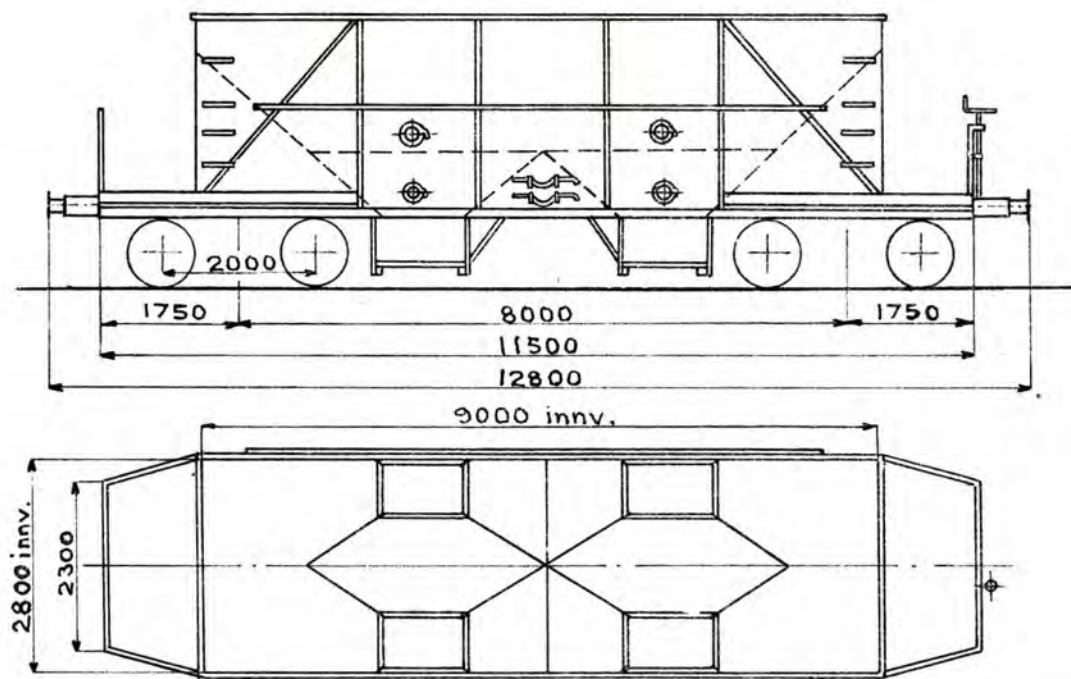
» lasteevne: 18,5 "

Kisvogn

Antall	Vogn nr.	Distrikt	Fabrikant	Bygge år	Hoved-tegning	Gulv-plate	Rum-innhold	Bremses, opvarming, belysning m.v. Se side 6	Anm.
						m ²	m ³		
28	17565-17592	Thm.	Strömmen	1923	2455		7,4 ¹⁾ 17,1 ²⁾	21	
12	17603-17614	"	Eidsfos	1929	"		---	21	

¹⁾ Ved lastemerke I.

²⁾ " " II.

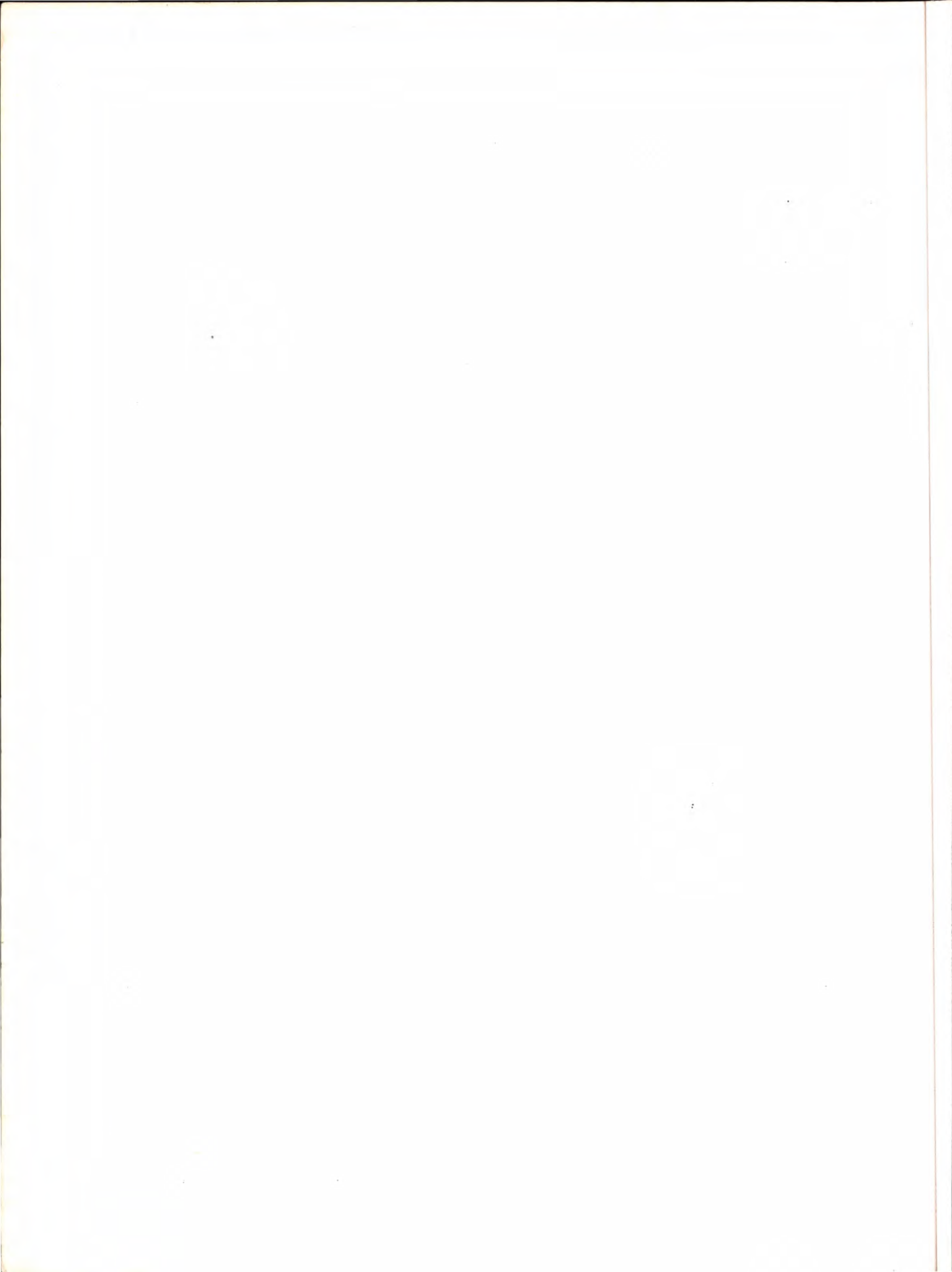


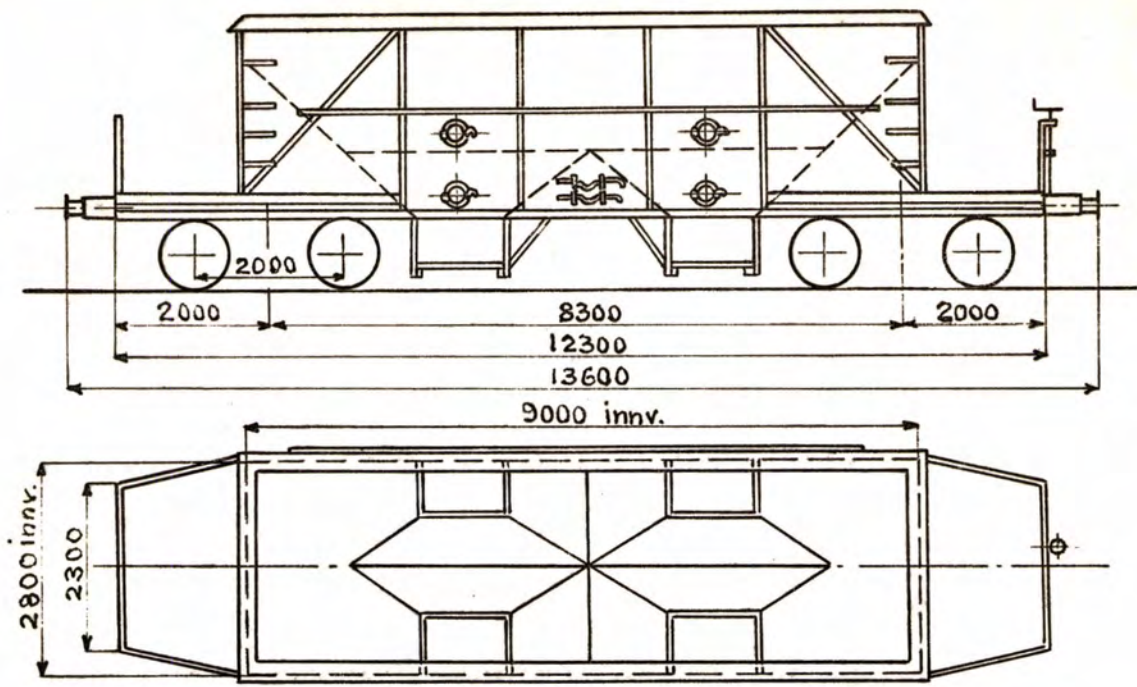
Omtrentl. egenvekt: 19,0 t.

» lasteevne: 40,0 t.

Bunttömningsvogn

Antall	Vogn nr.	Distrikt	Fabrikant	Bygge år	Hovedtegning	Gulvflate	Ruminnhold	Bremses, opvarming, belysning m.v. Se side 6	Anm.
						m ²	m ³		
1	16689	Drm.	Eidsfos	1933	3420		45,5	3	
1	16690	"	"	"	"		"	3	

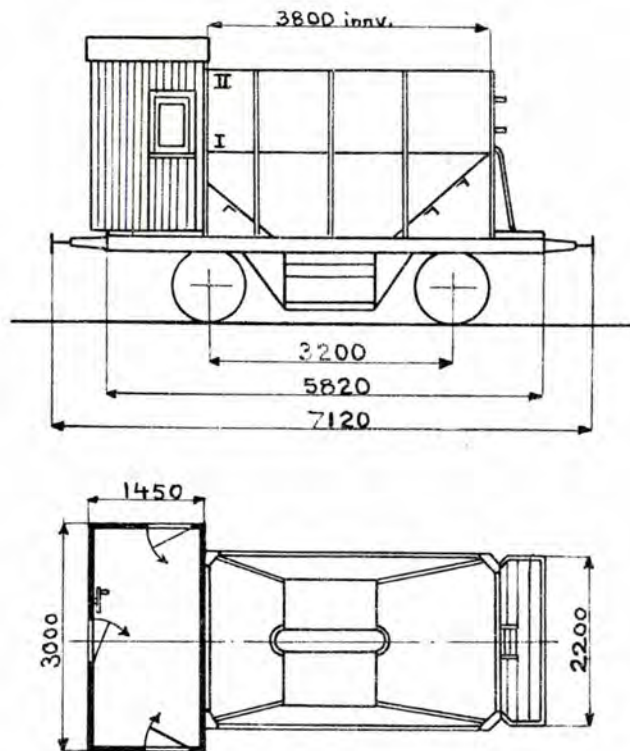




Omtrentl. egenvekt: 21,0 t.
" lastevne: 38,0 t

Bunntömningsvogn

Antall	Yogn nr.	Distrikt	Fabrikant	Bygge år	Hoved-tegning	Gulv-flate		Rum- inn- hold	Bremsar, opvarming, belysning m.v. Se side 6.	Anm.
						m ²	m ³			
1	74002	Oslo	Eidsfos	1940	4670		48,0	IH. 3		
1	74003	"	"	"	"		"	IH. 3		



Omtrentl. egenvekt: 10,0 t.

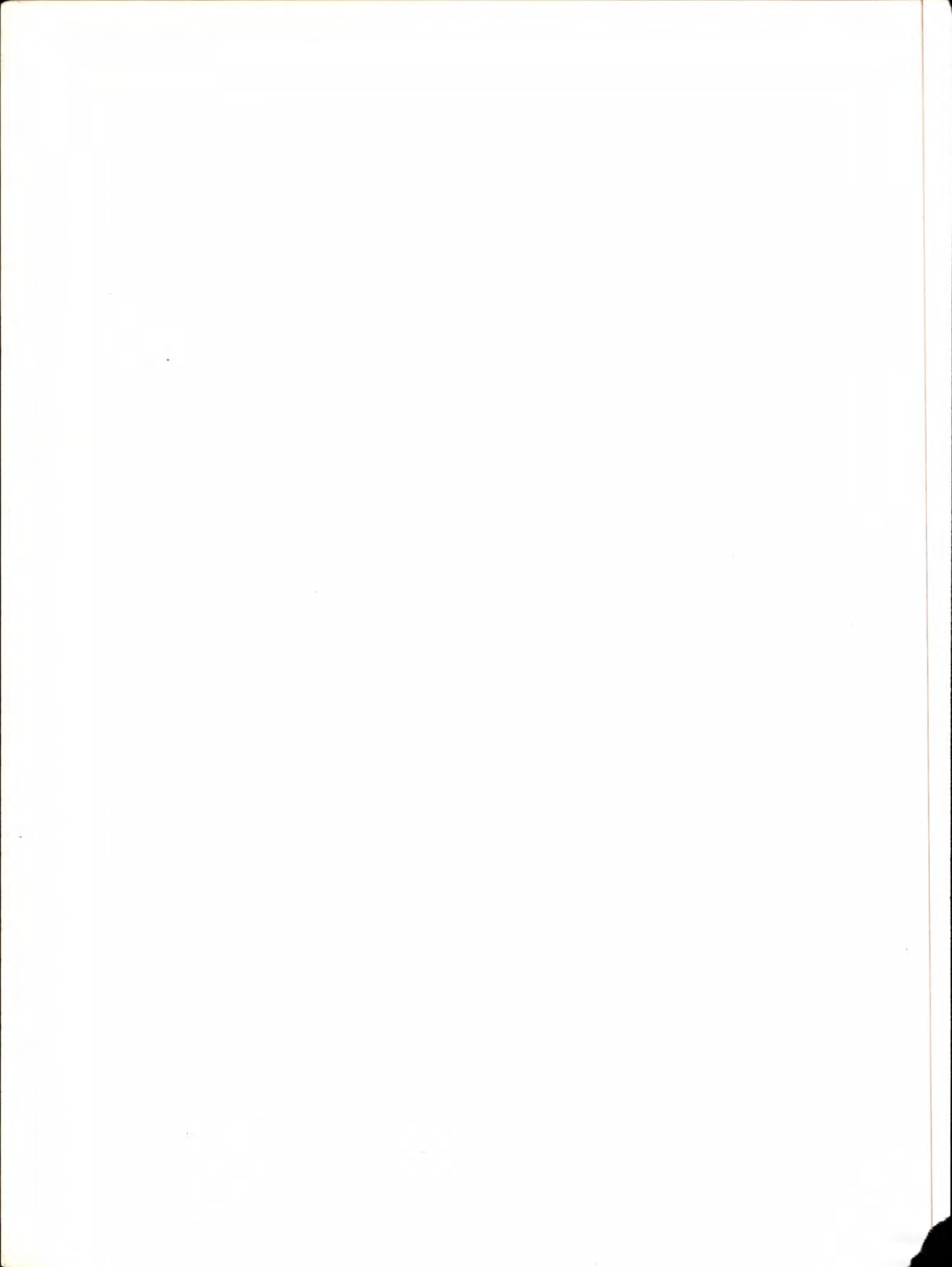
» lasteevne: 17,5 t

Kisvogn

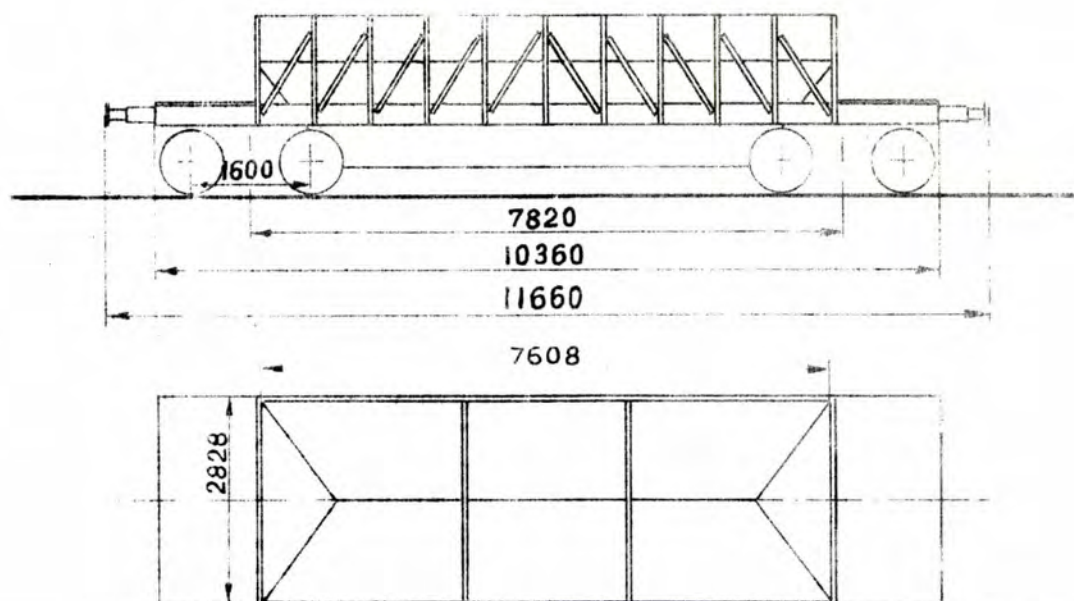
Antall	Vogn nr.	Distrikt	Fabrikant	Bygge år	Hoved-tegning	Gulv-plate	Rum-innhold	Bremses, opvarming, belysning m.v. Se side 6	Anm.
						m ²	m ³		
7	17593-17599	Thm.	Strømmen	1923	2510		7,2 ¹⁾ 15,8 ²⁾	3.8	
3	17600-17602	"	Eidsfos	1929	"		"	3.8	

¹⁾ Ved lastemerke I

²⁾ " " " " II



Ö04
TYPE 3



Omtrentl. egenvekt: 16,0 t.
lasteevne: 40,0 t.

Bunntömningsvogn

Antall	Vogn nr.	Distrikt	Fabrikant	Bygge- år	Hoved- tegning	Gulv- flate	Rum- inn- hold	Bremses, oppvarming belysning m.v. Se side 6.	Anm.
						m ²	m ³		
10	12001 - 12010	Thm	Skabo	1906	Se anm.		25,0	1 W	Skabo $\frac{1}{160/2}$ og $\frac{1}{160/4A}$

Erstatning for

ILLUSTRERT FORTEGNELSE OVER GODSVOGNER, BREDT SPOR, AV 1ste JAN. ~~1936~~ 1936

TILLEGG II

Forandringer i tiden 1.juli 1942-30.juni 1943

Hertil gjelder også alle tidligere tillegg.

Utarbeidet på grunnlag av NSB Fortegnelse over person og godsvogner av 1.april 1942, tillegg Ia.

Nye vogner:

G4-1	40649-40657	Oslo distr.	Str. 1942	G4-1	40781-40812	Drm. distr.	Edf. 1943
"	40668-40699	"	Skb. 1941	"	40853-40862	Hmr. distr.	Skb. 1943
"	40700-40707	"	Skb. 1942	"	40963-40991	Thm. distr.	Str. 1942
"	40708-40722	"	Skb. 1943	"	40992-41036	"	Str. 1943
"	40768-40780	Drm. distr.	Edf. 1942				

Ombygginger:

Gfo2-1	3400	omb.	til	Fo-4	3046
Gfo2	10235	"	"	Ro	
Gfo2	10241	"	"	Ro	
H3-1	5529	"	"	Hvf3-1,	ny vognkasse
H3-1	5559	"	"	Hvf3-1,	ny vognkasse
H3-1	10055	"	"	Hvf3-1,	ny vognkasse
H3-1	10057	"	"	Hvf3-1,	ny vognkasse
Hv3-1	14967	"	"	Hvf3-1,	ny vognkasse
Hv3-1	20263	"	"	Hvf3-1,	ny vognkasse
Gv3	3133	"	"	L3	1942
G2	5083	"	"	L2	1942
N1	5270	"	"	L1 eller L2	(fortg. inkonsekvent)
Ls3	6747	"	"	L3	
Ls3	6763	"	"	L3	
N1	2291	"	"	Rc	
N1	2438	"	"	Rc	
N1	3633	"	"	Rs,	ishövel
N1	6408	"	"	Rc	
N2	6692	"	"	Rs,	ishövel
N1	16167	"	"	M1	
To1	17164	"	"	Tso1	

Følgende 50 N2 vogner er ombygget til Lt2-3 vogner:

4197, 4212, 4214, 4216, 4218-19, 4223-28, 5322, 6427, 6429-30, 6432-34, 6438, 6443-46, 6449, 6457, 6459, 7550, 7555, 7557, 7566-7569, 7574, 9533, 10853, 55, 10858, 10864, 10866, 10873, 10877-79, 10890, 10896-97, 10901.

Overføringer:

L4 32458 er overført RjB

Utrangerte vogner:

L1 1538, N1 1657, 1843, 1901, G1 2033, N2 2412, N1 2459, 2878, G2 3286, Lt2 4202, T4 4752 (60121), N2 5725, 5727, 6494, G1 7062, N1 7529, L1 8306, G1 8407, Hv3 14946, L1 15654, L3 15948, T13 17145.

Internvogner:

Re 800 tidl. Zu, ny

Re 2115 tidl. F, ny

2 L4-vogner gikk med samme nr. 32575. En av dem har fått nytt nr. 32668.

Utarbeidet 1.8.1973, SES

G-1	= utr.	L-1	= L1-1	Ms-1	= Ms3-1	S-3	= S1-2, S1-1
G-2	= G1-1	L-2	= utr.	Ms-2	= Ms3-1	Sf-1	= Sf1-1
G-3	= G1-1	L-3	= utr.	Ms-3	= Ms3-2	Sf-2	= Sf1-2
G-4	= G1-2	L-4	= utr.	Msf-1	= Msf3-1	Sf-3	= Sf3-1
G-5	= G2-1, G3-1	L-5	= L1-2	Msf-2	= Msf3-2	Sf-4	= Sf3-2
G-6	= G3-2	L-6	= L1-3	MK-1	= utr.	T-1	= T1-1
G-7	= G1-3	L-7	= L3-1	MK-2	= utr.	T-2	= T3-1
G-8	= G1-4	L-8	= L1-2	MK-3	= MK1-1	T-3	= T3-2
G-9	= utr.	L-9	= L3-1	MK-4	= MK3-1	T-4	= T4-1
G-10	= G3-1, G2-1	L-10	= L3-2	N-1	= N1-1	To-1	= To1-1
G-11	= G4-1	L-11	= L4-1	N-2	= N1-1	To-2	= To4-1
G-12	= G1-5	L-12	= L3-3	N-3	= utr.	T1-1	= T13-1
Gf-1	= Gf2-1, Gf3-1	L-13	= L1-4	N-4	= N1-1	T1-2	= T13-1
Gf-2	= Gf3-2	L-14	= utr.	N-5	= N1-2	T1o-1	= T1o3-1
Gf-3	= Gf2-2, Gf3-3	L-15	= L1-2	N-6	= N3-1	T1f-1	= T1f3-1
Gf-4	= Gf2-3	L-16	= L4-1	N-7	= N2-1	T1fo-1	= T1fo3-1
Gf-5	= Gf3-4	L-17	= L4-2	N-8	= N2-2	Trfo-1	= Trfo4-1
Gf-6	= R-vogner	L-18	= Lf-1	N-9	= N3-2	Isfo-1	= omb. Iso2-1
Gf-7	= Gf2-4	L-19	= Lf-2	N-10	= N1-2	Isto-2	= Iso3-1
Gfo-1	= Gfo2-1	L-20	= Lf-3	N-11	= N1-2	Z1-3	= Z1-2
Gfo-2	= Gfo2-2	Lf-1	= Lg-1	N-12	= N2-3	Z1-4	= Z1-1
Gfo-3	= Gfo2-1, Gfo2-3	Lf-2	= Lg-2	N-13	= N2-3	Z1-5	= Z1-1
Gfo-4	= Gfo2-2	Lf-3	= Lg-3	N-14	= No-1	Z1-6	= Z1-2
Gfo-5	= Gfo2-1	Lg-1	= Lg-4	N-15	= Nf-1	Z1-7	= Z1-3
G1-1	= utr.	Lg-2	= Lg-5	N-16	= Nf-2	Ø-1	= Ø4-1
G1-2	= utr.	Lg-3	= Lg-6	No-1	= Nf-3	Øo-1	= Øo4-1
G1-3	= 5 se Z1	Lg-4	= Lk-1	Nf-1	= Nf-4	Øf-1	= Øf4-1
Gv-1	= omb. Gv2-1,	Lg-5	= Lk-2	Nf-2	= Nf-5		
Gv-2	= Gv2-1, Gv3-1	Lg-6	= Lk-3	Nf-3	= Nf-6		
H-1	= H3-1	Lk-1	= Lk-4	Nf-4	= Nf-1		
Hf-1	= Hf3-1	Lk-2	= Lk-5	Nf-5	= Nf-2		
Hf-2	= Hf3-1	Lk-3	= LM-1	Nf-6	= Nf-3		
Hv-1	= Hv1-1	Lk-4	= omb. Lk3-2	Nfo-1	= Nfo1-1		
Hv-2	= Hv1-1	Lk-5	= Ls-1	Nfo-2	= Nfo2-1		
Hv-3	= Hv2-1	LM-1	= Ls-3-1	NP-1	= NP2-1		
Hv-4	= Hv1-2	Ls-1	= Lt-1	NP-2	= NP3-1		
Hv-5	= Hv1-1	Lt-1	= Lt-2	NPo-1	= NPo3-1		
Hv-6	= Hv3-1	Lt-2	= M-1	NPo-2	= NPo3-1		
Hvf-1	= Hvf3-1	M-1	= M-2	NPfo-1	= omb. NPo3-2 og To3-1		
Hvf-2	= Hvf4-1	M-2	= utr.	Q1-1	= Q2-1		
K-1	= K1-1	M-3	= M1-2	Q1-2	= Q2-2		
K-2	= utr.	M-4	= M1-1	Q1-3	= Q2-3		
K-3	= K1-2	M-5	= M1-1	Q2-1	= utr.		
K-4	= K1-2	M-6	= M1-2	Q4-1	= Q3-1		
K-5	= K2-1	M-7	= M2-1	Qf1-1	= Qf3-1		
K-6	= utr.	M-8	= M1-3	S-1	= utr.		
K-7	= K1-2	Mf-1	= Mf1-1	S-3	= S1-1		
K-8	= K1-3	Mf-2	= Mf1-1				
Ko-1	= omb. To1-1	Mf-3	= Mf1-2				
		Mf-4	= Mf2-1				

NORGES STATSBANER

Tillegg I

til illustrert fortegnelse over godsvogner, bredt spor, av 1ste januar 1936.

(Tilkomne og utrangerte vogner samt forandringer i tiden 1ste januar 1936—30te juni 1937).

Nye vogner:

Litra	Type	Antall	Vogn nr.	Distrikt	Fabrikant	Bygge- år	Gulv-	Rum-	Brems- opvarmning, belysning m. v. se side 6	Ho- ved- tegn.	Omtrentlig		Anm.				
							flate	innh.			Egen- vekt	Laste- evne					
							m. ²	m ³			tonn	tonn					
G 4	1	25	17279—17303	Oslo	Strømmen	1936	27,7	58,0	1H. 2. 3. 6. 24. 35	3735+ 3570	11,5	17,5					
		25	17304—17328	»	Eidsfos	»	»	»	1H. 2. 3. 6. 24. 35					»	»	»	
		25	20314—20338	Drm.	Strømmen	1937	»	»	»					1H. 2. 3. 6. 24. 35	»	»	»
		10	17615—17624	Thm.	»	»	»	»	»					1H. 2. 3. 6. 24. 35	»	»	»
L 4	3	25	4134—4158	Oslo	Skabo	1936	21,8	24,0	15. 21. 24	3989	8,4	20,0					
		20	20274—20293	Drm.	Eidsfos	1937	»	»	1H. 21. 24					»	»	»	
T 4	1	1	4299	Oslo	Skabo	1936			1. 3. 15. 24	3770+ 4081	13,8	16,0	{ Brems- erplattform. Innredn. for trans- port av levende fisk.				
To 4	1	15	4936—4950	»	Strømmen	»	45,0		3. 15	3400	17,8	40,0					
Tl 4	1	10	4249—4258	»	Skabo	»	28,7	22,8	5. 21. 24	3770+ 4066	9,2	20,0					
		30	4259—4288	»	»	1937	»	»	15. 21. 24	»	»	»					
G 2	1	5	6130—6134	»	»	»			21	376*)	6,6	11,0					
		1	6135	»	»	»			2. 6. 8. 21								
		2	6136, 6137	»	»	»			21								
		2	6138, 6139	»	»	»			2. 21								
		1	6140	»	»	»			2. 6. 21								
Gf 2	1	1	6141	»	»	1902	16,0	34,0	2. 3. 6	376+ 387	7,2	11,0	Vogner overtatt med Valdresbanen.				
M 1	1	1	6142	»	»	»	15,9	5,0	3	400	5,4	11,0	*) med akselavstand 3500 mm.				
		7	6143—6149	»	»	»	»	»	21								
MK 1	1	2	6150, 6151	»	»	»	10,6	4,9	21	245	5,2	11,0	M nr. 6142 og N » 6152—6154 har bremsersete.				
N 1	1	3	6152—6154	»	»	»	15,9	5,0	3	400*)	5,4	11,0					
		15	6155—6169	»	»	»	»	»	21								

Ombyggede vogner:

Litra	Type	Antall	Vogn nr.	Distrikt	Ombygget ved	År	Gulv-	Rum-	Brems- opvarmning, belysning m. v. se side 6	Ho- ved- tegn.	Omtrentlig		Anm.	
							flate	innh.			Egen- vekt	Laste- evne		
							m. ²	m ³			tonn	tonn		
G 3	3	3	31002, 31004, 31007	Oslo	Oslo distr.	1936-37	18,6	39,7	3. 24		9,0	14,0	Tidl. Gf 3, type 4.	
H 3	1	5	5528, 5533, 5544, 5546, 5548											Hmr.
		3	5558, 5559, 5561	»	»	»	»	»	1. 1KK. 3. 6. 35					
		3	10341, 10043, 10047	Thm.	»	»	»	»	»	1. 1KK. 3. 6. 35				



Litra	Type	Antall	Vogn nr.	Distrikt	Ombygget ved	År	Gulv-	Rum-	Bremses, oppvarmning, belysning m. v. se side 6	Ho-ved-tegn.	Omtrentlig		Anm.												
							flate m ²	innh. m ³			Egen-vekt tonn	Laste-vevne tonn													
H 3	1	2	14963, 14981,	Brg. Oslo	Hmr. distr.	1936-37	13,0	26,6	1. Ikk. 3. 6. 35	1218			Tidl. Hf 3, type 1.												
		1	3434			»	»	12,8	26,2					1. Ikk. 3. 6. 35	1504										
Hv 3	1	8	5571, 5577, 5578, 5579, 5584, 5593, 5597, 5599	»	»	»	»	»	1. Ikk. 3. 6. 7. 35	»			Tidl. Hf 3, type 1.												
		1	15453											Drm. Oslo	»	»	»	13,0	26,6	1. 3. 6. 7. 15. 35	1218				
		2	3438, 3450																						
		2	3444, 3457											»	Oslo distr.	»	»	»	»	1. Ikk. 3. 6. 8. 35					
		1	3459																						
		1	3546											»	Drm. distr.	»	»	»	»	1. 3. 6. 7. 15. 35					
		4	8434, 8437, 8440, 8500																						
		1	10064											Hmr. Thm. Oslo	Hmr. distr.	»	»	»	»	1. 3. 6. 7. 15. 35					
		1	3428																						
		1	6972											»	»	»	»	»	»	1. 3. 6. 7. 15. 35	1504				
		1	20768																						
		1	6905											Drm. Oslo	»	»	»	»	»	1. 3. 6. 7. 15. 35					
		1	10069																						
		1	14941											Hmr. Thm. Brg.	Hmr. distr.	»	»	»	»	1. 3. 6. 7. 15. 35					
		1	14949																						
		1	20263											Drm. Hmr.	»	»	»	»	»	1. 3. 6. 7. 15. 35					
		3	5572, 5591, 5598																						
		Hvf 3	1											19	5573—5576 5580—5583 5585—5590 5592 5594—5596 5600	Hmr.	»	»	»	»	1. Ikk. 3. 6. 7. 35	»			Tidl. Hf 3, type 1.
														L 3	5										
3	6749, 6759, 6764, 6765																								
3	15796																								
3	15800, 15803																								
6	4	11901, 11906, 11923, 11932	Oslo	Oslo distr.	»	21,1	27,5	2. 6. 21	ukjent	8,0	15,0	Tidl. T 3, type 2.													
L 4	2	1											11199	»	Thm. distr.	»	18,4	18,4	3. 24				Tidl. Lf 4, type 1.		
		3	11394, 32302, 32600																						
		1	32142	Drm. Thm.	»	»	»	»	»	3. 24															
		1	32475																						
		1	32588	Brg.	»	»	»	»	»	3. 24															
Lk 1	1	10	15685, 15687—15695								Drm.	Eidsfos	1936	13,0	13,0	21	616 + 4181	6,4	11,0	Tidl. L 1, type 2.					
		Lt 2	3	28	4179—4183, 4185—4193, 4195, 4196, 4198—4209	Oslo	Skabo	1936-37	18,9	45,7											21	815 + 3858	7,0	10,0	Tidl. N 2, type 1.
Tl 3	1			1	6826						»	Drm. distr.	»	21,3	17,0	3				Tidl. Tlf 3, type 1.					
				1	10944																				
				3	10951, 10956, 10958																				
		2	6884, 6885																						
		1	6887	Drm.	Drm. distr.	»	»	»	»	3															
1	16492																								
Tlo 3	1	1	4926	Oslo	»	1935	36,4	32,8	3	2895 + 2896	17,0	29,0	Tidl. Tlfo 3, type 1.												

Utrangerte vogner:

Litra	Type	Antall	Vogn nr.	Distrikt	Anm.	Litra	Type	Antall	Vogn nr.	Distrikt	Anm.
G 1	1	1	2051	Oslo		N 1	1	24	1656, 2262		
		1	5071	Hmr.					2459, 2478		
		1	15109	Drm.					2483, 2486		
	2	9	1115, 1126	Oslo					2550, 2552		
			1132, 1133						2553, 2556		
			2040, 2095						2562, 2570		
			2098, 2100						2602, 2610		
			7055						2621, 2632		
	9	8051, 8061	Hmr.	2641, 2651							
		8063, 8069		2654, 2659							
		8070, 8071		2669, 2879							
8074, 8080		2889, 4078									
3	1	8081	Drm.	5266, 5269							
	1	15338		5288, 5299							
4	2	1098, 1099	Oslo	6311, 6343							
				7524, 7527							
G 2	1	10	1168, 1176	Oslo	7532, 7542						
			2926, 2930		7546						
			2931, 3180		7	8505, 8511					
			3189, 3203			8512, 8531					
			3236, 3303			8544, 8603					
			6		8090, 8091	Hmr.	8604				
					8095, 8100		1	10809			
	8102, 8122	13		16060, 16080							
	2	10301, 10306	Thm.	16112, 16117							
				16188, 16205							
G 3	1	1	3157	Oslo	16219, 16229						
						16296, 16301					
Gf 2	1	3	8118, 8120	Hmr.	16303, 16305						
			8142		16309						
	2	1	10159	Thm.	1699, 1701						
			14065		1766, 1768						
Gvf 2	1	2	8106, 8108	Hmr.	1790, 1813						
					1848, 1862						
Hv 1	1	1	3483	Oslo	1873, 1897						
			8469, 8480		1899, 1939						
Hv 2	1	1	2123	Oslo	2	10833, 10844					
					4	11606, 11658					
Hvf 3	1	1	10066	Thm.	11666, 11670						
L 1	1	2	1544, 2334	Oslo	N 2	1	1	5315	Hmr		
		2	5112, 5122					10863, 10867		Thm	
	4	15661, 15663	Drm.	1				11763		Oslo	
		15686, 15698									
	4	15	23387, 23388	T.P.B.	Nf 1	1	1	6417	Oslo		
			23390, 23392								
			23393, 23394								
			23397—23399								
			23406—23410								
			23423								
Lg 1	1	3	11433, 11451	Oslo	Q 3	1	8	23391, 23396	T.P.B.		
			11455					23424—23427			
Lk 1	1	2	3734, 3769	Oslo	S 1	1	1	8458	Hmr		
								1990		Oslo	
M 1	1	6	2499, 2539	Oslo	Sf 3	1	1	4522	Oslo		
			3809, 3810								
			3813, 3965		Zl	3	1	4961			

Forandringer, rettelser og tilføielser:

Litra	Type	Antall	Vogn nr.	Distrikt	Fabrikant	Bygge år	Gulv-	Rum-	Bremses, opvarmning, belysning m. v. se side 6	Ho- ved- tegn.	Omtrentlig		Anm.	
							flate m. ²	innh. m. ³			egen- vekt tonn	laste- evne tonn		
G 1	1	2	15081, 15177	Drm.									Omb. til Rl, Oslo	
		1	2054	Oslo									» » »	
	2	3	1158	»									» » »	
			2050, 2103	»									» » »	
	4	1	1036	»									» » »	
G 3	1	3	23077—23079	T.P.B.									Overført til Drm.	
G 4	1	5	15421, 15423	} Drm.					2. 6. 21. 24. 35. 40					
			15427, 15438							1. 3. 6. 24. 35. 40				
			15439							1KK. 2. 3. 6. 24. 35				
		1	15479							1H. 2. 3. 6. 24. 35				
		20	17184—17203		Oslo					1H. 2. 3. 6. 24. 35				
		25	17204—17228	»										
		75	17254—17328	»										
Gf 2	1		Samtl. vogner										{ Aatall mann 40. Antall hester 8.	
	3	1	6261	Oslo					3. 8. 13. 15				Omb. til R.	
	4	1	11101	»										
Gf 3	1	1	6277	»					2. 3. 5. 15					
	3	1	23065	T.P.B.					3. 15. 40					
		7	23068—23074	»									Overført til Drm.	
Gfo 2	1	2	6201, 6202	Oslo		1905								
		1	6204	»		»							Ballast: { v.v. 27,0 t. Last 8,0 »	
		1	14107	Brg.									» { v.v. 23,0 » Last 12,0 »	
		4	6205, 6207	} Oslo									» { v.v. 27,0 » Last 8,0 »	
			6209, 6210										» { v.v. 30,0 » Last 5,0 »	
		1	15253	Drm.			25,8	56,8					Grunnriss 2.	
		2	15254, 15256	»			»	»					Ballast: { v.v. 30,0 t. Last 5,0 » Grunnriss 2.	
		1	15257	»			»	»					I k k e Drm. Grunnriss 2.	
		2	10195, 10196	Thm.										
		2	20764, 20765	Drm.			»	»						
		1	23080	T.P.B.			»	»						
	2	3	5713—5715	Thm.			27,1	57,6						
		1	14128	Brg.			»	»						
		1	14129	»			»	»					Ballast: { v.v. 27,0 t. Last 8,0 »	
		1	14130	»			»	»					» { v.v. 27,0 » Last 8,0 »	
		1	14131	»			28,4	60,4						
		2	14132, 14133	»			»	»						
		2	14134, 14135	»			27,1	57,6					Grunnriss 2.	
Gv 1	1	2	15123, 15144	Drm.									Omb. til Rl.	
Gvf 2	1	1	8107	Hmr.									» » Re.	
H 3	1	1	5556	»					1. 1KK. 3. 6. 35					
		1	5557	»			13,0	26,6						
Hv 3	1	2	23064, 23081	T.P.B.					1. 3. 6. 7. 15. 35. 40					
Hvf 4	1	5	20795—29799	Drm.					1. 1KK. 3. 6. 7. 20. 24. 35. 40					
K 1	1		samtl. vogner								5,0			
L 4	1	2	11170, 32296	Oslo					1H. 21. 24					
		1	32400	»					21. 24					
		1	32458	Drm.					1H. 21. 24					
		1	32488	Thm.					1H. 21. 24					
		1	32603	Oslo					21. 24					

Litra	Type	Antall	Vogn nr.	Distrikt	Fabrikant	Bygge- år	Gulv- flate	Rum- innh.	Brems- opvarmning, belysning m. v. se side 6	Ho- ved- tegn.	Omtrentlig		Anm.
							m. ²	m. ³			egen- vegt tonn	laste- evne tonn	
Lf 4	1	2	11200, 11390	Oslo					1H. 3. 24				
		2	11395, 11396	"					1H. 3. 24				
		1	32364	"					1H. 3. 24				
		1	32450	Drm.					1H. 3. 24				
		2	32555, 32565	Brg.					1H. 3. 24				
		2	32569, 32570	"					1H. 3. 24				
		1	32581	"					1Hi 3. 24				
		2	32598, 32627	Oslo					1H. 3. 24				
		2	32628, 32639	"					1H. 3. 24				
		1	32648	"					1H. 3. 24				
Lg 1	1	1	9801	Brg.									} Dører i sidevegger istedetfor luker.
		2	9804, 9805	"									
Mf 1	1	1	2397	Oslo	Oslo distr.	1904	15,1	4,7	3	678	6,0	11,0	} Tidl. Rs. Gått til- bake til trafikken.
Mf 2	1	1	23479	Drm.									Omb. til Rs.
N 1	1	1	16068	"	Strommen	1899	15,9	5,0	21				} Tidl. Rs. Gått til- bake til trafikken. Omb. til Rl.
		2	1658	Oslo									
Nf 2	2	1	2706	"									" " Rs., Drm.
NP 2	1		Samtl. vogner							815 + 897			
To 1	1	5	2781—2785	Oslo			26,2	3,1	21	240	10,8	23,0	} Ennu ikke ombygget fra litra Ko.
		4	4381—4384	"			"	"	21	"	"	"	
To 4	1	1	16650	Drm.					3. 15				
		15	4936—4950	Oslo					3. 15				
Tlf 3	1	1	10927	Thm.									Tank for kreosotolje.
Trfo 4	1	1	16505	Drm.					3. 15				
Zl	1	2	4959, 4960	Oslo							12,5 *)		} *) Inkl. ballast.
		2	1242, 1243	"							13,5 *)		

Nye typer:
L 3, type 6.

Maskindirektørens kontor,
Oslo, Iste juli 1937.



NORGES STATS BANER

Tillegg Ia

til illustrert fortegnelse over godsvogner, bredt spor, av 1ste januar 1936.

(Tilkomne og utrangerte vogner samt forandringer i tiden 1ste juli 1937—30te juni 1938).

Nye vogner:

Litra	Type	Antall	Vogn nr.	Distrikt	Fabrikant	Bygge- år	Gulv-	Rum-	Brems- opvarming, belysning m. v. se side 6	Ho- ved- tegn.	Omtrentlig		Anm.	
							flate	innh.			Egen- vekt	Laste- evne		
							m. ²	m. ³			tonn	tonn		
G 4	1	30	17625—17654	Thm.	Strømmen	1937	27,7	58,0	1H. 2. 3. 6. 24. 35	3735+	11,5	17,5		
		12	20399—20410	Drm.	Eidsfos	»	»	»	1H. 2. 3. 6. 24. 35	4081				»
		13	20411—20423	»	»	1938	»	»	1H. 2. 3. 6. 24. 35	»				»
		25	20851—20875	Krs.	Strømmen	»	»	»	1H. 2. 3. 6. 24. 35	»				»
		15	20374—20388	Drm.	»	»	»	»	1H. 2. 3. 6. 24. 35	»				»
		11	17329—17339	Oslo	Eidsfos	»	»	»	1H. 2. 3. 6. 24. 25	»	»	»		
L 4	3	35	20339—20373	Drm.	Strømmen	1937	21,8	24,0	1H. 21. 24	3989	8,4	20,0		
		10	20876—20885	Krs.	»	1938	»	»	1H. 21. 24	»	»	»		
T 4	1	15	4300—4314	Oslo	Skabo	1937	28,7		15. 21. 24	3770	8,5	20,0		
		20	4315—4334	»	»	1938	»	»	15. 21. 24	»	»	»		
To 4	1	10	20294—20303	Drm.	»	1937	45,9		3. 15	3400	17,8	40,0		
		10	20304—20313	»	»	1938	»	»	3. 15	»	»	»		
Tl 4	1	10	4289—4298	Oslo	»	1937	28,7	22,8	15. 21. 24	3770+	9,2	20,0		
		10	20886—20895	Krs.	»	1938	»	»	15. 21. 24	4066 3770+ 4350				
Zl	3	1	4962	Oslo	Eidsfos	1937			1. 3. 6. 15. 20. 24. 35. 40	3380	12,5*)		*) Inkl. ballast.	
		1	9960	Brg.	»	»			1. 3. 6. 15. 20. 24. 35. 40	»				

Ombyggede vogner:

Litra	Type	Antall	Vogn nr.	Distrikt	Ombygget ved	År	Gulv-	Rum-	Brems- opvarming, belysning m. v. se side 6	Ho- ved- tegn.	Omtrentlig		Anm.
							flate	innh.			Egen- vekt	Laste- evne	
							m. ²	m. ³			tonn	tonn	
G 3	3	2	31001, 31006	Oslo	Oslo distr.	1937-38	18,6	37,9	3. 24		9,3	14,0	Tidl. Gf 3, type 4.
Gfo 2	1	1	20766	Drm.	Drm. distr.	»	25,8	56,8	3. 8. 13				Konduktørrum ut- videt. Går over fra grunnriss 1 til grunn- riss 2.
		2	4	5702—5705	Thm.	Oslo distr.	»	27,1	57,0	1. 3. 6. 8. 13			
		6	14132—14137	Brg.	»	»	»	»	1. 3. 6. 8. 13				
Gv 2	1	6	10316—10321	Thm.	»	»			1. 5. 15. 21	4365			Tidl. G 2, type 1.
		10	12161—12170	»	»	»			1. 5. 15. 21	»			
		6	14177—14182	Brg.	»	»			1. 5. 15. 21	»			
		8	14184—14191	»	»	»			1. 5. 15. 21	»			
Hv 3	1	1	5532	Hmr.	Strømmen	»	13,0	26,6	1. 1KK. 3. 6. 7. 20. 35	1218			Tidl. Hf 3, type 1.
		1	5534	»	»	»	»	»	1. 1KK. 3. 6. 7. 20. 35	»			
		1	5539	»	»	»	»	»	1. 1KK. 3. 6. 7. 20. 35	»			
		1	5542	»	»	»	»	»	1. 1KK. 3. 6. 7. 20. 35	»			
		1	5551	»	»	»	»	»	1. 1KK. 3. 6. 7. 20. 35	»			

Litra	Type	Antall	Vogn nr.	Distrikt	Ombygget ved	År	Gulv-	Rum-	Brems-, opvarming, belysning m. v. se side 6	Ho- ved- tegn.	Omtrentlig		Ann.		
							flate m ²	innh. m ³			Egen- vekt tonn	Laste- evne tonn			
Hv 3	1	1	5553 ✓	Hmr.	Strommen	1937-38	13,0	26,6	1. 1KK. 3. 6. 7. 35	1218			} Tidl. Hf 3, type 1.		
		1	5568 ✓	»	»	»	»	»	1. 1KK. 3. 6. 7. 35	»					
		1	14957 ✓	Brg.	»	»	»	»	»	1. 1KK. 3. 6. 7. 35	»				
		1	14967 ✓	»	»	»	»	»	»	1. 1KK. 3. 6. 7. 35	»				
		1	15454 ✓	Drm.	»	»	»	»	»	1. 3. 6. 7. 15. 35	»				
		1	3427 ✓	Oslo	Hmr. distr.	»	»	12,8	26,2	1. 1KK. 3. 6. 7. 35	1504				
		1	8432 ✓	Hmr.	»	»	»	»	»	1. 3. 6. 7. 15. 35	»				
		1	8436 ✓	»	»	»	»	»	»	1. 3. 6. 7. 15. 35	»				
		1	8492 ✓	»	»	»	»	»	»	1. 3. 6. 7. 15. 35	»				
		1	10062 ✓	Thm.	»	»	»	»	»	1. 3. 6. 7. 15. 35	»				
		1	10070 ✓	»	»	»	»	»	»	1. 3. 6. 7. 15. 35	»				
1	15458 ✓	Drm.	»	»	»	»	»	1. 3. 6. 7. 15. 35	»						
L 3	5	2	2792, 2799 ✓	Oslo	Drm. distr.	»	18,4	20,2	21	2175 + D.3073	7,5	15,0	} Tidl. Ls 3, type 1.		
		1	6760 ✓	»	»	»	»	»	21	»	»	»			
		2	6768, 6769 ✓	»	»	»	»	»	»	21	»	»			
		1	15782 ✓	Drm.	»	»	»	»	»	21	»	»			
		2	15797, 15798 ✓	»	»	»	»	»	»	21	»	»			
6	2	11909, 11915 ✓	Oslo	Oslo distr.	»	21,1	27,5	2. 6. 21	»	8,0	»	} Tidl. T 3, type 2.			
L 4	2	2	32261, 32306 ✓	»	»	»	18,4	18,4	3. 24	»	8,5	20,0	} Tidl. Lf 4, type 1.		
		2	32318, 32337 ✓	»	»	»	»	»	3. 24	»	»	»			
		1	32528 ✓	Brg.	»	»	»	»	»	3. 24	»	»			
		1	32532 ✓	»	Brg. distr.	»	»	»	»	3. 24	»	»			
		1	32662 ✓	Oslo	Oslo distr.	»	»	»	»	3. 24	»	»			
Lt 2	3	2	4184, 4217 ✓	»	Skabo	»	18,9	45,7	21	815 + 3858	7,0	10,0	} Tidl. N 2, type 1.		
N 2	2	1	4194 ✓	»	Thm. distr.	1931	20,0	5,8	21	»	6,5	10,5	} Tidl. N 2, type 1.		
		2	3905, 3907 ✓	»	»	1937-38	19,1	»	21	3070	6,2	11,0			
		2	3919, 3921 ✓	»	»	»	»	»	»	21	»	»			
		1	3985 ✓	»	»	»	»	»	»	21	»	»			
		2	4001, 4022 ✓	»	»	»	»	»	»	21	»	»			
		2	4038, 4041 ✓	»	»	»	»	»	»	21	»	»			
		2	8668, 8670 ✓	Hmr.	»	»	»	»	»	21	»	»			
		1	16453 ✓	Drm.	»	»	»	»	»	21	»	»			
		4	2	10886, 12542 ✓	Thm.	»	»	18,8	5,6	3	816 + 3788	»		»	} Tidl. Nf 2, type 1.
		NP 2	1	2	16314, 16315 ✓	Drm.	»	»	18,9	5,9	21	815 + 897		7,0	11,0
2	16317, 16321 ✓			»	»	»	»	»	21	»	»				
2	16324, 16330 ✓			»	»	»	»	»	»	21	»	»			
3	16333-16335 ✓			»	»	»	»	»	»	21	»	»			
Tl 3	1	1	6827 ✓	Oslo	Oslo distr.	»	21,3	17,0	3	1458 + 2278	8,0	15,0	} Tidl. Tlf 3, type 1.		
		2	6828, 6882 ✓	»	Drm. distr.	»	»	»	3	»	»	»			

Utrangerte vogner:

Litra	Type	Antall	Vogn nr.	Distrikt	Anm.	Litra	Type	Antall	Vogn nr.	Distrikt	Anm.		
G 1	1	2	15097, 15098	Drm.		M 1	1	4	2497, 2527 2532, 4111	Oslo			
		3	2093, 2094 2106									Oslo	
	4	4	8053, 8056 8076, 8085	Hmr.									
		2	10295, 10297 1093, 1095			Thm. Oslo							
G 2	1	1	3282	"	N 1		1	19	1683, 1700 1709, 1738 1756, 1847 1870, 1892 1941, 2281 2471, 2487 2622, 2682 2687, 2883 3915, 3923 4092	Oslo			
Hv 1	1	2	3509, 3514	"	Hmr.	2	5	5268, 5301 6152, 6338 6384, 6407	Hmr. Oslo				
		4	5504, 5514 5520, 8471	"									
Hv 2	1	1	2124	Oslo									
K 1	2	4	1379, 1388 1391, 1393	"	3	8556, 8589 8593	1	9523	Brg.				
L 1	1	5	1410, 1412 1417	"	2	10816, 12540	4	16085, 16143 16230, 16235	Thm.				
Lg 1	1	5	2321, 2329 5113	Hmr.	Q 2	2	1	1377	Oslo				
			8310, 8314 9822, 9824 15647, 15662 15670	Brg. Drm.	Q 3	1	1	23428	T.P.B.				
			2326, 6705 11422, 11428 11440	Oslo	S 1	1	1	12902	Thm.				

Forandringer, rettelser og tilføielser:

Litra	Type	Antall	Vogn nr.	Distrikt	Fabrikant	Bygge år	Gulv-	Rum-	Brems- opvarming, belysning m. v. se side 6	Ho- ved- tegn.	Omtrentlig		Anm.
							flate	innh.			egen- vekt	laste- evne	
							m. ²	m. ³			tonn	tonn	
G 2	1	1	3289	Oslo							9,5 *)	8,0	*) Inkl. ballast. Støpt gulv.
		1	9248	Brg.							9,3	"	
G 3	1	10	15278—15287	Drm.					15. 21				*) Inkl. ballast.
		1	15288	"					2. 15. 21				
		14	15289—15303	"					15. 21				
		5	15304—15308	"					15. 21				
		1	5441	Hmr.					1. 6. 15. 21		11,5 *)	11,5	
		2	14200, 14208 14214, 14216 Alle vogner	Brg. "							11,8 *) 12,0 *)	14,5	
G 4	1	1	17205	Oslo								[Beslag for troppe- transportbenker og hestebommer. Omb. til R-vogn. Omb. til Ro-vogn for Oslo. *) Med fullt utstyr.	
Gf 2	4	1	11102	"							12,5		
Gfo 2	1	1	12183	Thm.					11. 2. 3. 6. 8. 13. 34. 40		31,5 *)		
		1	20764	Drm.					2. 3. 8. 13				
Hvf 3	1	2	23063, 23082	T.P.B.					1. 3. 6. 7. 15. 35. 40				
Hvf 4	1	3	8692—8694	Hmr.									[Innredet som forsøks- vogner for kullsyre- iskjøling.

Litra	Type	Antall	Vogn nr.	Distrikt	Fabrikant	Bygge- år	Gulv- flate	Rum- innh.	Brems- opvarming, belysning m. v. se side 6	Ho- ved- tegn.	Omtrentlig		Anm.
							m. ²	m. ³			egen- vegt	laste- evne	
Mf 2	1	2	23497, 23498	Drm.									Omb. til Rs-vogner. {Omb. til Rs-vogn for {Oslo. {Tidl. Rl. — Brg. di- strikt, gått tilbake til {trafikken.
N 1	1	1	16066	»									
N 2	3	1	16206	»									
Sf 3	1	8	6979—6986	Oslo					1. 3. 6. 8. 15				Omb. til Rk-vogn for {Thm.
		1	20251	Drm.					1. 3. 6. 8. 40				
T 3	1	1	6542	Oslo					21		12,6		
Tso 2	1	1	4380	»					3. 15				
		1	15991	Drm.					3. 15				

Nye typer:
N 2, type 4.

Maskindirektørens kontor,

Oslo, 1ste juli 1938.

Siljan

NORGES STATSBANER

Tillegg I b

til illustrert fortegnelse over godsvogner, bredt spor, av 1ste januar 1936.

(Tilkomne og utrangerte vogner samt forandringer i tiden 1. juli 1938—30. juni 1939).

Nye vogner:

Litra	Type	Antall	Vogn nr.	Distrikt	Fabrikant	Bygge- år	Gulv- flate	Rum- innh.	Brems- er, oppvarming, belysning m. v. se side 6	Ho- ved- tegn.	Omtrentlig		Anm.	
							m. ²	m ³			Egen- vekt tonn	Laste- evne tonn		
G 4	1	4	17340—17343	Oslo	Eidsfos	1938	27,7	58,0	1H. 2. 3. 6. 24. 35	3735+	11,5	17,5		
		10	17655—17664	Thm.	»	»	»	»	1H. 2. 3. 6. 24. 35	4081	»	»		
		10	20389—20398	Drm.	Strømmen	»	»	»	»	1H. 2. 3. 6. 24. 35	»	»		»
		34	17665—17698	Thm.	»	1939	»	»	»	1H. 2. 3. 6. 24. 35	»	»		»
		10	20424—20433	Drm.	Eidsfos	»	»	»	»	1H. 2. 3. 6. 24. 35	»	»		»
To 4	1	10	4365—4374	Oslo	Skabo	1938	45,9		1H. 3	3400	19,0	40,0		
Tl 4	1	10	4335—4344	»	»	»	28,7	22,8	15. 21. 24	3770+	9,0	20,0		
		20	20896—20915	Krs.	»	»	»	»	15. 21. 24	4350	»	»		
		10	20916—20925	»	»	1939	»	»	15. 21. 24	»	»	»		
		20	4345—4364	Oslo	»	»	»	»	15. 21. 24	»	»	»		
		8	17715—17722	Thm.	»	»	»	»	1H. 21. 24	»	»	»		
G 2	1	1	20614	Drm.	Eidsfos	1918	16,1	34,0	1. 21	1421+	7,0	10,0	Tidl. nr. 3084 og 3248, ommontert fra smalt spor Drm. distr. 1938. Ny vognkasse etter tegn. 376. Akselav- stand: 3 800 mm.	
		1	20648	»	»	1920	»	»	1. 21	376	»	»		

Ombyggede vogner:

Litra	Type	Antall	Vogn nr.	Distrikt	Ombyggd ved	År	Gulv- flate	Rom- innh.	Brems- er, oppvarming, belysning m. v. se side 6	Ho- ved- tegn.	Omtrentlig		Anm.	
							m. ²	m ³			Egen- vekt tonn	Laste- evne tonn		
G 2	3	1	5074	Hmr.	Brg. distr.	1938-39	16,0	33,8	1H. 2. 6. 21	376 + BdM 1979	8,8	9,0	Tidl. G2, type 1. Rum for fisk og rum for stykkgoods.	
G 3	3	1	31009	Oslo	Oslo distr.	»	18,8	37,9	3. 24		9,0	14,0	Tidl. Gf3, type 4.	
Gfo 2	2	1	3343	»	»	»	27,1	57,4	1. 3. 5. 8. 13		25,6*)	9,5	Konduktørrom utvi- det. Går over fra grunnriss 1 til grunn- riss 2. *) Inkl. ballast.	
		2	3335, 3338	»	Eidsfos	»	»	»	1. 3. 6. 8. 13		17,5	17,0		
		1	3344	»	»	»	»	»	1. 3. 6. 8. 13		»	»		
		3	5151—5153	Hmr.	»	»	»	»	»	1. 3. 6. 8. 13		»		»
		1	5701	Thm.	»	»	»	»	»	1. 3. 6. 8. 13		»		»
		2	5708, 5710	»	»	»	»	»	»	1. 3. 6. 8. 13		»		»
H 3	1	1	14131	Brg.	»	»	»	»	1. 3. 6. 8. 13		27,0*)	8,0		
		1	5562	Hmr.	Hmr. distr.	»	13,0	26,6	1. 1KK. 3. 6. 35	1218	12,7	9,5*)	Tidl. Hf3, type 1. *) med fulle isbe- holdere.	
		1	10049	Oslo	»	»	»	»	1. 1KK. 3. 6. 35	»	»	»		
		1	10057	Thm.	»	»	»	12,9	23,0	1. 1KK. 3. 6. 35	»	14,0		8,0*)
1	3470	Oslo	Drm. distr.	»	»	12,8	26,2	1. 1KK. 3. 6. 35	1504	»	»			

Utrangerte vogner:

Litra	Type	Antall	Vogn nr.	Distrikt	Anm.	Litra	Type	Antall	Vogn nr.	Distrikt	Anm.				
G 1	1	1	2075	Oslo		M 1	1	1	3801	Oslo					
		7	1108, 1124 1140, 1145 1151, 2032, 2045					N 1	1			6	2271, 2468 2482, 2561 2691, 2704		
	6	8058, 8066 8072, 8075 8082, 8083	Hmr.	8		1	5265			Hmr.					
						4	4	1035, 1038 1089, 1097	Oslo			2	8	6158, 6159 6168, 6322 6330, 6387 6404, 7503	Oslo
													1	3	
	1	1	8105 10303	Hmr. Thm.		6	9513	Thm.							
							1		1	5439 20153		Hmr. Drm.	7	10813, 10822 12501, 12505 12508, 12522	Thm.
	3	1	5673 6292	Thm. Oslo		8		16059, 16074 16183, 16201 16215, 16217 16277						Drm.	
							3	1	3406 3474	Oslo Thm.		2	1670, 1676 1712, 1776		Oslo
	2	1	1392 5121	Oslo Hmr.		1							1783, 1814 1857, 1871	Thm. Brg.	
2					1		5121	Hmr.	1	10830	Thm. Drm.				
	3	4	15604, 15606 15618, 15630	Drm.		2				9571 23004		Drm.			
1					1		11439 3763, 3764 3770	Oslo	1						

Forandringer, rettelser og tilføyelser:

Litra	Type	Antall	Vogn nr.	Distrikt	Fabrikant	Bygge år	Gulv-	Rom-	Brems- oppvarming, belysning m. v. se side 6	Ho- ved- tegn.	Omtrentlig		Anm.			
							flate	innh.			egen- vekt	laste- evne				
							m. ²	m. ³			tonn	tonn				
G 2	1	3	3181, 3182 3184	Oslo					2. 6. 15. 21							
		1	14170	Brg.					2. 6. 15. 21 1. 15. 21							
G 3	1	1	3068	Oslo					1. 6. 15. 21							
		2	8177, 8191	Hmr.					2. 6. 15. 21							
		1	12177	Thm.					1. 6. 15. 21							
		1	3394	Oslo					1. 6. 15. 21							
		8	3171—3178	Oslo					1H. 2. 6. 21							
		1	3593	Oslo					1. 6. 15. 21							
		1	10341	Thm.					1. 6. 15. 21							
		1	3579	Oslo					1H. 2. 6. 21							
1	15401	Drm.	1. 6. 15. 21													
G 4	1	2	15426, 15434	Oslo					2. 6. 21. 24. 35. 40							
		1	15436	Oslo					2. 6. 21. 24. 35. 40							
		10	17329—17338	Oslo					1H. 2. 3. 6. 24. 35. 40							
Gfo 2	2	1	5706	Thm.										Omb. til Ro for Oslo.		
Gv 1	1	1	15132	Drm.										Omb. til Re for Brg.		
Gv 2	1	6	10316—10321	Thm.			16,1	34,0			8,0	9,5				
		10	12161—12170	Oslo												Se også tillegg I.
		6	14177—14182	Brg.												
		8	14184—14191	Oslo												

Litra	Type	Antall	Vogn nr.	Distrikt	Fabrikant	Bygge- år	Gulv- flate	Rom- innh.	Brems- oppvarming, belysning m. v. se side 6	Ho- ved- tegn.	Omtrentlig		Anm.	
							m. ²	m. ³			egen- vegt	laste- evne		
Gv 3	1	1	3100	Oslo	Skabo	1908	16,1	34,0	21			8,5	15,0	}Ovn uttatt. Går til- bake til G 3, type 1.
		1	6096	»	Eidsfos	1909	»	»	21			»	»	
Gvf 2	1	1	2115	»	Strømmen	1897	»	»	3			7,0	8,0	}Ovn uttatt. Går til- bake til Gf 2, type 3.
Mf 2	1	1	23463	Drm.										Omb. til Rs for Oslo.
N 1	1	1	2581	Oslo			15,9	5,0				11,0	»	}Vedkassene avtatt.
		2	2626, 2636	»			»	»			»			
		1	2861	»			»	»			»			
		1	7520	»			»	»			»			
Nf 2	2	1	2707	»										Omb. til Rs for Hmr. » » » » Krs.
		1	2714	»										
Sf 3	1	2	2900, 2901	»					1H. 2. 3. 6. 8					
		5	4517—4521	»					1H. 2. 3. 6. 8					
		12	4523—4534	»					1H. 2. 3. 6. 8					
		4	20253—20256	Drm.					1. 3. 6. 8. 40					

I Tillegg Ia pr. 1/7 38 skal stå:

Under ombyggede vogner — N2, type 3 — Anm.: Tidl. N1, type 1 og 2.

» utrangerte » — N1, » 1 — Antall skal være 18. Vogn nr. 3923 er type 2.

Nye typer:
G 2, type 3.
S 3, » 1.

Maskindirektørens kontor,

Oslo, 1ste juli 1939.

NORGES STATSBANER

Tillegg I c

til illustrert fortegnelse over godsvogner, bredt spor, av 1ste januar 1936.

(Tilkomne og utrangerte vogner samt forandringer i tiden 1. juli 1939—30. juni 1940).

Nye vogner:

Litra	Type	Antall	Vogn nr.	Distrikt	Fabrikant	Bygge- år	Gulv- flate	Rom- innh.	Brems- oppvarming, belysning m. v. se side 6	Ho- ved- tegn.	Omtrentlig		Anm.
							m. ²	m. ³			egen- vekt tonn	laste- evne tonn	
G 4	1	15	20434—20448	Drm.	Eidsfos	1939	27,7	58,0	1H. 2. 3. 6. 24. 35	3735+	11,5	17,5	
		16	17699—17714	Thm.	Strømmen	»	»	»	1H. 2. 3. 6. 24. 35	4081	»	»	
L 4	3	10	4159—4168	Oslo	»	»	21,8	24,0	1H. 21. 24	3989	8,5	20,0	
Qf 3	1	3	4986—4988	»	»	1940		13,8	1H. 3	2658	10,0	12,5	
Qf 4	1	5	4981—4985	»	Skabo	»		19,0	1H. 3. 24	4660	11,0	17,5	
Tl 4	1	10	4385—4394	»	Strømmen	1939	28,7	22,8	1H. 21. 24	3770+	9,2	20,0	
		25	17723—17747	Thm.	Skabo	»	»	»	1H. 21. 24	4350	»	»	
		27	17748—17764	»	»	1940	»	»	1H. 21. 24	»	»	»	
Oo 4	2	2	74002, 74003	Oslo	Eidsfos	»		48,0	1H. 3	4670	21,0	38,0	
G 1	3	1	15329	Drm.	»	1918	14,3	29,5	15. 21	opr. 1421	7,0	10,0	{ Opr. G-vogn, sm. sp. Omb. til Rl-vogn, bredt spor. Omb. til G, Drm. 1940.

Ombygde vogner:

Litra	Type	Antall	Vogn nr.	Distrikt	Ombygd ved	År	Gulv- flate	Rom- innh.	Brems- oppvarming, belysning m. v. se side 6	Ho- ved- tegn.	Omtrentlig		Anm.	
							m. ²	m. ³			egen- vekt tonn	laste- evne tonn		
G 3	3	2	31003, 31008	Oslo	Oslo distr.	1939—40	18,6	37,9	3. 24		9,0	14,0	} Tidl. Gf3, type 4.	
		3	31010—31012	»	»	»	»	»	3. 24		»	»		
		1	32024	»	»	»	»	»	»	3. 24		»		»
Gfo 2	1	1	14101	Brg.	Brg. distr.	»	25,8	56,8	1. 3. 6. 8. 13	770	27,0*	8,0*	} Konduktørrom utvi- det. Går over fra grunnriss 1 til grunnriss 2. *) Inkl. ballast.	
		1	14107	»	Eidsfos	»	»	»	1. 3. 6. 8. 13	»	23,0*	12,0*		
	2	2	3326, 3337	Oslo	»	»	»	27,1	57,6	1. 3. 6. 8. 13	2633	17,5		17,0
		2	3339, 3341	»	»	»	»	»	»	1. 3. 6. 8. 13	»	»		»
		1	3342	»	»	»	»	»	»	1. 3. 6. 8. 13	»	»		»
		1	5149	Hmr.	»	»	»	»	»	1. 3. 6. 8. 13	»	»		»
		1	5150	»	»	»	»	»	»	1. 3. 6. 8. 13. 15	»	»		»
		1	5707	Thm.	»	»	»	»	»	1. 3. 6. 8. 13. 15	»	»		»
1	5709	»	»	»	»	»	»	1. 3. 6. 8. 13	»	»	»			
H 3	1	1	10051	Oslo	Hmr. distr.	»	13,0	26,6	1. 1KK. 3. 6. 35	1218	12,6	9,5*	} Tidl. Hf3, type 1. *) Med fulle isbe- holdere.	
		1	10058	Thm.	Oslo distr.	»	12,9	23,0	1. 1KK. 3. 6. 35	»	»	»		
		1	8448	Hmr.	»	»	»	12,8	26,2	1. 1KK. 3. 6. 35	1504	13,2		9,0*
		1	14978	Brg.	Hmr. distr.	»	»	13,0	26,6	1. 1KK. 3. 6. 35	1218	12,6		9,5*
Hv 3	1	1	3426	Oslo	Oslo distr.	»	12,8	26,2	1. 1KK. 3. 6. 7. 35	1504	13,7	8,5*	} Tidl. Hvf 3, type 1. *) Med fulle isbe- holdere.	
		2	3446, 3448	»	»	»	»	»	1. 1KK. 3. 6. 8. 35	»	13,8	9,0*		
		1	3463	»	»	»	»	»	1. 3. 6. 7. 15. 35	»	12,9	9,5*		
		1	6904	»	»	»	»	»	1. 1KK. 3. 6. 7. 35	»	14,2	9,5*		
		1	10074	Thm.	Drm. distr.	»	»	»	»	1. 3. 6. 7. 15. 35	»	13,3		9,0*
		1	8496	Hmr.	Hmr. distr.	»	»	»	»	1. 3. 6. 7. 15. 35	»	»		8,5*
		1	8496	»	»	»	»	»	»	1. 3. 6. 7. 15. 35	»	»		»

Litra	Type	Antall	Vogn nr.	Distrikt	Ombygd ved	År	Gulv- flate	Rom- innh.	Brems- oppvarming, belysning m. v. se side 6	Ho- ved- tegn.	Omtrentlig		Anm.				
							m. ²	m. ³			egen- vekt	laste- evne					
											tonn	tonn					
L 3	5	1	2790 ^u	Oslo	Oslo distr.	1939-40	18,4	20,2	21	2175+ D.3073	7,5	15,0	} Tidl. Ls 3, type 1.				
		2	2796, 6766 ^v	»	Drm. distr.	»	»	»	21					»	»		
		2	15783, 15784 ^v	Drm.	»	»	»	»	21					»	»		
		2	15786, 15804 ^v	»	»	»	»	»	21					»	»		
L 4	2	2	11194, 11198	Oslo	Oslo distr.	»	18,4	18,4	3. 24		8,5	20,0	} Tidl. Lf 4, type 1.				
		1	11388 ^v	»	»	»	»	»	3. 24					»	»		
N 2	3	2	8659, 8665	Hmr.	Drm. distr.	»	19,1	5,8	21	3071	6,2	11,0	} Tidl. N1, type 1.				
		1	16454 ^v	Drm.	»	»	»	»	21					»	»		
		2	3973, 4031 ^v	Oslo	»	»	»	»	»					21	»	»	} Tidl. N1, type 2.
		1	4086 ^v	»	»	»	»	»	»					21	»	»	
NP 2	1	10	5305-5314 ^v	Hmr.	»	»	18,9	5,9	21	815 + 4363	7,0	11,0	} Tidl. N 2, type 1.				
		2	5317, 5318 ^v	»	»	»	»	»	21					»	»		
		1	16339 ^v	Drm.	»	»	»	»	»					21	»	»	
		15	16350-16364 ^v	»	»	»	»	»	»					21	»	»	
S 3	1	1	20771 ^u	»	»	»	18,0	36,7	1. 3. 6. 8	2275	11,0	11,5	} Tidl. Sf 3, type 1.				
		1	20251 ^u	»	»	»	»	»	»					»	»		
		1	20257 ^u	»	»	»	»	»	»					»	»	»	
Tl 3	1	1	6834 ^u	Oslo	Oslo distr.	»	21,3	17,0	3	1458+ 2278	8,0	15,0	} Tidl. Tlf 3, type 1.				
		2	6890, 6892 ^u	»	»	»	»	»	»					»	»	»	

Utrangerte vogner:

Litra	Type	Antall	Vogn nr.	Distrikt	Anm.	Litra	Type	Antall	Vogn nr.	Distrikt	Anm.					
G 1	2	7	1102, 1107	} Oslo		L 4	2	1	32653 ^u	Oslo						
			1109, 1111													
			1141, 1146													
			1148													
	4	2	8057, 8068 ^v	Hmr.		Lk 3	1	1	10651 ^v	Thm.						
			1081, 1091 ^v	Oslo												
G 2	1	3	3205, 3226 ^v	} »		M 1	1	1	6144 ^u	Oslo						
			3265													
G 3	1	3	15272, 15323 ^v	} Drm.		N 1	1	8	2276, 2298 2498, 2580 2644, 2694 4006, 6162 ^v	} »						
			20790 ^v													
			8198 ^u									Hmr.	2	8	16027, 16079 ^v	} Drm.
			31039 ^u									Oslo				
Gf 2	1	1	8109 ^v	Hmr.		N 2	2	1	5716 ^u	Thm.						
Gfo 2	3	1	3396 ^v	Oslo												
Hf 3	1	1	10050 ^u	»		S 1	1	1	8452 ^u	Hmr.						
K 1	2	1	2223 ^u	»	3							1	1	1997 ^u	Oslo	
L 1	1	5	1409, 1545	} »			T 3	1	1	14510 ^u	Brg.					
			1547, 1552													
			1563			Tl 3	1	1	10953 ^u	Thm.						

Forandringer, rettelser og tilføyelser:

Litra	Type	Antall	Vogn nr.	Distrikt	Fabrikant	Bygge år	Gulv-	Rom-	Bremses, oppvarming, belysning m. v. se side 6	Hovedtegn.	Omtrentlig		Anm.					
							flate	innh.			egenvekt	lastevne						
							m. ²	m. ³			tonn	tonn						
G 2	I	23	1191, 1195	}	Oslo													
			1197, 1199												1. 6. 15. 21			
			1201—1203															
			1205, 1207															
			1209, 1210															
			1214—1216															
			1218—1224															
			1228, 1231															
			4 3183, 3198													} "	2. 6. 15. 21	
			3227, 3229															
			4 3286, 3288													} "	1. 6. 15. 21	
			3289, 3296															
			2 8129, 8132													} Hmr.	1. 6. 15. 21	
			5 9231, 9233															
			9235, 9241													} Brg.	1. 15. 21	
			9244															
1 9248																		
2 10314, 10323	} Thm.	1. 6. 15. 21																
1 14169																		
3 14183, 14192	} "	1H. 2. 6. 21. 40																
14194																		
1 14195	} "	1. 6. 15. 21																
G 3	I		2088	}	Oslo													
			2 2946, 2948												15. 21			
			9 3055, 3057													2. 6. 15. 21		
			3058, 3060															
			3061, 3064															
			3065, 3067															
			3068															
			5 3072—3074														} "	1. 6. 15. 21
			3079, 3080															
			2 3087, 3114														} "	2. 6. 15. 20. 21
			1 3128															
			1 3178														} "	2. 15. 21
			8 3314—3316															
			3318, 3320														} "	2. 6. 15. 21
			3323, 3325															
			3327														} "	1H. 2. 6. 21. 40
			1 3333															
			5 3346, 3350														} "	15. 21
			3355, 3356															
			3358														} "	2. 15. 21
			1 3359															
			5 3363, 3366														} *	1H. 2. 6. 21. 39
			3367, 3369															
			3371														} "	15. 21
			7 3385, 3386															
			3388, 3390														} "	1. 6. 15. 21
			3392—3394															
			1 3579														} "	1H. 2. 6. 21. 40
			15 3581, 3582															
			3584—3591														} "	1. 6. 15. 21
			3594—3597															
			3599														} "	
8 5438, 5442																		
5445—5448	} Hmr.	1. 6. 15. 21																
5450, 5451																		
1 5456	} "	1H. 21																
7 5636—5639																		
5643, 5649	} Thm.	15. 21																
5652																		
1 5653	} "	2. 15. 21																
4 5656, 5659																		
5661, 5664	} "	15. 21																
10 8149—8151																		
8153—8158	} Hmr.	1. 6. 15. 21																
8160																		

Litra	Type	Antall	Vogn nr.	Distrikt	Fabrikant	Bygge- år	Gulv- flate	Rom- innh.	Bremsr. oppvarming, belysning m. v. se side 6	Ho- ved- tegn.	Omtrentlig		Anm.							
											egen- vekt	laste- evne								
							m. ²	m. ³			tonn	tonn								
G 3	1	13	8161, 8164	Hmr.					2. 6. 15. 21											
			8166, 8167																	
			8170, 8172																	
			8173, 8179																	
			8184, 8186																	
			8188, 8190																	
			8193																	
			5										8317, 8322	»						15. 21
													8325, 8330							
													8331							
			1										8332	»						2. 15. 21
			6										8334, 8337	»						15. 21
													8339, 8341							
		8343, 8344																		
		1	8345	»						2. 15. 21										
		2	8346, 8348	»						15. 21										
		1	8350	»						2. 15. 21										
		21	13	8351, 8352	»						15. 21									
				8355, 8357																
				8359, 8363																
				8364, 8366																
				8369																
				8378—8383																
				8386, 8387																
				8390, 8396																
				8399, 8401																
				3								10208, 10209	Thm.						15. 21	
												10211								
												10214								
		6	10218, 10222	»						1H. 2. 21										
			10224, 10225																	
			10227, 10229																	
		14	10339, 10340	»						1. 6. 15. 21										
			10342—10344																	
			10346—10349																	
			10351—10353																	
			10357, 10358																	
		5	12171, 12173	»						1. 6. 15. 21										
			12176, 12178																	
			12179																	
		12	14108, 14110	Brg.						1. 6. 15. 21										
			14112, 14114																	
			14115																	
			14118—14120																	
			14122, 14124																	
1	14126, 14127	»						1. 6. 15. 21												
15	14197	»						1. 6. 15. 21												
	14199—14202																			
	14204, 14206																			
	14207																			
	14209—14211																			
	14213, 14215																			
1	14219—14221	»						1H. 21												
11	15193, 15195	Drm.						1. 6. 15. 21												
	15198—15204																			
	15209, 15210																			
4	15228, 15239	»						15. 21												
	15240, 15248																			
14	15259—15261	»						1. 6. 15. 21												
	15263—15268																			
	15270, 15272																			
	15274, 15276																			
	15277																			
3	15309, 15312	»						15. 21												
	15315																			
1	15316	»						1H. 21												
5	15318—15322	»						15. 21												
1	15323	»						2. 15. 21												
4	15324—15327	»						15. 21												
1	15358	»						1H. 2. 21												
1	15360	»						2. 15. 21												

Litra	Type	Antall	Vogn nr.	Distrikt	Fabrikant	Bygge- år	Gulv- flate	Rom- innh.	Brems- er, oppvarming, belysning m. v. se side 6	Ho- ved- tegn.	Omtrentlig		Anm.	
							m. ²	m. ³			egen- vekt tonn	laste- evne tonn		
G 3	1	13	15383—15387	} Drm.					1. 6. 15. 21					
			15389, 15390											
			15393, 15395											
	6	6	17169, 17173	} Oslo					1. 6. 15. 21					
			17176, 17178											
			17179, 17181											
	3	3	17501, 17507	} Thm.					15. 21					
			17509											
			20151, 20152											
	31	31	20154, 20161	} Drm.						1. 6. 15. 21				
			20163											
			20165—20174											
			20176, 20178											
20181, 20182														
20184, 20185														
20188—20190														
20192—20194														
20196—20198														
20200														
10	10	20777, 20778	} »					1. 6. 15. 21						
		20780—20782												
		20784												
2	2	20786—20789	} »					1. 6. 15. 21. 40						
		20791, 20793												
1	1	23078	} »					1. 6. 15. 21						
G 4	1	40	15408—15447	} Drm.					2. 6. 15. 21. 24. 35 *)					
			15461—15490											
			15497—15500											
Gfo 2	1	1	14104	} Brg.					1. 3. 6. 8. 13. 15					
			3344											
			5151, 5153											
			5701, 5703											
			5705, 5708											
	2	2	5713, 5714	} Hmr.					1. 3. 6. 8. 13. 15					
			3395, 3409											
			10235—10239											
			10241, 10244											
			14144											
3	3	10241, 10244	} Thm.					1. 3. 6. 8. 13. 15						
		14144												
Gv 2	1	1	9250	} »	Skabo	1909	16,1	34,0	1. 21	376				} Ovn uttatt. Litra for- andr. til G 2, type 1.
			3328											
Gv 3	1	1	3328	} Oslo	Eidsfos	1910	»	»	21	»				} Ovn uttatt. Litra for- andr. til G 3, type 1.
Gvf 2	1	1	2837	} »	Skabo	1899	»	»	3	»				} Ovn uttatt. Litra for- andr. til Gf 2, type 3.
Hv 3	1	1	6905	} »					1. 1KK. 3. 6. 7. 35. 40					
L 3	2	1	3667	} »					15. 21					
			5424, 5425											
			5427, 5434											
	10	10	12816, 12817	} Hmr.						15. 21				
			12821, 12826											
			12827, 12830											
			12831											
4	4	12837—12839	} Thm.					15. 21						
		15966, 15968												
4	4	15980, 15983	} Drm.					15. 21						
		15980, 15983												
Lk 3	1	4	15913, 15919	} »					15. 21					
			16510, 16512	} »										

*) «40» for 15421, 15423, 15426, 15427, 15434, 15436, 15438, 15439, 15497.

Omb. til Ro.

33,0*) 2,0*) *) Inkl. ballast.

Litra	Type	Antall	Vogn nr.	Distrikt	Fabrikant	Bygge- år	Gulv- flate	Rom- innh.	Brems- er, oppvarming, belysning m. v. se side 6	Ho- ved- tegn.	Omtrentlig		Anm.	
							m. ²	m. ³			egen- vekt	laste- evne		
S 1	1	3	4509—4511	Oslo										
		4	6926, 6927 6929, 7453											1H. 3. 6. 8 1H. 2. 3. 6. 8
Sf 3	1	3	4517—4519	»										
		8	6979—6986											1H. 2. 3. 6. 8. 40 1H. 2. 3. 6. 8
	2	6	2902, 2905 2906, 2909 2910, 2970	»										
		1	16588											

Ad. N 1, type 1: 4 vogner nr. 6167, 20801, 20828, 20837 forandret for framføring av løse transportkasser.
 » » , » 2: 16 » » 1680, 1724, 1760, 1773,
 1782, 1888, 1903, 4018,
 4095, 11607, 11613, 11654,
 11682, 11690, 16111 og
 16113

Nye typer:
 Qf4 — type 1.
 Oo4 — » 2.

Maskindirektørens kontor,

Oslo, 1. juli 1940.

NORGES STATSBANER

Tillegg I d

til illustrert fortegnelse over godsvogner, bredt spor, av 1ste januar 1936.

(Tilkomne og utrangerte vogner samt forandringer i tiden 1. juli 1940—30. juni 1941.)

Nye vogner:

Litra	Type	Antall	Vogn nr.	Distrikt	Fabrikant	Bygge- år	Gulv- flate	Rom- innh.	Brems- oppvarming, belysning m. v. se side 6	Ho- ved- tegn.	Omtrentlig		Anm.
							m. ²	m. ³			egen- vekt	laste- evne	
											tonn	tonn	
G 4	1	25	40460—40484	Drm.	Skabo	1940/41	27,7	58,0	1H. 2. 3. 6. 24. 35	3735+	11,5	17,5	[Tidl. nr. 500084-500093 Overtatt fra A/S Stangeskogene.
		5	40485—40489	Oslo	»	1941	»	»	1H. 2. 3. 6. 24. 35	4081	»	»	
		46	40510—40555	Brg.	Strømmen	»	»	»	1H. 2. 3. 6. 24. 35	»	»	»	
T14	1	30	60386—60415	Oslo	Eidsfos	1940/41	28,7	22,5	1H. 21. 24	3770+	9,2	20,0	
Tlo4	1	10	60486—60495	»	»	1940	45,9	41,2	1H. 3	4066	20,5	38,0	
T 3	1	10	11936—11945	»	Strømmen	1916	21,3		21	3400+	6,9	16,0	
										4506			

Ombygde vogner:

Litra	Type	Antall	Vogn nr.	Distrikt	Ombygd ved	År	Gulv- flate	Rom- innh.	Brems- oppvarming, belysning m. v. se side 6	Ho- ved- tegn.	Omtrentlig		Anm.
							m. ²	m. ³			egen- vekt	laste- evne	
											tonn	tonn	
G 2	3	1	5076 ✓	Hmr.	Brg. distr.	1940-41	16,0	33,8	1H. 2. 6. 21		8,8	9,0	[Tidl. G 2, type 1. Rom for fisk og rom for stykk gods.
Gf 2	1	2	2114, 2115 ✓	Oslo	»	»	»	»	»		»	»	
		1	2838 ✓	»	»	»	»	»	»		»	»	} Omb. til F, type 13.
		2	6267, 6273 ✓	»	»	»	»	»	»		»	»	
		2	8139, 8146 ✓	Hmr.	»	»	»	»	»		»	»	
		2	10151, 10154 ✓	Thm.	»	»	»	»	»		»	»	
		1	12154 ✓	»	»	»	»	»	»		»	»	
L 2	1	1	2915 ✓	Oslo	Drm. distr.	»	17,0	18,7	21	D.10815	6,2	11,0	} Tidl. G2, type 1.
		1	3248 ✓	»	»	»	»	»	21	»	»	»	
		1	5083 ✓	Hmr.	Krs. distr.	»	»	»	21	»	»	»	
L 3	2	2	6112, 6113 ✓	Oslo	Drm. distr.	»	»	»	21	»	6,6	16,0	} Tidl. G3, type 1.
		1	8159 ✓	Hmr.	»	»	»	»	1. 6. 21	»	»	»	
		1	8189 ✓	»	Krs. distr.	»	»	»	2. 6. 21	»	»	»	
		1	8338 ✓	»	Drm. distr.	»	»	»	21	»	»	»	
		1	8383 ✓	»	»	»	»	»	21	»	»	»	
		1	17170 ✓	Oslo	»	»	»	»	1. 6. 21	»	»	»	
		2	20168, 20175 ✓	Drm.	»	»	»	»	1. 6. 21	»	»	»	
	5	1	6754 ✓	Oslo	»	»	18,4	20,2	21	2175+	7,0	15,0	
		2	15787, 15795 ✓	Drm.	»	»	»	»	21	D.3073	»	»	
N 2	3	2	3941, 3950 ✓	Oslo	»	»	19,1	5,8	21	3070	6,0	11,0	} Tidl. N1, type 2.
		1	4005 ✓	»	»	»	»	»	21	»	»	»	
		1	8656 ✓	Hmr.	»	»	»	»	21	3071	»	»	
NP 2	1	1	16344 ✓	Drm.	»	»	18,9	5,9	21	815 +	»	»	} Tidl. N2, type 1.
										4363			

Utrangerte vogner:

Litra	Type	Antall	Vogn nr.	Distrikt	Anm.	Litra	Type	Antall	Vogn nr.	Distrikt	Anm.
G 1	2 3	2 1	2035, 7053 ✓ 15330 ✓	Oslo Drm.		M 1	1	1	2504 ✓	Oslo	
G 2	1	1	3302 ✓	Oslo		N 1	1	3	2285, 6388 ✓ 7545 ✓	»	
G 3	1	1	15125 ✓	Drm.			1	2	16141, 16286 ✓	Drm.	
G 4	1	1	20327 ✓	»			2	5	8536 ✓ 1734, 1787 ✓ 1867, 1827 ✓ 11671 ✓	Hmr. Oslo	
Gv 1	1	2	15104, 15121 ✓	»		N 2	2	1	5337 ✓	Hmr.	
Hv 1	1	1	3496 ✓	Oslo			3	1	4004 ✓	Oslo	
K 1	2	1	1387 ✓	»		NP 2	1	1	16354 ✓	Drm.	
L 1	1	3	1418, 1524 ✓ 1546 ✓	»		NP 3	1	1	13070 ✓	Nrv.	
						T 3	1	1	4852 ✓	Oslo	

Forandringer, rettelser og tilføyelser:

Litra	Type	Antall	Vogn nr.	Distrikt	Fabrikant	Bygge år	Gulv-	Rom-	Brems- oppvarming, belysning m. v. se side 6	Ho- ved- tegn.	Omtrentlig		Anm.
							flate m. ²	innh. m. ³			egen- vekt tonn	laste- evne tonn	
G 1	2	1	10289	Thm.									} Ombygget for transport av kullstubb til G1, type 6.
G 2	1	2	1189, 1200	Oslo					1. 6. 15. 21				
		2	1206, 1212	»					1. 6. 15. 21				
		1	1208	»					1. 6. 15. 21				
		2	3231, 3250	»					2. 6. 15. 21				
		1	5090	Hmr.					15. 21				
		1	6140	Oslo					2. 6. 15. 21				
		1	9230	Brg.					1. 15. 21				
		2	9240, 9242	»					1. 15. 21				
		1	9243	»					1. 15. 21				
		1	14171	»					1. 15. 21				
		1	14193	»					1. 6. 15. 21				
G 3	1	1	2943	Oslo					2. 6. 15. 21				
		2	3053, 3054	»					1. 6. 15. 21				
		1	3078	»					2. 6. 15. 20. 21				
		1	3103	»					15. 21				
		2	3126, 3131	»					2. 6. 15. 21				
		1	3150	»					2. 15. 21				
		2	3317, 3324	»					15. 21				
		2	3331, 3347	»					15. 21				
		1	3351	»					15. 21				
		1	3365	»					15. 21				
		1	3391	»					1. 6. 15. 21				
		1	3592	»					1. 6. 15. 21				
		2	5437, 5440	Hmr.					1. 6. 15. 21				
		2	5646, 5655	Thm.					15. 21				
		1	6110	Oslo					2. 15. 21				
		2	8162, 8175	Hmr.					2. 6. 15. 21				
		2	8323, 8328	»					15. 21				
		2	8356, 8398	»					15. 21				
		1	10228	Thm.					15. 21				
		1	12174	»					1. 6. 15. 21				
		2	14214, 14218	Brg.					1. 6. 15. 21				
		2	15197, 15207	Drm.					1. 6. 15. 21				
		1	15216	»					2. 15. 21				
		2	15230, 15249	»					15. 21				

Litra	Type	Antall	Vogn nr.	Distrikt	Fabrikant	Bygge år	Gulv-	Rom-	Bremsr. oppvarming, belysning m. v. se side 6	Ho- ved- tegn.	Omtrentlig		Anm.
							flate m. ²	innh. m. ³			egen- vekt tonn	laste- evne tonn	
G 3	1	1	15269	Drm.					1. 6. 15. 21				
		1	15271	»					1. 1H. 6. 21				
		1	15288	»					1H. 2. 21				
		2	17172, 17174	Oslo					1. 6. 15. 21				
		2	17177, 17182	»					1. 6. 15. 21				
		1	17506	Thm.					2. 15. 21				
		1	20156	Drm.					1. 6. 15. 21				
		2	20158, 20159	»					1. 6. 15. 21				
		1	20180	»					1. 6. 15. 21				
		1	20794	»					1. 6. 15. 21, 40				
Gfo 2	1	1	6207	Oslo									Omb. til Rlo.
	2	1	14134	Brg.							27.0*)	8.0*)	*) Inkl. ballast.
	3	2	14139, 14141	»							»	»	
		1	14146	»							»	»	
K 1	2	1	3623	Oslo			10,6	14,3					{Påsatt kasse for generatorknott.
L 3	2	1	3668	»					1H. 21				
		2	3704, 3712	»					1H. 21				
		2	3794, 3797	»					1H. 21				
		1	5436	Hmr.					15. 21				
		1	12818	Thm.					1H. 21				
		1	12835	»					15. 21				
		1	12841	»					15. 21				
		1	15950	Drm.					1H. 21				
		1	15970	»					15. 21				
		2	15978, 15979	»					15. 21				
		1	15989	»					15. 21				
		2	16575, 16576	»					1H. 21				
Lk 3	1	2	6713, 6727	Oslo					15. 21				
		1	15920	Drm.					15. 21				
		1	15925	»					15. 21				
		1	15930	»					15. 21				
		1	16513	»					15. 21				
Mf 2	1	1	5494	Thm.									{Omb. til sporrener, Rs.
N 1	1	1	8557	»									{Forandret for fram- føring av løse trans- portkasser.
		2	16037, 20823	Drm.									
		1	11619	Oslo									
N 2	1	1	5362	Hmr.									{Omb. til vogn for is- høvel, Rs.
Q 2	1	1	4953	Oslo					15. 21				
Qf 3	1	1	4956	»					3. 15				
S 3	1	2	20251, 20252	Drm.					1. 1H. 3. 6. 8. 40				
Sf 1	2	2	4515, 4516	Oslo					1H. 2. 3. 6. 8				
		2	6930, 6931	»					1H. 2. 3. 6. 8				
Sf 3	1	5	8371—8375	Hmr.					1H. 2. 3. 6. 8				
		4	20253—20256	Drm.					1H. 2. 3. 6. 8. 40				
		2	2903, 2904	Oslo					1H. 2. 3. 6. 8				
		1	16587	Drm.					1H. 2. 3. 6. 8				
T 3	1	1	6625	Oslo									{Omb. til sporrener, Rs.
T 4	1	1	4293	»									{Tank for fisketransp. fjernet.
Tl 4	1	1	17722	Thm.					1H. 6. 21. 24				
		1	20920	Krs.					6. 15. 21. 24				
Tlf 3	1	1	10927	Thm.					3. 15				
Tsfo 3	1	1	15995	Drm.					3. 15				
Ø 4	1	10	17583—17592	Thm.					15. 21				

Ad Tillegg Ia, pr. $\frac{1}{7}$ 38:

Hvf4—1—3 vogner nr. 8682, 8693, 8694 forsøksvogner, ikke nr. 8692—8694.

Ad Tillegg Ic, pr. $\frac{1}{7}$ 40:

Nye vogner: 17 Tl4, nr. 17748—17764, ikke 27 vogner.

Omb. » Gfo2, type 2, 2 vogner nr. 3336, 3337, ikke 3326.
Gf3, » 4 utgår.

Nye typer:

G1 — type 6.
L2 — » 1.
Tlo4 — » 1.

Maskindirektørens kontor,

Oslo, 1. juli 1941.

NORGES STATSBANER

Tillegg I e

til illustrert fortegnelse over godsvogner, bredt spor, av 1ste januar 1936.

(Tilkomne og utrangerte vogner samt forandringer i tiden 1. juli 1941—30. juni 1942.)

Nye vogner:

Litra	Type	Antall	Vogn nr.	Distrikt	Fabrikant	Bygge- år	Gulv-	Rom-	Brems- oppvarming, belysning m. v. se side 6	Ho- ved- tegn.	Omtrentlig		Anm.		
							flate	innh.			egen- vekt	laste- evne			
							m. ²	m. ³			tonn	tonn			
G 4	1	20	40490—40509	Oslo	Skabo	1941	27,7	58,0	1H. 2. 3. 6. 24. 35	3735+ 4081	11,5	17,5			
		17	40556—40572	Brg.	Strømmen	»	»	»	1H. 3. 6. 24. 35						
		76	40573—40648	Oslo	»	1941/42	»	»	1H. 3. 6. 24. 35						
		10	40658—40667	»	Skabo	1941	»	»	1H. 3. 6. 24. 35						
		45	40723—40767	Drm.	Eidsfos	1941/42	»	»	1H. 3. 6. 24. 35						
Tl 4	1	50	60496—60545	Oslo	Skabo	1942	28,7	22,8	1H. 21. 24	3770+ 4350	9,2	20,0			
L 4	1	13	11368—11371	»	Innkjøpt fra Tyskland 1916		18,4	18,4	21. 24		8,5	20,0			
			11372, 11373	»			»	»	»					»	15. 21. 24
			11374	»			»	»	»					»	21. 24
			11375	»			»	»	»					»	15. 21. 24
			11376—11378	»			»	»	»					»	21. 24
			11379	»			»	»	»					»	15. 21. 24
			11380	»			»	»	»					»	21. 24
		2	2	11352, 11355			»	»	»					»	3. 24
Lf 4	1	1	11351	»	»	»	»	»	3. 24	9,0	»	»			
		2	11353, 11354	»			»	»	3. 24						
		12	11356—11367	»			»	»	3. 24						
Qf 3	2	1	11301	»	Van der Zypern & Charlier	1914		15,0	3. 24	10,7	13,0				
		1	11302	»					»				3. 24		

Tidl. nr. 500049-500078
overtatt fra Bøhns-
dalens Mills, Ltd.

Tidl. nr. 500079, 500080
overtatt fra Øst-
landske og Vest-
landske Petroleumss-
co.

Ombygde vogner:

Litra	Type	Antall	Vogn nr.	Distrikt	Ombygd ved	År	Gulv-	Rom-	Brems- oppvarming, belysning m. v. se side 6	Ho- ved- tegn.	Omtrentlig		Anm.	
							flate	innh.			egen- vekt	laste- evne		
							m. ²	m. ³			tonn	tonn		
Gfo 2	1	1	15252	Drm.	Strømmen	1941/42							Omb. til Fo, type 4. Ny vognkasse. Nytt nr. 15019. Omb. til Fo, type 4. Ny vognkasse. Nytt nr. 3044. Overført til Oslo. Omb. til Fo, type 4. Ny vognkasse. Nytt nr. 3045. Overført til Oslo.	
		2	5701	Thm.	»	»								
		3	14142	Brg.	»	»								

Litra	Type	Antall	Vogn nr.	Distrikt	Ombygd ved	År	Gulv-	Rom-	Bremsers, oppvarming, belysning m. v. se side 6	Ho-ved-tegn	Omtrentlig		Anm.		
							flate	innh.			egen-vekt	laste-vevne			
							m. ²	m. ²			tonn	tonn			
Hv1	1	1	8487	Hmr.	Brg. distr.	1941/42								} Omb. til F, type 16. } Nye vognkasser. } Nr. 8487 overført til Brg.	
		1	14952	Brg.	»	»									
Hvf3	1	1	3464	Oslo		»	15,0	30,0	1. 3. 6. 7. 15. 35		11,5	11,0	} Nye vognkasser. } Kullysreiskjøling.		
		1	17087	»	»	»	»	»	1. 3. 6. 7. 15. 35		»	»			
L2	1	1	2919	Oslo	Oslo distr.	»	17,0	18,7	21		6,2	11,0	} Tidl. G2, type 1. } Tidl. Gf2, type 2.		
		2	17060	»	Drm. distr.	»	»	»	3		7,0	10,0			
L3	1	1	3370	Oslo	Krs. distr.	»	17,0	18,7	21		6,6	16,0	} Tidl. G3, type 1.		
		1	20184	Drm.	»	»	»	»	1. 6. 15. 21		»	»			
NP2	1	19	16313, 16316	Drm.	Drm. distr.	1939	18,9	5,9	21		815 + 4363	7,0	11,0	} Tidl. N2, type 1.	
			16318—16320	»	»	»	»	»	21		»	»	»		
			16322, 16323	»	»	»	»	»	»	21		»	»		
			16325, 16326	»	»	»	»	»	»	21		»	»		
			16328, 16329	»	»	»	»	»	»	21		»	»		
			16331, 16332	»	»	»	»	»	»	21		»	»		
			16336—16338	»	»	»	»	»	»	21		»	»		
			16340—16342	»	»	»	»	»	»	21		»	»		

Utrangerte vogner:

Litra	Type	Antall	Vogn nr.	Distrikt	Anm.	Litra	Type	Antall	Vogn nr.	Distrikt	Anm.
G3	1	1	3171	Oslo		N1	1	1	7545	Oslo	
L1	3	1	15620	Drm.			1	1	16278	Drm.	
Lt2	3	1	4205	Oslo			2	1	4002	Oslo	
M1	1	1	2520	»		N2	1	1	1734	»	
						S1	1	1	10893	Thm.	
									1998	Oslo	

Forandringer, rettelser og tilføyelser:

Litra	Type	Antall	Vogn nr.	Distrikt	Fabrikant	Bygge-år	Gulv-	Rom-	Bremsers, oppvarming, belysning m. v. se side 6	Ho-ved-tegn.	Omtrentlig		Anm.	
							flate	innh.			egen-vekt	laste-vevne		
							m. ²	m. ³			tonn	tonn		
G2	1	2	1193, 1229	Oslo					1. 6. 15. 21					
		1	3209	»					2. 6. 15. 21					
		1	8121	Hmr.						1. 6. 15. 21				
G3	1	1	3322	Oslo					15. 21					
		2	3348, 3349	»					1H. 21					
		2	3352, 3368	»					1H. 21					
		1	3373	»					1H. 2. 6. 21					
		2	3374, 3376	»					1H. 21					
		5	3380—3384	»					1H. 21					
		2	5444, 5449	Hmr.					1. 6. 15. 21					
		4	5452—5455	»					1H. 21					
		2	5460, 5462	»					1H. 21					
		2	5465, 5466	»					1H. 21					
1	5640	Thm.						15. 21						

Litra	Type	Antall	Vogn nr.	Distrikt	Fabrikant	Bygge- år	Gulv- flate	Rom- innh.	Brems- oppvarming, belysning m. v. se side 6	Ho- ved- tegn.	Omtrentlig		Anm.	
											egen- vekt	laste- evne		
											tonn	tonn		
G 3	1	2	5644, 5651	Thm.					1H. 21					
		2	5657, 5658	»					1H. 21					
		2	5662, 5663	»					1H. 21					
		1	5665	»					1H. 21					
		1	8152	Hmr.					1. 6. 15. 21					
		2	8168, 8182	»					2. 6. 15. 21					
		1	8198	»					1H. 21					
		3	8293—8295	»					1H. 21					
		1	8297	»					1H. 21					
		2	8300, 8316	»					1H. 21					
		4	8318—8321	»					1H. 21					
		2	8324, 8326	»					1H. 21					
		2	8327, 8329	»					1H. 21					
		2	8331, 8333	»					1H. 21					
		2	8340, 8342	»					1H. 21					
		2	8347, 8353	»					1H. 21					
		1	8354	»					15. 21					
		3	8356—8358	»					1H. 21					
		1	8360	»					1H. 21					
		2	8365, 8367	»					1H. 21					
		2	8368, 8384	»					1H. 21					
		2	8385, 8388	»					1H. 21					
		2	8391, 8392	»					1H. 21					
		1	8393	-					1H. 2. 21					
		2	8395, 8398	»					1H. 21					
		1	8400	»					1H. 21					
		3	8422—8424	»					1H. 21					
		1	8426	»					1H. 21					
		2	8429, 8430	»					1H. 21					
		2	10212, 10213	Thm.					1H. 21					
		2	10216, 10219	»					1H. 21					
		2	10220, 10223	»					1H. 21					
		1	10226	»					1H. 21					
		2	10350, 10354	»					1. 6. 15. 21					
		2	14111, 14116	Brg.					1. 6. 15. 21					
		2	14222, 14223	»					1H. 21					
		1	14225	»					1H. 21					
2	15258, 15262	Drm.					1. 6. 15. 21							
2	15305, 15306	»					1H. 21							
2	15311, 15314	»					1H. 21							
2	15317, 15328	»					1H. 21							
2	15355, 15361	»					1H. 21							
3	15363—15365	»					1H. 21							
5	15368—15372	»					1H. 21							
1	15374	»					1H. 21							
2	15391, 15392	»					1. 6. 15. 21							
1	17180	Oslo					1. 1H. 6. 21							
4	17502—17505	»					1H. 21							
1	17508	»					1H. 21							
1	20199	Drm.					1. 1H. 6. 21							
G 4	1	1	40462	Oslo										
		46	40510—40555	Brg.					1H. 3. 24. 35					
Hv 1	1	1	8476	Hmr.										
L 1	2	1	10634	Thm.										
L 3	2	2	3663, 3682	Oslo					1H. 21					
		2	3685, 3689	»					1H. 21					
		2	3709, 3718	»					1H. 21					
		1	3746	»					1H. 21					
		2	3792, 3800	»					1H. 21					
		2	5134, 5137	Hmr.					1H. 21					
		2	5147, 5148	»					1H. 21					
		2	5410, 5412	»					1H. 21					
		1	5413	»					15. 21					
		2	5416, 5417	»					1H. 21					
		2	5418, 5423	»					15. 21					
1	5430	»					1H. 21							
1	5432	»					15. 21							
1	5623	Thm.					1H. 21							

{Innredning for syke-transport.

Litra	Type	Antall	Vogn nr.	Distrikt	Fabrikant	Bygge- år	Gulv- flate	Rom- innh.	Brems- oppvarming, belysning m. v. se side 6	Ho- ved- tegn.	Omtrentlig		Anm.			
							m. ²	m. ³			egen- vekt tonn	laste- evne tonn				
L 3	2	2	6772, 6776	Oslo												
		1	6778	»						1H. 21						
		2	6936, 6950	»							1H. 21					
		1	10572	Thm.							1H. 21					
		2	10580, 10589	»							1H. 21					
		2	12823, 12825	»							15. 21					
		1	12834	»							1H. 21					
		2	15838, 15839	Drm.							1H. 21					
		2	15841, 15855	»							1H. 21					
		1	15861	»							1H. 21					
		2	15933, 15938	»							1H. 21					
		2	15943, 15944	»							1H. 21					
		2	15946, 15950	»							1H. 21					
		1	15970	»							15. 21					
		1	15975	»							1H. 21					
		2	15977, 15983	»							15. 21					
		1	15984	»							1H. 21					
		2	16573, 16584	»							1H. 21					
		2	17037, 17038	Oslo							1H. 21					
		1	17040	»							1H. 21					
		2	20010, 20013	Drm.							1H. 21					
		2	20024, 20038	»							1H. 21					
		1	20042	»							1H. 21					
		1	20273	»							1H. 21					
		L 4	1	2	10558, 10562	Thm.										
				2	10564, 10565	»						15. 21. 24				
				2	10567, 10568	»						15. 21. 24				
				2	11171, 11172	Oslo							15. 21. 24			
				2	11174, 11178	»							15. 21. 24			
				2	11180, 11183	»							15. 21. 24			
				2	11185, 11186	»							15. 21. 24			
				1	32126	Drm.							15. 21. 24			
				2	32162, 32165	»							15. 21. 24			
				2	32167, 32182	»							15. 21. 24			
				1	32186	»							15. 24			
				1	32194	Oslo							15. 24			
				1	32195	»							15. 21. 24			
2	32199, 32205			»							15. 24					
1	32208			»							15. 21. 24					
2	32216, 32235			»							15. 24					
2	32282, 32297			»							15. 21. 24					
1	32301			»							15. 21. 24					
1	32311			»							15. 24					
2	32315, 32323			»							15. 21. 24					
1	32326			»							15. 21. 24					
1	32329			»							15. 24					
1	32331			»							15. 21. 24					
1	32338			»							15. 24					
1	32339			»							15. 21. 24					
2	32358, 32359			»							15. 24					
2	32373, 32374			»							15. 21. 24					
2	32378, 32379			»							15. 24					
2	32381, 32383			»							15. 24					
2	32387, 32394			»							15. 24					
1	32397			»							15. 24					
1	32400			»							15. 21. 24					
1	32452			Drm.							15. 21. 24					
1	32461			Thm.							15. 21. 24					
2	32473, 32479			»							15. 24					
1	32480			»							15. 21. 24					
2	32483, 32484			»							15. 24					
2	32486, 32489			»							15. 24					
2	32519, 32530			Brg.							15. 24					
1	32546			»							15. 24					
2	32558, 32559	»							15. 24							
2	32566, 32575	»							15. 24							
2	32579, 32583	»							15. 24							
2	32586, 32587	»							15. 24							
1	32597	Oslo							15. 24							
1	32601	»							15. 21. 24							
2	32604, 32605	»							15. 24							
1	32611	»							15. 21. 24							

Litra	Type	Antall	Vcgn nr.	Distrikt	Fabrikant	Bygge- år	Gulv- flate	Rom- inh.	Bremsar, oppvarming, belysning m. v. se side 6	Ho- ved- tegn.	Omtrentlig		Anm.	
							m. ²	m. ³			egen- vekt tonn	laste- evne tonn		
L 4	1	2	32612, 32615	Oslo										
		1	32617	»										
	2	2	32652, 32655	»										
		1	32667	»										
		2	32261, 32302	»										
		2	32312, 32318	»										
		2	32342, 32463	»										
		2	32600, 32662	»										
Lf 4	1	1	11193	Oslo										
		2	11360, 11387	»										
	2	1	32188	»										
		2	32304, 32328	»										
		2	32345, 32352	»										
		1	32460	Drm.										
		1	32482	Thm.										
		2	32539, 32577	Brg.										
		1	32591	»										
		2	32616, 32626	Oslo										
		2	32636, 32646	»										
		Lk 3	1	1	10653	Thm.								
Ls 3	1	1	2798	Oslo										
Mf 2	1	1	5492	Thm.										
		1	5494	»										
		1	23485	Drm.										
		1	23500	»										
N 2	2	1	6673	Oslo										
		1	16374	Drm.										
NPo 3	2	1	6841	Oslo										
Q 2	1	2	4951, 4952	»										
Qi 3	1	1	4958	»										
S 1	1	3	2896—2898	»										
		1	4512	»										
		1	6921	»										
		2	6926, 6927	»										
		1	6929	»										
		1	7453	»										
		1	8453	Hmr.										
		2	8456, 8457	»										
		2	1988, 1989	Oslo										
		2	1996, 1999	»										
S 3	1	1	20257	Drm.										
		2	20770, 20771	»										
Sf 1	1	2	15491, 15492	»										
		1	2894	Oslo										
	2	2	8441, 8442	Hmr.										
		1	15495	Drm.										
		2	17530, 17531	Thm.										
		1	23062	T.P.B.										
Sf 3	1	2	20257, 20258	Drm.										
		2	20769, 20772	»										
		2	9251, 9252	Brg.										
T 3	1	2	4805, 4808	Oslo										
		1	4809	»										
		2	4818, 4826	»										
		2	4830, 4833	»										
		1	4834	»										
		2	4843, 4847	»										
		2	4851, 4853	»										
		1	4855	»										

Omb. til Rs for Drm.
» » » » Brg.
» » » » »
» » » » Drm.

} Vogner for isbøvel
} litra Rs for Hmr.

{ Tank for transport av
{ levende fisk avtatt.

Litra	Type	Antall	Vogn nr.	Distrikt	Fabrikant	Bygge- år	Gulv-	Rom-	Brems- oppvarming, belysning m. v. se side 6	Ho- ved- tegn.	Omtrentlig		Ann.		
							flate	innh.			egen- vekt	laste- evne			
							m. ²	m. ³			tonn	tonn			
T 3	1	2	4861, 4865	Oslo											
		1	4867								1H. 21				
		1	4870								15. 21				
		1	4871								1H. 21				
		1	4871								15. 21				
		2	4872, 4875								1H. 21				
		2	4883, 4886								1H. 21				
		2	4888, 4889								1H. 21				
		1	6539								15. 21				
		2	6548, 6552								1H. 21				
		2	6557, 6561								1H. 21				
		2	6564, 6567								1H. 21				
		2	6570, 6572								1H. 21				
		1	6578								15. 21				
		2	6585, 6588								1H. 21				
		2	6589, 6592								1H. 21				
		2	6595, 6598								1H. 21				
		2	6601, 6603								1H. 21				
		2	6609, 6612								1H. 21				
		1	6613								15. 21				
		2	6615, 6616								1H. 21				
		1	6623								15. 21				
		1	6624								1H. 21				
		4	6627—6630								1H. 21				
		2	6636, 6637								1H. 21				
		2	6642, 6643								1H. 21				
		2	6645, 6647								1H. 21				
		2	6654, 6659								1H. 21				
		1	11937								1H. 21				
		1	11942								15. 21				
		2	14499, 14502			Brg.					1H. 21				}Vogner overtatt fra A/S Stangeskogene.
		2	14518, 14520								1H. 21				
		1	14523								15. 21				
		2	17005, 17008			Oslo					1H. 21				
		2	17012, 17018								1H. 21				
		2	17022, 17023								1H. 21				
		1	17025								1H. 21				
		2	17092, 17099								1H. 21				
		2	17103, 17104								1H. 21				
2	17108, 17110							1H. 21							
2	17118, 17124							1H. 21							
1	17133							1H. 21							
1	17552		Thm.					1H. 21							
2	17560, 17563							1H. 21							
T 4	1	1	4328	Oslo											
		2	4332, 4334							1H. 21. 24					
		1	4701							1H. 21. 24					
		1	4702							15. 21. 24					
		2	4711, 4713							1H. 21. 24					
		1	4716							15. 21. 24					
		2	4717, 4718							1H. 21. 24					
		2	4723, 4729							1H. 21. 24					
		2	4730, 4732							1H. 21. 24					
		2	4733, 4735							1H. 21. 24					
		6	4738—4743							1H. 21. 24					
		1	4744							15. 21. 24					
		2	4748, 4750							1H. 21. 24					
		1	4758							1H. 21. 24					
		1	4761							15. 21. 24					
		2	4764, 4771							1H. 21. 24					
		2	4773, 4775							1H. 21. 24					
		1	4776							15. 21. 24					
		2	4777, 4778							1H. 21. 24					
		2	4780, 4783							1H. 21. 24					
		2	4784, 4787							1H. 21. 24					
		2	4790, 4792							1H. 21. 24					
		2	4794, 4799							1H. 21. 24					
1	4800						1H. 21. 24								
1	16594		Drm.					15. 21. 24							
4	16595—16598							1H. 21. 24							
2	16601, 16602							1H. 21. 24							
2	16604, 16605							1H. 21. 24							
2	16607, 16608							1H. 21. 24							

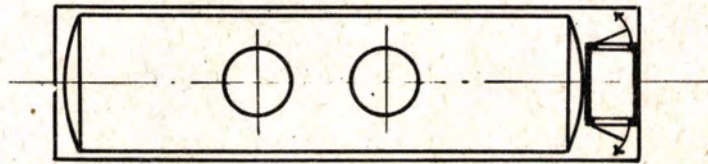
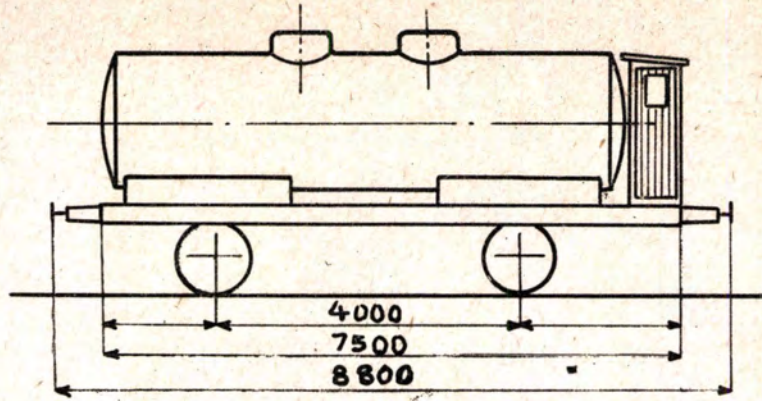
Litra	Type	Antall	Vogn nr.	Distrikt	Fabrikant	Bygge- år	Gulv- flate	Rom- innh.	Brems- oppvarming, belysning m. v. se side 6	Ho- ved- tegn.	Omtrentlig		Anm.	
							m. ²	m. ³			egen- vekt tonn	laste- evne tonn		
T 4	1	5	16611—16615	Drm.										
		4	16617—16620											»
		2	16622, 16626											»
		2	16627, 16628											»
		2	16629, 16631											»
		2	16659, 16662											»
		2	16667, 16668											»
		2	16673, 16674											»
		3	16677—16679											»
		2	16680, 16683											»
		2	16687, 16688											»
T13	1	1	4905	Oslo										
		1	15552	Drm.										
Z1	1	1	16592	Drm.										
		2	10315	Thm.										

Nye typer:

L 2 — type 2.
Qf 3 — » 2.

Maskinsjefens kontor,

Oslo, 1. juli 1942.

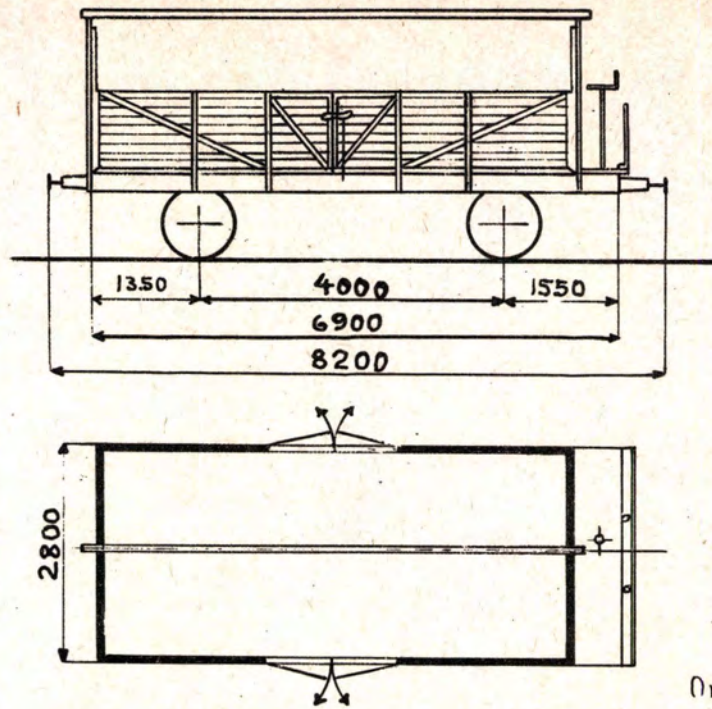


Omtrentl. egenvekt: 10,7 t.

" lastevne: 12,5 t.

Tankvogn

Antall	Vogn nr.	Distrikt	Fabrikant	Bygge- år	Hoved- tegning	Gulv- flate	Rom- inn- hold	Bremses, oppvarming, belysning m. v. Se side 6.	Anm.
						m.2	m.3		
1	11301	Oslo	Van der Zypen & Charlier	1914			15,0	3,24	
1	11302	"	"	"			"	3,24	



Omtrentl. egenvekt: 7,0 t.
" lasteevne: 10,0 t.

Kassevogn

Antall	Vogn nr.	Distrikt	Fabrikant	Bygge- år	Hoved- tegning	Gulv- flate		Rom- inn- hold	Bremses, oppvarming, belysning m.v. Se side 6	Anm.
						m.2	m.3			
1	17060	Oslo	Skabo	1910	376 + D.10815	17,0	18,7	3		Tidl. Gf2-vogn.

NORGES STATSBANER

Herved utgår tillegg I, Ia—e.

Tillegg II

til illustrert fortegnelse over godsvogner, bredt spor, av 1ste januar 1936.

(Tilkomne og, utrangerte vogner samt forandringer i tiden 1.januar 1936–30. juni 1943.)

Nye vogner:

Litra	Type	Antall	Vogn nr.	Distrikt	Fabrikant	Bygge- år	Gulv- flate	Rom- innh.	Bremses, oppvarming, belysning m. v. se side 6	Ho- ved- tegn.	Omtrentlig		Anm.
											egen- vekt	laste- evne	
							m. ²	m. ³			tonn	tonn	
G 4	1	25	17279—17303	Oslo	Strømmen	1936	27,7	58,0	1H. 2. 3. 6. 24. 35	3735+ 4081	11,5	17,5	Nye nr. 40170—40194
		20	17304—17323	»	Eidsfos	»	»	»	1H. 2. 3. 6. 24. 35	»	»	»	— 40195—40214
		5	17324—17328	»	»	1937	»	»	1H. 2. 3. 6. 24. 35	»	»	»	— 40215—40219
		25	20314—20338	Drm.	Strømmen	»	»	»	1H. 2. 3. 6. 24. 35	»	»	»	— 40220—40244
		40	17615—17654	Thm.	»	»	»	»	1H. 2. 3. 6. 24. 35	»	»	»	— 40245—40284
		12	20399—20410	Drm.	Eidsfos	»	»	»	1H. 2. 3. 6. 24. 35	»	»	»	— 40285—40296
		13	20411—20423	»	»	1938	»	»	1H. 2. 3. 6. 24. 35	»	»	»	— 40297—40309
		25	20851—20875	Krs.	Strømmen	»	»	»	1H. 2. 3. 6. 24. 35	»	»	»	— 40310—40334
		25	20374—20398	Drm.	»	»	»	»	1H. 2. 3. 6. 24. 35	»	»	»	— 40335—40359
		15	17329—17343	Oslo	Eidsfos	»	»	»	1H. 2. 3. 6. 24. 35	»	»	»	— 40360—40374
		10	17655—17664	Thm.	»	»	»	»	1H. 2. 3. 6. 24. 35	»	»	»	— 40375—40384
		50	17665—17714	»	Strømmen	1939	»	»	1H. 2. 3. 6. 24. 35	»	»	»	— 40385—40434
		25	20424—20448	Drm.	Eidsfos	»	»	»	1H. 2. 3. 6. 24. 35	»	»	»	— 40435—40459
		23	40460—40482	»	Skabo	1940	»	»	1H. 2. 3. 6. 24. 35	»	»	»	»
		2	40483, 40484	»	»	1941	»	»	1H. 2. 3. 6. 24. 35	»	»	»	»
		25	40485—40509	Oslo	»	»	»	»	1H. 2. 3. 6. 24. 35	»	»	»	»
		63	40510—40572	Brg.	Strømmen	»	»	»	1H. 3. 6. 24. 35	»	»	»	»
		29	40573—40601	Oslo	»	»	»	»	1H. 3. 6. 24. 35	»	»	»	»
		10	40658—40667	»	Skabo	»	»	»	1H. 3. 6. 24. 35	»	»	»	»
		13	40723—40735	Drm.	Eidsfos	»	»	»	1H. 3. 6. 24. 35	»	»	»	»
		32	40736—40767	»	»	1942	»	»	1H. 3. 6. 24. 35	»	»	»	»
		13	40768—40780	»	»	»	»	»	1H. 3. 6. 24. 35	»	»	»	»
		56	40602—40657	Oslo	Strømmen	»	»	»	1H. 3. 6. 24. 35	»	»	»	»
		40	40668—40707	»	Skabo	»	»	»	1H. 3. 6. 24. 35	»	»	»	»
		29	40963—40991	Thm.	Strømmen	»	»	»	1H. 3. 6. 24. 35	»	»	»	»
		45	40992—41036	»	»	1943	»	»	1H. 3. 6. 24. 35	»	»	»	»
		15	40708—40722	Oslo	Skabo	»	»	»	1H. 3. 6. 24. 35	»	»	»	»
		32	40781—40812	Drm.	Eidsfos	»	»	»	1H. 3. 6. 24. 35	»	»	»	»
		10	40853—40862	Hmr.	Skabo	»	»	»	1H. 3. 6. 24. 35	»	»	»	»
L 4	3	25	4134—4158	Oslo	»	1936	21,8	24,0	15. 21. 25	3989	8,4	20,0	Nye nr. 50000—50024
		20	20274—20293	Drm.	Eidsfos	1937	»	»	1H. 21. 24	»	»	»	— 50025—50044
		35	20339—20373	»	Strømmen	»	»	»	1H. 21. 24	»	»	»	— 50045—50079
		10	20876—20885	Krs.	»	1938	»	»	1H. 21. 24	»	»	»	— 50080—50089
		10	4159—4168	Oslo	»	1939	»	»	1H. 21. 24	»	»	»	— 50090—50099
Qf3	1	3	4986—4988	»	Strømmen	1940	»	13,8	1H. 3	2658	10,0	12,5	»
Qf4	1	5	4981—4985	»	Skabo	»	»	19,0	1H. 3. 24	4660	11,0	17,5	— 73000—73004
T 4	1	1	4299	»	»	1936	»	»	1. 3. 15. 24	3770+ 4081	»	»	Nytt nr. 60170
		15	4300—4314	»	»	1937	28,7	»	15. 21. 24	3770	8,5	20,0	Nye nr. 60171—60185
		20	4315—4334	»	»	1938	»	»	15. 21. 24	»	»	»	— 60186—60205
To 4	1	15	4936—4950	»	Strømmen	1936	45,9	»	3. 15	3400	17,8	40,0	— 60441—60455
		10	20294—20303	Drm.	Skabo	1937	»	»	3. 15	»	»	»	— 60456—60465
		10	20304—20313	»	»	1938	»	»	3. 15	»	»	»	— 60466—60475
		10	4365—4374	Oslo	»	»	»	»	1H. 3	»	»	»	— 60476—60485
Tl 4	1	10	4249—4258	»	»	1936	28,7	22,8	15. 21. 24	3770+ 4066	9,2	20,0	— 60206—60215

165
335
99
236

Litra	Type	Antall	Vogn nr.	Distrikt	Fabrikant	Bygge- år	Gulv- flate m. ²	Rom- innh. m. ³	Brems- er, oppvar- ming, belys- ning m. v. se side 6	Ho- ved- tegn.	Omtrentlig		Ann.													
											egen- vekt tonn	laste- evne tonn														
T14	1	40	4259—4298	Oslo	Skabo	1937	28,7	22,8	15. 21. 24	3770+	9,2	20,0	Nye nr. 60216—60255													
		30	20886—20915	Krs.	»	1938	»	»	15. 21. 24	4066	»	»	— 60256—60285													
		10	4335—4344	Oslo	»	»	»	»	15. 21. 24	»	»	»	— 60296—60305													
		20	4345—4364	»	»	1939	»	»	15. 21. 24	»	»	»	— 60306—60325													
		10	20916—20925	Krs.	»	»	»	»	15. 21. 24	»	»	»	— 60286—60295													
		33	17715—17747	Thm.	»	»	»	»	1H. 21. 24	»	»	»	— 60326—60358													
		10	4385—4394	Oslo	»	»	»	»	1H. 21. 24	»	»	»	— 60376—60385													
		17	17748—17764	Thm.	»	1940	»	»	1H. 21. 24	»	»	»	— 60359—60375													
		2	60386—60387	Oslo	Eidsfos	»	»	»	1H. 21. 24	3770+	»	»														
			28	60388—60415	»	»	1941	»	»	1H. 21. 24	4350	»	»													
		50	60496—60545	»	Skabo	1942	»	»	1H. 21. 24	»	»	»														
T104	1	10	60486—60495	»	Eidsfos	1940	45,9	41,2	1H. 3	3044+	20,5	38,0														
Z1	3	1	4962	»	»	1937			1. 3. 6. 15. 20. 24. 35. 40	3380	12,5*)															
		1	9960											Brg.	»	»	1. 3. 6. 15. 20. 24. 35. 40	»	»	*) Inkl. ballast.						
Oo4	2	2	74002. 74003	Oslo	»	1940		48,0	1H. 3	4670	21,0	38,0														
G1	3	1	15329	Drm.	»	1918	14,3	29,5	15. 21	oppr. 1421	7,0	10,0	{ Oppr. G-vogn, sm. sp Omb. til Rl-vogn, bredt spor. Omb. til G, Drm. 1940.													
G2	1	1	20614	»	»	1918	16,1	34,0	1. 21	1421+	7,0	10,0	Tidl. nr. 3084 og 3248, ommontert fra smalt spor Drm. distr. 1938. Ny vognkasse etter tegn. 376. Akselav- stand: 3 800 mm.													
		1	20648											»	»	1920	»	»	1. 21	376	»	»				
Gf2	1	5	6130—6134	Oslo	Skabo	1902	»	»	21	} 376*)	6,6	11,0	Vogner overtatt med Valdresbanen. *) med akselavstand 3500 mm.													
		1	6135											»	»	»	2. 6. 8. 21									
		2	6136, 6137											»	»	»	21									
		2	6138, 6139											»	»	»	2. 21									
		1	6140											»	»	»	2. 6. 21									
M1	1	1	6142	»	»	»	15,9	5,0	3	} 400	5,4	11,0	M nr. 6142 og N » 5152—6154 har bremsørsete.													
7	6143—6149	»	»											»	21											
MK1	2	2	6150, 6151	»	»	»	10,6	4,9	21	245	5,2	11,0														
N1	1	3	6152—6154	»	»	»	15,9	5,0	3	} 400*)	5,4	11,0														
		15	6155—6169											»	»	»	21									
L4	1	13	11368—11371	»	{	Innkjøpt fra Tyskland 1916	18,4	18,4	21. 24			8,5	20,0	Tidl. nr. 500049-500078 overtatt fra Bøhns- dalens Mills, Ltd.												
			11372, 11373												»	»	»	15. 21. 24								
			11374												»	»	»	21. 24								
			11375												»	»	»	15. 21. 24								
			11376—11378												»	»	»	21. 24								
			11379												»	»	»	15. 21. 24								
			11380												»	»	»	21. 24								
			2												2	11352, 11355	»	»	»	»	3. 24	»	»	»	»	
		Lf4	1												1	11351	»	»	»	»	»	3. 24		9,0	»	
															2	11353, 11354										
12	11356 11367			»	»	»	3. 24																			
Qf3	2	1	11301	»	{	Van der Zyperm & Charlier	1914	15,0	3. 24		10,7	13,0	Tidl. nr. 500079-500080 overtatt fra Østland- ske og Vestlandske Petroleumseco.													
		1	11302											»	»	»	3. 24									

Litra	Type	Antall	Vogn nr.	Distrikt	Ombygd ved	År	Gulv-	Rom-	Bremses, oppvarming, belysning m. v. se side 6	Hovedtegn.	Omtrentlig		Anm.					
							flate m. ²	innh. m. ³			egenvekt tonn	lastevne tonn						
Gv2	1	3	14180—14182	Brg.	Oslo distr.	1937-38	16,1	34,0	1. 5. 15. 21	4365	8,0	9,5	Tidl. G2, type 1.					
		8	14184	»	»	»	»	»	1. 5. 15. 21									
			14185	»	»	»	»	»	»					5. 15. 21				
			14186	»	»	»	»	»	»					1. 5. 15. 21				
			14187	»	»	»	»	»	»					5. 15. 21				
			14188—14190 14191	»	»	»	»	»	»					1. 5. 15. 21 5. 15. 21				
Gv3	1	1	3133	Oslo									Omb. til L3, type 2.					
H3	1	1	5528	Hmr.	Hmr. distr.	1936-37	13,0	26,6	1. 1KK. 3. 6. 20. 35	1218								
		1	5533	»	»	»	»	»	1KK. 3. 6. 20. 35									
		2	5544, 5546	»	»	»	»	»	1. 1KK. 3. 6. 20. 35									
		1	5548	»	»	»	»	»	1. 1KK. 3. 6. 20. 35									
		1	5558	»	»	»	»	»	1KK. 3. 6. 35									
		1	5559	»	»	»	»	»	1. 1KK. 3. 6. 35									
		1	5561	»	»	»	»	»	1KK. 3. 6. 35									
		1	10041	Thm.	»	»	»	»	»					1KK. 3. 6. 35				
		1	10043	»	»	»	»	»	»					1. 1KK. 3. 6. 35				
		1	10047	»	»	»	»	»	»					1KK. 3. 6. 35				
		1	14963	Brg.	»	»	»	»	»					1KK. 3. 6. 35				
		1	14981	»	»	»	»	»	»					1. 1KK. 3. 6. 35				
		1	3434	Oslo	»	»	»	12,8	26,2					1. 1KK. 3. 6. 35	1504			
		1	8444	Hmr.	»	»	»	»	»					1KK. 3. 6. 35				
		1	5562	»	»	»	1938-39	13,0	26,6					1. 1KK. 3. 6. 35		12,7	9,5*)	Tidl. Hf3, type 1.
		1	10049	Oslo	»	»	»	»	»					1KK. 3. 6. 35		»	»	*) Med fulle isbeholdere.
1	10067	Thm.	»	»	»	12,9	23,0	1KK. 3. 6. 35	»	14,0	8,0*)							
1	3470	Oslo	Drn. distr.	»	»	12,8	26,2	1. 1KK. 3. 6. 35	1504	»	»							
1	5537	Hmr.	Skabo	»	»	15,3	30,6	1. 1KK. 3. 6. 20. 35	1218 ¹⁾	11,5	11,0	Tidl. Hf3, type 1.						
1	5565	»	»	»	»	»	»	1. 1KK. 3. 6. 35	»	»	»	Tidl. Hf3, type 1.						
1	10048	Oslo	»	»	»	»	»	1. 1KK. 3. 6. 35	»	»	»	Kullsyreiskjøling.						
1	10052	»	»	»	»	»	»	1KK. 3. 6. 35	»	»	»	*) Med fulle isbeholdere.						
1	14959	Brg.	»	»	»	»	»	1. 1KK. 3. 6. 35	»	»	»	1) Nye vognkasser etter tegn. 4758.						
1	14980	»	»	»	»	»	»	1. 1KK. 3. 6. 35	»	»	»	»						
1	5563	Hmr.	Hmr. distr.	»	»	»	»	1. 1KK. 3. 6. 35	»	»	»	»						
1	14988	Brg.	»	»	»	»	»	1. 1KK. 3. 6. 35	»	»	»	»						
1	5556	Hmr.	»	»	»	»	»	1. 1KK. 3. 6. 35	»	»	»	{ Ny vognkasse. Kullsyreiskjøling.						
1	10072	Thm.	»	»	»	»	»	3. 6. 15. 35	1504 ¹⁾	»	»	Tidl. Hvf3, type 1. Kullsyreiskjøling.						
1	10051	Oslo	»	»	1939-40	13,0	26,6	1. 1KK. 3. 6. 35	1218	12,6	9,5*)	Tidl. Hf3, type 1.						
1	10058	Thm.	Oslo distr.	»	»	12,9	23,0	1. 1KK. 3. 6. 35	»	»	»	*) Med fulle isbeholdere.						
1	8448	Hmr.	»	»	»	12,8	26,2	1. 1KK. 3. 6. 35	1504	13,2	9,0*)	»						
1	14978	Brg.	Hmr. distr.	»	»	13,0	26,6	1. 1KK. 3. 6. 35	1218	12,6	9,5*)	»						
Hv1	1	1	8487	Hmr.	Brg. distr.	1941-42							Omb. til F, type 16.					
		1	14952	Brg.	»	»							Nye vognkasser. Nr. 8487 overført til Brg.					
Hv3	1	2	5571, 5577	Hmr.	Hmr. distr.	1936-37	12,8	26,2	1KK. 3. 6. 7. 35	1504								
		1	5578	»	»	»	»	»	1KK. 3. 6. 7. 35									
		2	5579, 5584	»	»	»	»	»	1. 1KK. 3. 6. 7. 35									
		2	5593, 5597	»	»	»	»	»	1. 1KK. 3. 6. 7. 35									
		1	5599	»	»	»	»	»	1. 1KK. 3. 6. 7. 35									
		1	15453	Drn.	»	»	»	13,0	26,6					3. 6. 7. 15. 35	1218			
		2	3438, 3450	Oslo	»	»	»	12,8	26,2					1. 1KK. 3. 6. 8. 35	1504			
		1	3444	Oslo distr.	»	»	»	»	»					1. 1KK. 3. 6. 8. 35	»			
		1	3457	»	»	»	»	»	»					1KK. 3. 6. 8. 35	»			
		1	3459	Drn. distr.	»	»	»	13,0	26,6					1. 3. 6. 7. 15. 35	»			
		1	3546	Oslo distr.	»	»	»	12,8	26,2					1KK. 3. 6. 8. 35	»			
		1	8434	Hmr.	Hmr. distr.	»	»	»	»					3. 6. 7. 15. 35	»			
		1	8437	»	»	»	»	»	»					1. 3. 6. 7. 15. 35	»			
2	8440, 8500	»	»	»	»	»	»	1. 3. 6. 7. 15. 35	»									
1	10064	Thm.	»	»	»	»	»	3. 6. 7. 15. 35	»									
1	3428	Oslo	Oslo distr.	»	»	»	»	3. 5. 7. 15. 35	»									
1	6972	»	»	»	»	»	»	1. 3. 6. 7. 15. 35	»									
1	20768	Drn.	»	»	»	»	»	1. 3. 6. 7. 15. 35	»									
													Tidl. Hf3, type 1.					

Sh. 1911
Sk. 1911
leidf. 1911
husjemot 1914/15
Sk. 1911
Sk. 1911
Sk. 1911
8449?
husjemot 1914/15
70 **33**

Tidl. G2, type 1.
Omb. til L3, type 2.
Tidl. Hf3, type 1.
Tidl. Hf3, type 1.
*) Med fulle isbeholdere.
*) Med fulle isbeholdere.
*) Med fulle isbeholdere.
1) Nye vognkasser etter tegn. 4758.
{ Ny vognkasse.
Kullsyreiskjøling.
Tidl. Hvf3, type 1.
Kullsyreiskjøling.
1) Ny vognkasse etter tegn. 4758.
Tidl. Hf3, type 1.
*) Med fulle isbeholdere.
Omb. til F, type 16.
Nye vognkasser.
Nr. 8487 overført til Brg.
Tidl. Hf3, type 1.

Litra	Type	Antall	Vogn nr.	Di- strikt	Ombygd ved	År	Gulv- flate	Rom- innh.	Bremsers, oppvarming, belysning m. v. se side 6	Ho- ved- tegn.	Omtrentlig		Anm.	
							m. ²	m. ³			egen- vekt tonn	laste- evne tonn		
L2	1	1	5270	Hmr.	Drm. distr.	1942-43	17,0	18,7	21	400 + D.10815	6,0	11,0	Tidl. N1, type 1.	
	2	1	17060	Oslo	»	1941-42	»	»	3	376 + D.10815	7,0	10,0	Tidl. Gf2, type 2.	
L3	2	2	6112, 6113	»	»	1940-41	»	»	21	»	6,6	16,0	} Tidl. G3, type 1.	
		1	8159	Hmr.	»	»	»	»	1. 6. 21	»	»	»		
		1	8189	»	Krs. distr.	»	»	»	2. 6. 21	»	»	»		
		1	8338	»	Drm. distr.	»	»	»	21	»	»	»		
		1	8383	»	»	»	»	»	21	»	»	»		
		1	17170	Oslo	»	»	»	»	1. 6. 21	»	»	»		
		2	20168, 20175	Drm.	»	»	»	»	1. 6. 21	»	»	»		
		1	3370	Oslo	Krs. distr.	1941-42	»	»	21	»	»	»		
		1	20184	Drm.	»	»	»	»	1. 6. 15. 21	»	»	»		
		1	3133	Oslo	Drm. distr.	1942-43	»	»	21	1519	»	»		
		1	8362	Hmr.	»	»	»	»	21	1519+ D.10815	»	»		
		1	15323	Drm.	»	»	»	»	21	»	»	»		
	5	4	2789—2792	Oslo	»	1936-43	18,4	20,2	21	2175+ D. 3073	7,5	15,0		Tidl. G3, type 1.
		2	2794, 2796	»	»	»	»	»	21	»	»	»		
		1	2799	»	»	»	»	»	21	»	»	»		
		2	6747, 6749	»	»	»	»	»	21	»	»	»		
		2	6753, 6754	»	»	»	»	»	21	»	»	»		
		3	6759—6761	»	»	»	»	»	21	»	»	»		
		8	6763—6770	»	»	»	»	»	21	»	»	»		
		8	15780—15787	Drm.	»	»	»	»	21	»	»	»		
		2	15793, 15795	»	»	»	»	»	21	»	»	»		
		3	15796—15798	»	»	»	»	»	21	»	»	»		
		1	15800	»	»	»	»	»	21	»	»	»		
		2	15803, 15804	»	»	»	»	»	21	»	»	»		
	6	2	11901, 11906	Oslo	Oslo distr.	»	21,1	27,5	2. 6. 21	ukjent	8,0	15,0	} Tidl. T3, type 2.	
		2	11909, 11915	»	»	»	»	»	2. 6. 21	»	»	»		
		1	11923	»	»	»	»	»	2. 6. 21	»	»	»		
		1	11925	»	»	»	»	»	6. 21	»	»	»		
		1	11929	»	»	»	»	»	6. 21	»	»	»		
		1	11932	»	»	»	»	»	2. 6. 21	»	»	»		
L4	2	1	11191	»	»	»	18,4	18,4	3. 15. 24	} Tidl. Lf4, type 1.				
		2	11194, 11195	»	»	»	»	»	3. 24					
		1	11198	»	»	»	»	»	3. 15. 24					
		1	11199	»	Thm. distr.	»	»	»	3. 24					
		1	11381	»	Oslo distr.	»	»	»	3. 24					
		1	11388	»	»	»	»	»	3. 15. 24					
		1	11394	»	»	»	»	»	3. 24					
		1	32142	Drm.	»	»	»	»	3. 24					
		1	32179	»	Brg. distr.	»	»	»	3. 24					
		2	32261, 32302	Oslo	Oslo distr.	»	»	»	3. 15. 24					
		1	32306	»	»	»	»	»	3. 24					
		1	32318	»	»	»	»	»	3. 15. 24					
		2	32337, 32348	»	»	»	»	»	3. 24					
		1	32475	Thm.	»	»	»	»	3. 24					
		1	32528	Brg.	»	»	»	»	3. 24					
		1	32532	»	»	»	»	»	3. 24					
		1	32588	»	Brg. distr.	»	»	»	3. 24					
		1	32600	Oslo	Oslo distr.	»	»	»	3. 24					
		1	32610	»	»	»	»	»	3. 15. 24					
		2	32641, 32662	»	»	»	»	»	3. 24					
				»	»	»	»	»	3. 15. 24					
Lk1	1	10	15685	Drm.	Eidsfos	1936	13,0	13,0	21	616 + 4181	6,4	11,0	} Tidl. L1, type 2.	
			15687—15695	»	»	»	»	»	21	»	»	»		
Lt2	3	30	4179—4193	Oslo	Skabo	1936-37	18,9	45,7	21	815 + 3858	7,0	10,0	} Tidl. N2, type 1.	
			4195, 4196	»	»	»	»	»	21	»	»	»		
			4198—4209	»	»	»	»	»	21	»	»	»		
			4217	»	»	»	»	»	21	»	»	»		
		7	4197	»	»	1942-43	»	»	15. 21	»	»	»	} Tidl. N2, type 1.	
			4212, 4214	»	»	»	»	»	21	»	»	»		
			4216, 4218	»	»	»	»	»	15. 21	»	»	»		
			4219, 4223	»	»	»	»	»	21	»	»	»		

Litra	Type	Antall	Vogn nr.	Distrikt	Ombygd ved	År	Gulvflate	Rominnh.	Brems, oppvarming, belysning m. v. se side 6	Hovedtegn.	Omtrentlig		Anm
							m. ²	m. ³			egenvekt tonn	lastevne tonn	
Lt2	3	5	4224	Oslo	Skabo	1942-43	18,9	45,7	21	815 + 3858	7,0	10,0	
			4225										
			4226										
			4227, 4228										
			5322										
			6427, 6429										
			6430										
			6432										
			6433										
			6434										
			6438										
			6443, 6444										
			6445										
			6446										
			6449										
			6457										
			6459										
			7550, 7555										
			7557, 7566										
			7567-7569										
			7574										
			9533										
			10853, 10854										
			10855										
			10858, 10864										
			10866, 10873										
			10877-10879										
			10890										
10896, 10897													
10901													
N2	2	3	4194	Oslo	Thm. distr. Drm. distr.	1931 1937-38	20,0	5,8	21	3070	6,5	10,5	Tidl. N2, type 1.
			3905, 3907										
			3919, 3921										
			3985										
			4001, 4022										
			4038										
			4041										
			8668, 8670										
			16453										
			3912, 3922										
			3934, 3966										
			4004, 4011										
			4084, 4090										
			3909, 3947										
			3969, 3972										
			8669										
			10997, 11000										
			16445, 16455										
			16460										
			16462, 16463										
			8659, 8665										
			16454										
			3973, 4031										
			4086										
			3941, 3950										
			4005										
			8656										
			NP2										
12544, 12545													
16313-16326													
16328-16344													
16346-16348													
16350-16364													
5305-5314													
5317, 5318													

10701

1908

Litra	Type	Antall	Vogn nr.	Distrikt	Ombygd ved	År	Gulvflate	Rominnh.	Bremsr. oppvarming, belysning m. v. se side 6	Hovedtegn.	Omtrentlig		Anm.		
							m. ²	m. ³			egenvekt tonn	lastevne tonn			
S3	1	1	20770	Drm.	Drm. distr.	1938-39	18,0	36,7	1. 3. 6. 8. 15	2275*)	11,0	11,5	*) + skisse dat. 12/7 29. Tidl. Sf3, type 1.		
		1	20252			»	»	»	»					1H. 3. 6. 8. 40	
		1	20771			»	»	1939-40	»					»	1. 3. 6. 8. 15
		1	20251			»	»	»	»					»	1H. 3. 6. 8. 40
		1	20257			»	»	»	»					»	1. 3. 6. 8. 15
Tf3	1	1	6826	Oslo	»	1936-37	21,3	17,0	3	1458+ 2140	8,6	15,0	Tidl. Tf3, type 1.		
		1	10944			Thm.	»	»	»					3	
		2	10951, 10956			»	Oslo distr.	»	»					»	3
		1	10958			»	»	»	»					»	3
		2	6884, 6885			Oslo	Drm. distr.	»	»					»	3
		1	6887			»	Oslo distr.	»	»					»	3
		1	16492			Drm.	Drm. distr.	»	»					»	3
		1	6827			Oslo	Oslo distr.	1937-38	»					»	3
		2	6828, 6882			»	Drm. distr.	»	»					»	3
		1	6879			»	Oslo distr.	1938-39	»					»	3
		1	6830			»	Hmr. distr.	»	»					»	3
		2	10943, 10972			Thm.	»	»	»					»	3
1	6834	Oslo	Oslo distr.	1939-40	»	»	3								
2	6890, 6892	»	»	»	»	»	3								
Tfo3	1	1	4926	»	Drm. distr.	1935	36,4	32,8	3	2895+ 2896	17,0	29,0	Tidl. Tfo3, type 1.		
Tso2	2	1	17164	»	Strømmen	1942			3. 15	768 + Strøm- men B. 17687	10,1		Tidl. To1, type 1.		

Utrangerte vogner:

Litra	Type	Antall	Vogn nr.	Distrikt	Litra	Type	Antall	Vogn nr.	Distrikt	Litra	Type	Antall	Vogn nr.	Distrikt	
G1	1	2	2051, 2075	Oslo Hmr.	G1	4	10	1035, 1038	Oslo	Gf2	1	4	8109, 8118	Hmr.	
		1	5071					1081, 1089					8120, 8142		Thm.
		3	15097, 15098 15109					1091, 1093 1095, 1097 1098, 1099					10159 14065		Brg.
	2	30	1102	Oslo	G2	1	19	1168, 1176	Oslo	Gf3	3	1	5673	Thm. Oslo	
			1107-1109					2926, 2930					6292		
			1111, 1115					2931, 2962							
			1124, 1126					3180, 3189							
			1132, 1133					3203, 3205							
			1140, 1141					3226, 3236							
			1145, 1146					3265, 3281							
			1148, 1151					3282, 3286							
			2032, 2033					3287							
			2035, 2040					3302, 3303							
			2045												
			2093-2095												
			2098, 2100												
			2106												
			7053, 7055												
	7062														
	21		8051, 8053	Hmr.	G3	1	2	3157, 3171	Oslo Hmr.	Hv2	1	2	2123, 2124	Oslo	
			8056-8058					5439							
8061, 8063			15125, 15272												
8066															
8068-8072															
8074-8076															
3		8080-8082	Thm. Hmr.	G4	1	1	20153, 20790	Oslo	Hv3	1	1	14946	Brg.		
		8083, 8085					31039					10066			
		10295, 10297													
1		8407	Drm.	G4	1	1	20327 (40233)	Drm.	K1	2	4	1379, 1387 1388, 1391	Oslo		
		15330, 15338													

Forandringer, rettelser og tilføyelser:

Litra	Type	Antall	Vogn nr.	Distrikt	Fabrikant	Bygge- år	Gulv- flate m. ²	Rom- innh. m ³	Brems- oppvarming, belysning m. v. se side 6	Ho- ved- tegn.	Omtrentlig		Anm.
											egen- vekt tonn	laste- evne tonn	
G1	1	1	2054	Oslo									Omb. til RI » » » for Oslo. » » » » » »
		2	15081, 15177	Drn. Oslo									
	2	1	1158	»									
		2	2050, 2103	»									
4	1	1	1036	»									
G2	1	2	1169, 1170	»					6. 21				
		1	1177	»					6. 21				
		2	1189, 1191	»						1. 6. 15. 21			
		5	1193—1197	»						1. 6. 15. 21			
		3	1199—1201	»						1. 6. 15. 21			
		1	1202	»						6. 15. 21			
		2	1203, 1205	»						1. 6. 15. 21			
		2	1206, 1207	»						6. 15. 21			
		3	1208—1210	»						1. 6. 15. 21			
		2	1212, 1213	»						6. 15. 21			
		3	1214—1216	»						1. 6. 15. 21			
		3	1218—1220	»						1. 6. 15. 21			
		2	1221, 1222	»						6. 15. 21			
		2	1224, 1228	»						6. 15. 21			
		1	1230	»						1. 6. 15. 21			
		2	1231, 2935	»						6. 15. 21			
		1	2937	»						6. 21			
		1	2938	»						6. 15. 21			
		1	2942	»						6. 21			
		2	3181, 3191	»						6. 15. 21			
		1	3198	»						2. 6. 15. 21			
		2	3200, 3207	»						6. 15. 21			
		1	3209	»						2. 6. 15. 21			
		2	3210, 3213	»						6. 15. 21			
		2	3227, 3229	»						2. 6. 15. 21			
		2	3241, 3246	»						6. 21			
		2	3250, 3252	»						2. 6. 15. 21			
		2	3253, 3256	»						6. 21			
		1	3288	»						6. 15. 21			
		1	3289	»						1. 6. 15. 21	9,5*)	8,0	{*) Inkl. ballast Støpt golv.
		1	3296	»						1. 6. 15. 21.			
		2	3305, 3307	»						6. 21			
		1	5090	Hmr.						15. 21			
		1	6072	Oslo						6. 25.15. 21			
		2	6076, 6079	»						6. 21			
1	6140	»						2. 6. 15. 21					
2	8087, 8093	Hmr.						6. 21					
2	8121, 8129	»						1. 6. 15. 21					
1	8132	»						6. 15. 21					
1	8135	»						6. 21					
2	9230, 9231	Brg.						1. 15. 21					
1	9233	»						15. 21					
1	9235	»						1. 15. 21					
1	9238	»						15. 21					
5	9240—9244	»						1. 15. 21					
1	9248	»						1. 15. 21. 40	9,3*)	8,0	{*) Inkl. ballast Støpt golv.		
2	10314, 10323	Thm.						1. 6. 15. 21					
3	14169—14171	Brg.						1. 15. 21					
1	14173	»						21					
1	14183	»						1H. 6. 21. 40					
1	14192	»						1H. 2. 6. 21. 40					
1	14193	»						1. 6. 15. 21					
1	14194	»						1H. 2. 6. 21. 40					
1	14195	»						1. 6. 15. 21					
G3	1	1	2088	Oslo					15. 21				
		2	2943, 2946	»					2. 6. 15. 21				
		1	2947	»					6. 15. 21				
		1	2948	»					2. 6. 15. 21				
		3	3053—3055	»					1. 6. 15. 21				
		2	3057, 3058	»					1. 6. 15. 21				
		2	3060, 3061	»					1. 6. 15. 21				
1	3063	»					6. 21						

Litra	Type	Antall	Vogn nr.	Distrikt	Fabrikant	Bygge- år	Gulv-	Rom-	Brems- oppvarming, belysning m. v. se side 6	Ho- ved- tegn.	Omtrentlig		Anm.
							flate m. ²	innh. m. ³			egen- vekt tonn	laste- evne tonn	
G3	1	2	3064, 3065	Oslo					6. 15. 21				
		1	3067		»			6. 15. 21					
		1	3068		»			1. 6. 15. 21					
		2	3072, 3073		»			2. 6. 15. 20. 21					
		1	3074		»			6. 15. 20. 21					
		3	3078—3080		»			2. 6. 15. 20. 21					
		1	3087		»			2. 15. 21					
		1	3103		»			15. 21					
		1	3104		»			2. 15. 21					
		1	3114		»			2. 15. 21					
		1	3126		»			2. 6. 15. 21					
		1	3127		»			6. 21					
		1	3128		»			6. 15. 21					
		1	3129		»			2. 6. 15. 21					
		1	3131		»			6. 15. 21					
		1	3150		»			2. 15. 21					
		1	3172		»			1H. 6. 21					
		4	3173—3176		»			1H. 2. 6. 21					
		1	3177		»			1H. 6. 21					
		1	3178		»			1H. 2. 6. 21 40					
		5	3314—3318		»			15. 21					
		2	3320, 3322		»			15. 21					
		2	3323, 3325		»			15. 21					
		2	3327, 3331		»			15. 21					
		1	3333		»			2. 15. 21					
		2	3346, 3347		»			15. 21					
		1	3348		»			1H. 21					
		2	3350, 3351		»			15. 21					
		4	3355—3358		»			15. 21					
		2	3360, 3361		»			1H. 2. 6. 21. 39					
		1	3363		»			15. 21					
		1	3365		»			1H. 21					
		2	3366, 3367		»			15. 21					
		1	3368		»			1H. 21					
		2	3369, 3371		»			15. 21					
		1	3372		»			1H. 21					
		1	3375		»			15. 21					
		2	3376, 3379		»			1H. 21					
		2	3380, 3382		»			1H. 21					
		1	3384		»			1H. 21					
		1	3385		»			6. 15. 21					
		2	3386, 3388		»			1. 6. 15. 21					
		1	3389		»			6. 8. 15. 21					
		1	3390		»			1. 6. 15. 21					
		1	3392		»			6. 15. 21					
		2	3393, 3394		»			1. 6. 15. 21					
		1	3580		»			1. 1H. 6. 21					
		1	3581		»			1H. 6. 21					
		1	3582		»			1. 6. 15. 21					
		1	3583		»			1. 1H. 6. 21					
		7	3584—3590		»			1. 6. 15. 21					
		2	3591, 3592		»			6. 15. 21					
		5	3593—3597		»			1. 6. 15. 21					
		1	3598		»			1. 1H. 6. 21					
		1	3599		»			1. 6. 15. 21					
		2	5437, 5438		»			1. 6. 15. 21					
		2	5440, 5441		»			1. 6. 15. 21					
		1	5442		»			6. 15. 21					
		1	5443		»			6. 21					
		3	5444—5446		»			1. 6. 15. 21					
		1	5447		»			6. 15. 21					
3	5448—5450	»			1. 6. 15. 21								
1	5451	»			6. 15. 21								
5	5452—5456	»			1H. 21								
1	5458	»			6. 15. 21								
3	5460—5462	»			1H. 21								
3	5464—5466	»			1H. 21								
5	5636—5640	»			15. 21								
2	5641, 5642	»			1H. 21								
1	5643	»			15. 21								
1	5644	»			1H. 21								
2	5646, 5649	»			15. 21								
1	5651	»			1H. 21								

Litra	Type	Antall	Vogn nr.	Distrikt	Fabrikant	Bygge- år	Gulv- flate	Rom- innh.	Brems- oppvarming, belysning m. v. se side 6	Ho- ved- tegn.	Omtrentlig		Anm.	
							m. ²	m. ³			egen- vekt tonn	laste- evne tonn		
G3	1	1	5652	Thm.					15. 21					
		1	5653						»					2. 15. 21
		2	5655, 5656						»					15. 21
		2	5657, 5658						»					1H. 21
		1	5659						»					15. 21
		1	5660						»					1H. 21
		1	5661						»					15. 21
		2	5662, 5663						»					1H. 21
		1	5664						»					15. 21
		1	5665						»					1H. 21
		1	6110						Oslo Hmr.					15. 21
		10	8149—8158											15. 21
		2	8160, 8161						»					1. 6. 15. 21
		1	8162						»					2. 6. 15. 21
		1	8163						»					6. 8. 15. 21
		1	8164						»					6. 15. 21
		2	8166, 8167						»					2. 6. 15. 21
		2	8170, 8172						»					2. 6. 15. 21
		2	8173, 8175						»					2. 6. 15. 21
		1	8176						»					6. 15. 21
		1	8177						»					6. 15. 21
		2	8179, 8183						»					2. 6. 15. 21
		2	8184, 8186						»					6. 15. 21
		1	8188						»					2. 6. 15. 21
		2	8190, 8191						»					6. 8. 15. 21
		1	8193						»					2. 6. 15. 21
		2	8197, 8198						»					6. 15. 21
		2	8290, 8291						»					1H. 21
		2	8293, 8296						»					1H. 21
		3	8297—8299						»					1H. 21
		1	8316						»					1H. 21
		1	8317						»					1H. 21
		4	8318—8321						»					15. 21
		2	8322, 8323						»					1H. 21
		1	8325						»					15. 21
		2	8326, 8327						»					15. 21
		1	8328						»					1H. 21
		1	8329						»					15. 21
		2	8330, 8331						»					1H. 21
		1	8332						»					15. 21
		1	8333						»					2 15. 21
		1	8334						»					1H. 21
		1	8336						»					15. 21
		2	8337, 8339						»					1H. 21
		1	8340						»					15. 21
		1	8341						»					1H. 21
		2	8343, 8344						»					15. 21
1	8345	»	15. 21											
1	8346	»	2. 15. 21											
1	8347	»	15. 21											
1	8348	»	1H. 21											
1	8349	»	15. 21											
1	8350	»	1H. 21											
2	8351, 8352	»	2. 15. 21											
1	8355	»	15. 21											
2	8356, 8357	»	15. 21											
1	8359	»	1H. 21											
2	8360, 8361	»	15. 21											
2	8363, 8364	»	1H. 21											
1	8365	»	15. 21											
1	8366	»	1H. 21											
2	8367, 8368	»	15. 21											
1	8369	»	1H. 21											
1	8370	»	15. 21											
5	8378—8382	»	1H. 21											
2	8386, 8387	»	15. 21											
1	8390	»	15. 21											
1	8391	»	15. 21											
1	8393	»	1H. 21											
1	8396	»	1H. 2. 21											
1	8398	»	15. 21											
1	8399	»	1H. 21											
1	8400	»	15. 21											

Litra	Type	Antall	Vogn nr.	Distrikt	Fabrikant	Bygge år	Gulv- flate	Rom- innh.	Bremsar, oppvarming, belysning m. v. se side 6	Ho- ved- tegn.	Omtrentlig		Aum.
											egen- vekt	laste- evne	
G3	1	1	8401	Hmr.					15. 21				
		2	8423, 8424	»					1H. 21				
		1	8426	»					1H. 21				
		2	8429, 8430	»					1H. 21				
		2	10208, 10209	Thm.					15. 21				
		1	10211	»					15. 21				
		5	10212—10216	»					1H. 21				
		1	10218	»					15. 21				
		1	10219	»					1H. 21				
		1	10222	»					15. 21				
		1	10223	»					1H. 21				
		2	10224, 10225	»					15. 21				
		1	10226	»					1H. 21				
		3	10227—10229	»					15. 21				
		1	10230	»					1H. 2. 21				
		1	10232	»					1H. 21				
		2	10339, 10340	»					1. 6. 15. 21				
		1	10341	»					6. 15. 21				
		1	10342	»					1. 6. 15. 21				
		2	10343, 10344	»					6. 15. 21				
		1	10345	»					1. 1H. 6. 21				
		1	10346	»					1. 6. 15. 21				
		1	10347	»					6. 15. 21				
		1	10348	»					1. 6. 15. 21				
		1	10349	»					6. 15. 21				
		5	10350—10354	»					1. 6. 15. 21				
		1	10356	»					6. 21				
		2	10357, 10358	»					1. 6. 15. 21				
		1	12171	»					1. 6. 15. 21				
		1	12172	»					1. 1H. 6. 21				
		2	12173, 12174	»					1. 6. 15. 21				
		1	12175	»					1. 1H. 6. 21				
		1	12176	»					1. 6. 15. 21				
		2	12177, 12178	»					6. 15. 21				
		1	12179	»					1. 6. 15. 21				
		1	12180	»					1. 1H. 6. 21				
		2	14108, 14110	Brg.					6. 15. 21				
		1	14111	»					6. 21				
		1	14112	»					1. 6. 15. 21				
		1	14113	»					6. 21				
		3	14114—14116	»					1. 6. 15. 21				
		2	14118, 14119	»					1. 6. 15. 21				
		1	14120	»					6. 15. 21				
		2	14122, 14124	»					1. 6. 15. 21				
		2	14126, 14127	»					1. 6. 15. 21				
		1	14197	»					1. 6. 15. 21				
		1	14198	»					1. 1H. 6. 21				
		1	14199	»					6. 15. 21				
		1	14200	»					6. 15. 21				
		2	14201, 14202	»					1. 6. 15. 21				
		1	14203	»					6. 8. 15. 21				
		1	14204	»					6. 15. 21				
		1	14205	»					1. 1H. 6. 21				
		1	14206	»					1. 6. 15. 21				
		1	14207	»					6. 15. 21				
		4	14208—14211	»					1. 6. 15. 21				
		3	14213—14215	»					1. 6. 15. 21				
		4	14218—14221	»					1. 6. 15. 21				
		2	14222, 14223	»					1H. 21				
		3	14224—14226	»					1H. 21				
		2	15193, 15195	Drn.					6. 15. 21				
		1	15196	»					6. 8. 15. 21				
		1	15197	»					1. 6. 15. 21				
		1	15198	»					6. 8. 15. 21				
		1	15199	»					1. 6. 15. 21				
		1	15200	»					6. 15. 21				
		2	15201, 15202	»					1. 6. 15. 21				
		1	15203	»					6. 15. 21				
		2	15204, 15207	»					1. 6. 15. 21				
		2	15209, 15210	»					1. 6. 15. 21				
		1	15216	»					2. 15. 21				
		2	15226, 15228	»					15. 21				
		2	15230, 15232	»					15. 21				

Litra	Type	Antall	Vogn nr.	Distrikt	Fabrikant	Bygge- år	Gulv-	Rom-	Brems- oppvarming, belysning m. v. se side 6	Ho- ved- tegn.	Omtrentlig		Anm.		
							flate	innh.			egen- vekt	laste- evne			
							m. ²	m. ³			tonn	tonn			
G3	1	2	15239, 15240	Drm.					15. 21						
		2	15248, 15249		»				15. 21						
		12	15258—15269		»					1. 6. 15. 21					
		1	15270		»					6. 8. 15. 21					
		1	15271		»					1. 1H. 6. 21					
		2	15273, 15274		»					1. 6. 15. 21					
		1	15276		»					1. 6. 15. 21					
		1	15277		»					6. 15. 21					
		10	15278—15287		»					15. 21					
		1	15288		»					1H. 2. 21					
		14	15289—15302		»					15. 21					
		1	15304		»					15. 21					
		2	15305, 15306		»					1H. 21					
		3	15307—15309		»					15. 21					
		1	15312		»					15. 21					
		1	15314		»					1H. 21					
		1	15315		»					15. 21					
		2	15316, 15317		»					1H. 21					
		5	15318—15322		»					15. 21					
		3	15324—15326		»					15. 21					
		1	15328		»					1H. 21					
		2	15355, 15357		»					1H. 21					
		1	15358		»					1H. 21					
		1	15360		»					15. 21					
		5	15363—15367		»					1H. 21					
		2	15369, 15371		»					1H. 21					
		1	15374		»					1H. 21					
		3	15383—15385		»					1. 6. 15. 21					
		1	15386		»					6. 8. 15. 21					
		1	15387		»					6. 15. 21					
		2	15388, 15389		»					1. 6. 15. 21					
		1	15390		»					6. 15. 21					
		3	15391—15393		»					1. 6. 15. 21					
		3	15395—15397		»					6. 15. 21					
		1	15398		»					1. 6. 15. 21					
		2	15399, 15400		»					6. 15. 21					
		2	15401, 15402		»					1. 6. 15. 21					
		1	17169		Oslo						1. 6. 15. 21				
		1	17171			»					1H. 6. 21				
		3	17172—17174			»					1. 6. 15. 21				
		1	17176			»					6. 15. 21				
		3	17177—17179		»					1. 6. 15. 21					
		2	17181, 17182		»					1. 6. 15. 21					
		1	17501		Thm.						15. 21				
		4	17502—17505			»					1H. 21				
		1	17506			»					2. 15. 21				
		1	17507			»					15. 21				
		1	17508			»					1H. 21				
		1	17509			»					15. 21				
		2	20151, 20152		Drm.						1. 6. 15. 21				
		1	20154			»					6. 15. 21				
		1	20156			»					1. 6. 15. 21				
2	20158, 20159	»						1. 6. 15. 21							
2	20161, 20162	»						1. 6. 15. 21							
2	20163, 20165	»						6. 15. 21							
2	20166, 20167	»						1. 6. 15. 21							
3	20169—20171	»						1. 6. 15. 21							
1	20172	»						6. 15. 21							
2	20173, 20174	»						1. 6. 15. 21							
3	20176—20178	»						1. 6. 15. 21							
1	20179	»						1H. 6. 21							
1	20180	»						6. 15. 21							
2	20181, 20182	»						1. 6. 15. 21							
1	20185	»						1. 6. 15. 21							
3	20188—20190	»						6. 15. 21							
3	20192—20194	»						1. 6. 15. 21							
1	20196	»						1. 6. 15. 21							
2	20197, 20198	»					6. 15. 21								
1	20200	»					1. 6. 15. 21								
2	20777, 20778	»					1. 6. 15. 21								
3	20780—20782	»					1. 6. 15. 21								
1	20784	»					6. 15. 21								
3	20786—20788	»					1. 6. 15. 21								

Litra	Type	Antall	Vogn nr.	Distrikt	Fabrikant	Bygge- ar	Gulv- flate	Rom- innh.	Brems- oppvarming, belysning m. v. se side 6	Ho- ved- tegn.	Omtrentlig		Anm.	
											egen- vekt	laste- evne		
											tonn	tonn		
G 3	1	1	20789	Drn.					6. 15. 21					
		2	20791, 20792	"					6. 15. 21. 40					
		2	20793, 20794	"					1. 6. 15. 21. 40					
		1	23077	"					1. 1H. 6. 21					
		1	23078	"					1. 6. 15. 21					
		1	23079	"					6. 21					
	2	1	31033	Oslo				15. 24						
G 4	1	1	15413	Drn.					6. 15. 21. 24. 35					
		1	15421	"					2. 6. 15. 21. 24. 25. 40					
		1	15423	"					6. 15. 21. 24. 35. 40					
		1	15424	"					6. 15. 21. 24. 35					
		1	15426	"					6. 15. 21. 24. 35. 40					
		1	15427	"					2. 6. 15. 21. 24. 35. 40					
		2	15428, 15432	"					6. 15. 21. 24. 35					
		1	15434	"					2. 6. 15. 21. 24. 35. 40					
		1	15435	"					6. 15. 21. 24. 35					
		1	15436	"					2. 6. 15. 21. 24. 35. 40					
		1	15438	"					6. 15. 21. 24. 35. 40					
		1	15439	"					2. 6. 15. 21. 24. 35. 40					
		1	15442	"					6. 15. 21. 24. 35					
		2	15444, 15445	"					6. 15. 21. 24. 35					
		1	15497	"					1. 3. 6. 15. 24. 35. 40					
		2	17184, 17188	Oslo					1KK. 3. 6. 24. 35					
		1	17194	"					1KK. 3. 6. 24. 35					
		1	17210	"					1H. 3. 6. 24. 35					
		2	17233, 17239	"					3. 6. 15. 24. 35					
		1	17243	"					3. 6. 15. 24. 35					
		2	17254, 17263	"					1H. 3. 6. 24. 35					
		1	17290,	"					1H. 3. 6. 24. 35					
		6	17329—17334	"					1H. 2. 3. 6. 24. 35. 40					
		2	17335, 17336	"					1H. 3. 6. 24. 35. 40					
		2	17337, 17338	"					1H. 2. 3. 6. 24. 35. 40					
		1	17652	Thm.					1H. 3. 6. 24. 35					
		2	20316, 20318	Drn.					1H. 3. 6. 24. 35					
		2	20377, 20383	"					1H. 3. 6. 24. 35					
1	20410	"					1H. 3. 6. 24. 35							
2	20423, 20424	"					1H. 3. 6. 24. 35							
2	20860, 20861	Krs.					1H. 3. 6. 24. 35							
1	40462	Drn.										Innredn. for syketransp.		
Gf2	1		Samtl. vogner										{Antall mann 40. " hester 8.	
		1	3455	Oslo					3. 6. 15. 20. 35					
		1	6252	"					3. 6. 15. 20. 35					
		2	6254, 6255	"					3. 6. 15. 20. 35					
		1	6272	"					3. 15					
		1	8115	Hmr.					3. 6. 20					
		1	8119	"					3. 6					
		1	8148	"					3. 6. 20					
		2	1	14062	Brg.					3. 6				
		2	14073, 14081	"						3. 6				
		1	17052	Oslo						3. 15				
		3	1	2113	"					3. 8. 13. 15				
		2	2831, 2836	"						3. 8. 13. 15				
		1	6271	"						3. 8. 13. 15				
		2	14054, 14055	Brg.						1. 3. 8. 13. 15				
		1	14056	"						3. 8. 13. 15				
		4	2	11101, 11102	Oslo									
2	11104, 11106	"						1. 3. 6. 8. 15						
Gf3	1	1	6277	"					2. 3. 5. 15					
		1	6280	"					3. 15					
		3	1	14092	Brg.					3. 6				
		1	23065	T.P.B.						3. 15. 40				
		7	23068—23074	"										
1	10202	Thm.						3. 15				Overført til Drn.		
Gfo2	1	2	6201, 6202	Oslo		1905								
		1	6204	"										
		1	14104	Brg.										
		1	6206	Oslo						1H. 3. 8. 13				{Ballast + VV = 27 t. }last = 8 t. Omb. til Ro.

Litra	Type	Antall	Vcgn nr.	Distrikt	Fabrikant	Bygge- år	Gulv- flate	Rom- innh.	Brems- er, oppvarm- ing, belysning m. v. se side 6	Ho- ved- tegn.	Omtrentlig		Anm.		
							m. ²	m. ³			egen- vekt tonn	laste- evne tonn			
Gfo2	1	1	6207	Oslo					1H. 3. 8. 13.				Omb. til Rlo.		
		2	10191, 10194	Thm.					2. 3. 6. 8. 13. 15				Omb. til Ro for Oslo. Ikke Drm.		
		1	12183	»					1H. 2. 3. 6. 8. 13. 40						
		2	10195, 10196	»					2. 3. 8. 13						
		1	20764	Drm.					1. 3. 6. 8. 13				Omb. til Ro. {Ballast + VV = 30,0 t. {last = 2,0 t.		
		2	1	5706	Thm.										
			1	5711	»										
			2	5713, 5714	»				27,1	57,6	1. 3. 6. 8. 13. 15				
			1	5715	»				»	»	3. 6. 8. 13				
			1	14128	Brg.				»	»	1. 3. 6. 8. 13				{Ballast + VV = 27,0 t. {last = 8,0 t.
	3	1	14129	»				»	»	1. 3. 6. 8. 13					
		1	14130	»				»	»						
		1	3395	Oslo						1. 3. 6. 8. 13. 15					
		4	10235—10238	Thm.						1. 3. 6. 8. 13. 15					
		1	10239	»						3 6. 8. 13. 15					
		1	10241	»						1. 3. 6. 8. 13. 15					
		1	10244	»						1. 3. 6. 8. 13. 15				{Ballast + VV = 30,7 t. {last = 4,3 t.	
		1	14139	Brg.										{Ballast + VV = 27,0 t. {last = 8,0 t.	
		1	14141	»										do. do.	
		1	14144	»						3. 6. 8. 13. 15				{Ballast + VV = 33,0 t. {last = 2,0 t.	
Gv1	1	1	15123	Drm.									Omb. til Rl for Oslo.		
		1	15126	»					8. 15. 21						
		1	15132	»									Omb. til Rc for Brg. » » Rl » Oslo.		
		1	15144	»											
		1	9250	Brg.	Skabo	1909	16,1	34,0	1. 21		376		{Ovn uttatt. Litra for- {andret til G2, type 1.		
	1	1	1232	Oslo					6. 8. 21						
		4	1234—1237	»					6. 8. 15. 21						
		1	1241	»					6. 8. 15. 21						
		1	3100	»	Skabo	1908	»	»	21				{Ovn uttatt. Litra for- {andret til G3, type 1.		
		1	6096	»	Eidsfos	1909	»	»	21				{Ovn uttatt. Litra for- {andret til G3, type 1.		
Gv3	1	1	3328	»	»	1910	»	»	21				{Ovn uttatt. Litra for- {andret til G3, type 1.		
		1	2115	»	Strømmen	1897	»	»	3				{Ovn uttatt. Litra for- {andret til Gf2, type 1.		
		1	2837	»	Skabo	1899	»	»	3				Omb. til Rc.		
Gvf2	1	1	8107	Hmr.					3. 8						
		1	5531, 5536	»					lkk. 3. 6. 20. 35						
H3	1	2	5547, 5549	»					lkk. 3. 6. 20. 35						
		1	5557	»					lkk. 3. 6. 35						
		2	10046, 10054	Thm.						lkk. 3. 6. 25					
		1	14960	Brg.						lkk. 3. 6. 35					
		2	14965, 14966	»						lkk. 3. 6. 35					
		2	14974, 14979	»						lkk. 3. 6. 35					
		2	14982, 14984	»						lkk. 3. 6. 35					
		2	14987, 14990	»						lkk. 3. 6. 35					
		2	14991, 14992	»						lkk. 3. 6. 35					
		1	14994	»						lkk. 3. 6. 35					
		1	3449	Oslo						lkk. 3. 6. 35					
		Hf3	1	1	5545	Hmr.					lkk. 3. 6. 20. 35				
				1	5570	»					lkk. 3. 6. 35				
				1	10053	Oslo						lkk. 3. 6. 35			
				1	14972	Brg.						lkk. 3. 6. 35			
1	14986			»						lkk. 3. 6. 35					
2	3469, 3536			Oslo						lkk. 3. 6. 35					
2	3548			»						lkk. 3. 6. 35					
1	8449, 8490			Hmr.						lkk. 3. 6. 35					

Litra	Type	Antall	Vogn nr.	Distrikt	Fabrikant	Bygge- år	Gulv- flate	Rom- innh.	Brems- oppvarming, belysning m. v. se side 6	Ho- ved- tegn.	Omtrentlig		Anm.		
							m. ²	m. ³			egen- vekt tonn	laste- evne tonn			
Hv1	1	1	5505	Hmr.					6. 7. 15. 21						
		1	8468	"					6. 8. 21						
		1	14951	Brg.					6. 8. 15. 21						
		1	14953	"					1. 6. 8. 15. 21						
		2	3505, 3510	Oslo					6. 8. 15. 21. 35						
		2	3512, 3518	"					6. 8. 15. 21. 35						
		2	3524, 3525	"					6. 8. 15. 21. 35						
		1	8472	Hmr.					6. 8. 21						
		2	8476, 8481	"					1. 6. 8. 15. 21						
		1	8486	"					6. 8. 15. 21						
		1	8488	"					6. 8. 21						
		2	3472, 3473	Oslo					6. 7. 15. 21. 35						
		1	3482	"					6. 7. 15. 21. 35						
		2	3484, 3485	"					6. 7. 15. 21. 35						
		1	3487	Thm.					6. 7. 15. 21. 35						
		2	3490, 3491	Oslo					6. 7. 15. 21. 35						
		1	3494	"					6. 7. 15. 21. 35						
		1	3495	Thm.					6. 7. 15. 21. 35						
		1	3500	Oslo					6. 7. 15. 21. 35						
		1	5516	Hmr.					6. 7. 21						
1	5517	"					1. 6. 7. 15. 21								
2	5522, 5525	"					6. 7. 21								
1	14956	Brg.					6. 7. 15. 21								
Hv2	1	1	6902	Oslo				6. 7. 15. 21							
		1	8462	Hmr.				6. 7. 15. 21							
		2	8463, 8464	"				6. 7. 15. 21							
		1	8466	"				6. 7. 15. 21							
		1	2122	Oslo				6. 7. 15. 21. 35							
		1	12912	Thm.				6. 7. 15. 21							
Hv3	1	1	3436	Oslo				1KK. 3. 6. 8. 35							
		1	3466	"				3. 6. 7. 15. 35							
		1	23064	T.P.B.					1. 3. 6. 7. 15. 35. 40						
		1	14999	Brg.					3. 6. 7. 15. 35						
		2	3429, 3430	Oslo					1KK. 3. 6. 7. 35						
		1	6976	"					3. 6. 7. 15. 35						
		1	14946	Brg.					3. 6. 7. 15. 35						
		1	17090	Oslo					3. 6. 7. 15. 35						
		1	23081	T.P.B.					1. 3. 6. 7. 15. 35. 40						
1	20262	Drm.					3. 6. 7. 15. 35								
Hv13	1	1	3458	Oslo				3. 5. 7. 15. 35							
		2	3539, 3541	"				1KK. 3. 6. 8. 35							
		1	3547	"				1KK. 3. 6. 8. 35							
		1	8491	Hmr.					3. 6. 7. 15. 35						
		2	10059, 10060	Thm.					3. 6. 7. 15. 35						
		2	10063, 10065	"					3. 6. 7. 15. 35						
		1	15000	Brg.					3. 6. 7. 15. 35						
		1	15456	Drm.					3. 6. 7. 15. 35						
		1	6919	Oslo					3. 5. 7. 15. 35						
		1	6975	"					3. 6. 7. 15. 35						
		1	15460	Drm.					3. 6. 7. 15. 35						
		1	23082	T.P.B.					1. 3. 6. 7. 15. 35. 40						
		1	6907	Oslo					1KK. 3. 6. 7. 35						
		2	6914, 6915	"					3. 6. 7. 15. 35						
		1	10071	Thm.					3. 6. 7. 15. 35						
2	14942, 14945	Brg.					3. 6. 7. 15. 35								
1	17042	Oslo					3. 6. 7. 15. 35								
4	17047—17050	"					3. 6. 7. 15. 35								
1	17088	"					3. 6. 7. 15. 35								
Hv14	1	2	8682, 8685	Hmr.				1KK. 3. 6. 7. 20. 24. 35							
		3	20795, 20799	Drm.				1. 1KK. 3. 6. 7. 20. 24. 35. 40							
		2	8689, 8690	Hmr.	Skabo	1930			1. 1KK. 3. 6. 7. 20. 24. 35						
		1	8691	"	"	"			1KK. 3. 6. 7. 20. 24. 35						
		2	8693, 8695	"					1KK. 3. 6. 7. 20. 24. 35						
2	8698, 8699	"					1KK. 3. 6. 7. 20. 24. 35								
K1	2	2	2174, 2177	Oslo											
		1	2240	"											
		1	3623	"											

3 vogner nr. 8682, 8693, 8694 er innredet som forsøksvogner for kulsyreiskjølning.

} Kasse for skrapjern.
} " " generator-knot (14,3 m²).

Litra	Type	Antall	Vogn nr.	Distrikt	Fabrikant	Bygge- år	Gulv- flate	Rom- innh.	Brems- oppvarming, belysning m. v. se side 6	Ho- ved- tegn.	Omtrentlig		Anm.
							m. ²	m. ³			egen- vekt tonn	laste- evne tonn	
L1	1	1	1571	Oslo					15. 21				Omb. til R for Oslo
		1	5124	Hmr.					15. 21				
		1	9821	Brg.					15. 21				
		1	10634	Thm.					15. 21				
		1	15679	Drm.					15. 21				
		2	15699, 15701	"					15. 21				
		1	15704	"				15. 21					
L3	2	1	3663	Oslo					1H. 21				
		1	3667	"					15. 21				
		1	3668	"					1H. 21				
		2	3682, 3685	"					1H. 21				
		2	3688, 3689	"					1H. 21				
		2	3704, 3709	"					1H. 21				
		2	3712, 3714	"					1H. 21				
		2	3718, 3746	"					1H. 21				
		2	3792, 3794	"					1H. 21				
		2	3797, 3800	"					1H. 21				
		2	5134, 5137	Hmr.					1H. 21				
		2	5141, 5143	"					1H. 21				
		2	5147, 5148	"					1H. 21				
		2	5410, 5412	"					1H. 21				
		1	5413	"					1H. 21				
		2	5416, 5417	"					1H. 21				
		2	5418, 5421	"					15. 21				
		3	5423—5425	"					15. 21				
		1	5427	"					15. 21				
		1	5430	"					1H. 21				
		1	5432	"					15. 21				
		2	5434, 5436	"					15. 21				
		1	5623	Thm.					1H. 21				
		1	6772	Oslo					1H. 21				
		2	6776, 6778	"					1H. 21				
		2	6934, 6936	"					1H. 21				
		1	6950	"					1H. 21				
		2	10572, 10580	Thm.					1H. 21				
		2	10586, 10588	"					1H. 21				
		1	10589	"					1H. 21				
		2	12816, 12817	"					15. 21				
		1	12818	"					1H. 21				
		1	12821	"					15. 21				
		2	12823, 12825	"					15. 21				
		1	12826	"					1H. 21				
		1	12827	"					15. 21				
		2	12830, 12831	"					15. 21				
		1	12834	"					1H. 21				
		1	12835	"					15. 21				
		1	12837	"					15. 21				
		2	12838, 12839	"					1H. 21				
1	12841	"					1H. 21						
2	12847, 12848	"					1H. 21						
1	15813	Drm.					15. 21						
1	15821	"					1H. 21						
2	15838, 15839	"					1H. 21						
2	15841, 15851	"					1H. 21						
2	15855, 15856	"					1H. 21						
1	15861	"					1H. 21						
2	15933, 15938	"					1H. 21						
2	15941, 15943	"					1H. 21						
1	15944	"					1H. 21						
2	15946, 15947	"					1H. 21						
1	15950	"					1H. 21						
2	15966, 15968	"					15. 21						
1	15970	"					15. 21						
1	15975	"					1H. 21						
1	15977	"					15. 21						
3	15978—15980	"					15. 21						
1	15981	"					1H. 21						
1	15983	"					15. 21						
1	15984	"					1H. 21						
2	15987, 15989	"					15. 21						
1	15990	"					1H. 21						
1	16573	"					1H. 21						

Litra	Type	Antall	Vogn nr.	Distrikt	Fabrikant	Bygge- år	Gulv- flate	Rom- innh.	Bremses, oppvarming, belysning m. v. se side 6	Ho- ved- tegn.	Omtrentlig		Anm.	
							m. ²	m. ³			egen- vekt	laste- evne		
											tonn	tonn		
L4	1	1	32385		Oslo				15. 21. 24					
		2	32387, 32390		"				15. 24					
		2	32394, 32397		"				15. 24					
		2	32400, 32401		"				15. 21. 24					
		2	32452, 32453		Drm.				15. 21. 24					
		1	32454		"				1H. 21. 24					
		1	32455		"				15. 21. 24					
		2	32456, 32457		"				1H. 21. 24					
		1	32458		"				1H. 21. 24					
		1	32461		Thm.				15. 21. 24					
		2	32468, 32469		"				15. 21. 24					
		1	32473		"				15. 24					
		1	32474		"				1H. 21. 24					
		1	32479		"				15. 24					
		1	32480		"				15. 21. 24					
		2	32483, 32484		"				15. 24					
		1	32486		"				15. 24					
		1	32488		"				1H. 21. 24					
		1	32489		"				15. 24					
		1	32519		Brg.				15. 24					
		2	32521, 32522		"				15. 24					
		1	32527		"				1H. 21. 24					
		2	32530, 32541		"				15. 24					
		1	32544, 32546		"				15. 24					
		1	32550		"				15. 24					
		1	32558, 32559		"				15. 24					
		1	32562		"				15. 21. 24					
		1	32566		"				15. 24					
		1	32567		"				15. 21. 24					
		2	32571, 32575		"				15. 24					
		2	32576, 32579		"				15. 21. 24					
		1	32583		"				15. 24					
		2	32586, 32587		"				15. 24					
		3	32593, 32597		Oslo				15. 24					
		1	32599		"				15. 24					
		2	32601, 32603		"				15. 21. 24					
		2	32604, 32606		"				15. 24					
		2	32611		"				15. 21. 24					
		2	32612, 32615		"				15. 24					
		2	32617, 32630		"				15. 24					
		2	32651, 32652		"				15. 24					
		2	32655, 32656		"				15. 24					
		1	32667		"				15. 24					
		L4	2	1	32190		"			3. 15. 24				
2	32312, 32342				"			3. 15. 24						
1	32463				Thm.				3. 15. 24					
1	32649				Oslo				3. 15. 24					
2	11193, 11197				"				3. 15. 24					
1	11200				"				1H. 3. 24					
2	11359, 11360				"				3. 15. 24					
2	11385, 11387				"				3. 15. 24					
1	11390				"				1H. 3. 24					
2	11395, 11396				"				1H. 3. 24					
1	32188		"				3. 15. 24							
1	32255		"				3. 15. 24							
1	32304		"				3. 15. 24							
2	32328, 32345		"				3. 15. 24							
1	32352		"				3. 15. 24							
1	32364		"				1H. 3. 24							
1	32450		Drm.				1H. 3. 24							
1	32460		"				3. 15. 24							
2	32482, 32487		Thm.				3. 15. 24							
2	32524, 32538		Brg.				3. 15. 24							
1	32539		"				3. 15. 24							
2	32555, 32565		"				1H. 3. 24							
1	32577		"				3. 15. 24							
1	32581		"				1H. 3. 24							
1	32591		"				3. 15. 24							
1	32598		Oslo				1H. 3. 24							
2	32616, 32626		"				3. 15. 24							
2	32627, 32628		"				1H. 3. 24							
1	32636		"				3. 15. 24							

Overf. til Rjukanbanen.

Litra	Type	Antall	Vogn nr.	Distrikt	Fabrikant	Bygge år	Gulv-	Rom-	Bremser, oppvarming, belysning m. v. se side 6	Ho- ved- tegn.	Omtrentlig		Anm.			
							flate m. ²	innh. m. ³			egen- vekt tonn	laste- evne tonn				
Lf4	1	1	32639	Oslo					1H. 3. 24							
		1	32646	»					3. 15. 24							
		1	32648	»					1H. 3. 24							
		1	32654	»					3. 15. 24							
Lg1	1	1	9801	Brg.									} Dører i sidevegger fi stedet for luker.			
		2	9804, 9805	»												
Lk3	1	2	6713, 6715	Oslo					15. 21							
		1	6727	»					15. 21							
		2	10653, 10654	Thm.						15. 21						
		2	15913, 15916	Drn.						15. 21						
		2	15919, 15920	»						15. 21						
		2	15925, 15930	»						15. 21						
		1	16510	»						15. 21						
		2	16512, 16513	»						15. 21						
Ls3	1	1	2798	Oslo				15. 21								
M1	1	1	4034	»									Skal være 4054. } Utgar. Star oppført } nedenfor.			
		1	2392	»	Strommen	1901										
Mf1	1	1	2397	»	Oslo distr.	1904	15,1	4,7	3	678	6,0	11,0	} Tidl. Rs. Gått tilbake } til trafikken.			
Mf2	1	1	5492	Thm.					3				Omb. til Rs for Drn. » » » » Brg. » » » » Oslo » » » » Drn. » » » » Brg. » » » » Drn. » » » » Brg.			
		1	5494	»					3							
		1	23463	Drn.						3. 8						
		1	23479	»						3. 8						
		1	23485	»						1H. 3						
		2	23497, 23498	»						3. 8						
		1	23500	»						3						
N1	1	1	2278	Oslo	Skabo	1900	15,9	5,0	21				} Tidl. Rk. Gått tilbake } til trafikken. Omb. til Rc for Drn.			
		2	2291, 2438	»												
		1	2503	»						15. 21						
		1	2581	»				15,1	5,0							
		2	2626, 2636	»				»	»							
		1	2861	»				»	»				Vedkasser avtatt.			
		1	7520	»				»	»							
		1	5220	Hmr.						15. 21						
		1	6408	Oslo												
		1	6167	»									Omb. til Rc for Drn.			
		1	8557	Hmr.												
		1	16037	Drn.												
		2	16111, 16113	»												
		2	20801, 20823	»												
		2	20828, 20837	»												
		1	12505	Thm.	Strommen	1900	15,9	5,0	21		400	6,0	11,0	Uteglemt.		
		1	16066	Drn.										Omb. til Rs for Oslo.		
		1	16068	»	Strømmen	1899	15,9	5,0	21		400	6,0	11,0	} Tidl. Rs. Gått tilbake } til trafikken. } Litraforandret til M1, } type 1. Omb. til Rl.		
		1	16167	»												
		N2	2	1	1658	Oslo									} Forandret for fram- } føring av løse trans- } portkasser.	
				2	1680, 1724	»										
2	1760, 1773			»												
2	1789, 1888			»												
1	1903			»												
2	4028, 4095			»												
2	11607, 11613			»												
2	11619, 11654			»												
2	11682, 11690			»												
2	11706, 11709			»						15. 21						
N2	1			2	2408, 2802	»					15. 21					
				1	4169	»					15. 21					
				2	6436, 6441	»					15. 21					
		1	7556	»					15. 21							
		1	10905	Thm.					15. 21							
		2	11713, 11749	Oslo					15. 21							
		2	11769, 11781	»					15. 21							

Litra	Type	Antall	Vogn nr.	Distrikt	Fabrikant	Bygge- år	Gulv-	Rom-	Brems- oppvarming, belysning m. v. se side 6	Ho- ved- tegn.	Omtrentlig		Anm.
							fiate	innh.			egen-	laste-	
							m. ²	m. ²			vekt	evne	
											tonn	tonn	
N2	2	1	3633		Oslo								Vogn for ishøvel, Rs.
		2	3825, 3830		"				15. 21				
		2	3843, 3846		"				15. 21				
		1	3849		"				15. 21				
		1	4035		"				21				
		2	5342, 5349		Hmr.				15. 21				
		1	5362		"								
		1	5738		Thm.				15. 21				
		2	6473, 6475		Oslo				15. 21				
		1	6476		"				15. 21				
		2	6515, 6519		"				15. 21				
		1	6673		"								
		1	6676		"				15. 21				
		1	6692		"								
		1	6698		"				15. 21				
		1	8641		Hmr.				15. 21				
		1	8671		"				15. 21				
		1	9538		Brg.				6. 21				
	1	9561		"				15. 21					
	1	9573		"									
	1	9594		"				6. 21					
	1	9603		"				15. 21					
	2	9622, 9623		"				15. 21					
	1	14485		"				15. 21					
	1	16374		Drm.									
	1	16376		"				15. 21					
	1	20702		"				15. 21					
	3		2	2668, 2868		Oslo				15. 21			Vogn for ishøvel, Rs.
			1	5273		Hmr.			15. 21				
			2	7506, 7507		Oslo				15. 21			
			2	8502, 8506		Hmr.				15. 21			
			1	8532		"				15. 21			
			2	8601, 8657		"				15. 21			
2			16036, 16048		Drm.				15. 21				
1			16106		"				15. 21				
1			16206		"								
1			16265		"				15. 21				
													{Tidl. Rs. Gått tilbake til trafikken.
No3			1	1	23435		Oslo						
Nf2	1	1	12546		Thm.				3. 15			Omþ. til Rs for Drm. " " " " Hmr. " " " " Krs.	
		2	2706		Oslo								
		1	2707		"								
		1	2714		"								
NP2	1	25	Samtl. vogner						815 + 897				
NPo3	2	1	6841									{Tank for transport av levende fisk avtatt.	
Q2	1	3	4951—4953		"				15. 21				
Qf3	1	2	4956, 4958		"				3. 15				
S1	1	2	2893, 2896		"				3. 6. 8. 15				
		1	2898		"				3. 6. 8. 15				
		3	4509—4511		"				1. 1H. 3. 6. 8				
		1	4512		"				3. 6. 8. 15				
		1	4513		"				3. 6. 8				
		2	6921, 6922		"				3. 6. 8. 15				
		1	6926		"				1H. 3. 6. 8.				
		1	6927		"				1H. 2. 3. 6. 8				
		1	6929		"				1H. 3. 6. 8				
		1	7453		"				1H. 3. 6. 8				
		2	8451, 8453		Hmr.				1. 3. 6. 8. 15				
		1	8456		"				3. 6. 8. 15				
		2	1988, 1989		Oslo				3. 6. 8. 15				
		1	1996,		"				1. 3. 6. 8. 15				
		S11	1	3	15491—15493		Drm.				1. 3. 6. 8. 15		
2	2894				Oslo				1. 3. 6. 8. 15				
2	4515, 4516				"				1H. 2. 3. 6. 8				

Litra	Type	Antall	Vogn nr.	Distrikt	Fabrikant	Bygge- år	Gulv-	Rom-	Brems- oppvarming, belysning m. v. se side 6	Ho- ved- tegn.	Omtrentlig		Anm.																							
							flate	innh.			egen-	laste-																								
							m. ²	m. ³			vekt	evne																								
											tonn	tonn																								
Sf1	2	2	6930, 6931	Oslo									1H. 2. 3. 6. 8																							
		2	8441, 8442										Hmr.	1. 3. 6. 8. 15																						
		1	15495										Drm.	1. 3. 6. 8. 15																						
		2	17530, 17531										Thm.	1. 3. 6. 8. 15																						
		2	23061, 23062										T.P.B.	1. 3. 6. 8. 15																						
Sf3	1	3	2900, 2901	Oslo									1H. 3. 6. 8																							
		1	4517										"	1H. 3. 6. 8. 40																						
		2	4518, 4519										"	1H. 2. 3. 6. 8. 40																						
		2	4520, 4521										"	1H. 2. 3. 6. 8																						
		2	4523, 4524										"	1H. 3. 6. 8																						
		1	4525										"	1H. 2. 3. 6. 8																						
		4	4526—4529										"	1H. 3. 6. 8																						
		2	4530, 4531										"	1H. 2. 3. 6. 8																						
		2	4532, 4533										"	1H. 3. 6. 8																						
		1	4534										"	2. 3. 6. 8																						
		1	6979										"	1H. 2. 3. 6. 8																						
		1	6980										"	1H. 3. 6. 8																						
		2	6981 6982										"	1H. 2. 3. 6. 8																						
		1	6983										"	1H. 3. 6. 8																						
		1	6984										"	1H. 2. 3. 6. 8																						
		1	6985										"	1H. 3. 6. 8																						
		2	8371, 8372										Hmr.	1H. 3. 6. 8																						
		2	8373, 8374										"	1H. 2. 3. 6. 8																						
		1	8375										"	1H. 3. 6. 8																						
		1	8376										"	1H. 2. 3. 6. 8																						
		1	20253										Drm.	1H. 3. 6. 8. 40																						
		1	20254										"	1H. 2. 3. 6. 8. 40																						
		1	20255										"	1H. 3. 6. 8. 40																						
		1	20256										"	1H. 2. 3. 6. 8. 40																						
		1	20258										"	1. 3. 6. 8. 15																						
		1	20769										"	1. 3. 6. 8. 15																						
		1	20772										"	3. 6. 8. 15																						
		2	2										1	2902	Oslo									1H. 3. 6. 8												
													4	2903—2906										"	1H. 2. 3. 6. 8											
													2	2907, 2908										"	1H. 3. 6. 8. 40											
													1	2909										"	1H. 2. 3. 6. 8											
													2	2910, 2970										"	1H. 3. 6. 8											
													1	9251										Brg.	1. 3. 6. 8. 15											
													1	9252										"	3. 6. 8. 15											
													2	16587, 16588										Drm.	1H. 2. 3. 6. 8											
													T3	1										2	4805, 4808	Oslo									1H. 21	
																								1	4809										"	15. 21
																								2	4818, 4826										"	1H. 21
		2	4828, 4830												"	1H. 21																				
		2	4833, 4845												"	1H. 21																				
		1	4847												"	1H. 21																				
2	4851, 4853	"	1H. 21																																	
2	4854, 4855	"	15. 21																																	
1	4860	"	15. 21																																	
2	4865, 4870	"	1H. 21																																	
1	4871	"	15. 21																																	
2	4872, 4883	"	1H. 21																																	
1	4886	"	1H. 21																																	
2	4888, 4889	"	1H. 21																																	
1	6539	"	15. 21																																	
2	6551, 6553	"	1H. 21																																	
1	6564	"	1H. 21																																	
2	6566, 6575	"	15. 21																																	
1	6578	"	15. 21																																	
1	6584	"	1H. 21																																	
1	6585	"	1H. 21																																	
2	6588, 6589	"	1H. 21																																	
2	6591, 6595	"	1H. 21																																	
1	6596	"	15. 21																																	
2	6609, 6612	"	1H. 21																																	
1	6613 *	"	15. 21																																	
2	6615, 6616	"	1H. 21																																	
2	6623, 6626	"	15. 21																																	
3	6628—6630	"	1H. 21																																	
2	6642 6645	"	1H. 21																																	
2	6647, 6654	"	1H. 21																																	
* 1	1	6625	"																																	

{Omb. til sporranser,
Rs.

Litra	Type	Antall	Vogn nr.	Distrikt	Fabrikant	Bygge- år	Gulv- flate	Rom- innh.	Brems- er, oppvarming, belysning m. v. se side 6	Ho- ved- tegn.	Omtrentlig		Anm.	
							m. ²	m. ³			egen- vekt	laste- evne		
											tonn	tonn		
T3	1	1	6659	Oslo					1H. 21					
		1	14503	Brg.					15. 21					
		2	14518, 14520	"					1H. 21					
		1	14523	"					15. 21					
		2	17005, 17006	Oslo					1H. 21					
		2	17012, 17018	"					1H. 21					
		2	17023, 17025	"					1H. 21					
		1	17115	"					15. 21					
		1	17124	"					1H. 21					
		1	17552	"					1H. 21					
		1	17562	"					15. 21					
		2	1	11935	"					15. 21				
		T4	1	1	4299	"				3. 15. 24				Tanken avtatt
				2	4305, 4310	"				1H. 21. 24				
				2	4313, 4319	"				1H. 21. 24				
				2	4323, 4324	"				1H. 21. 24				
				1	4328	"				1H. 21. 24				
3	4332—4334			"				1H. 21. 24						
1	4701			"				1H. 21. 24						
1	4702			"				15. 21. 24						
3	4703—4705			"				1H. 21. 24						
8	4707—4714			"				1H. 21. 24						
1	4716			"				15. 21. 24						
2	4717, 4718			"				1H. 21. 24						
1	4720			"				1H. 21. 24						
2	4722, 4723			"				1H. 21. 24						
2	4725, 4726			"				1H. 21. 24						
2	4729, 4730			"				1H. 21. 24						
2	4732, 4733			"				1H. 21. 24						
2	4735, 4736			"				1H. 21. 24						
3	4738—4743			"				1H. 21. 24						
1	4744			"				15. 21. 24						
2	4745, 4748			"				1H. 21. 24						
2	4750, 4753			"				1H. 21. 24						
3	4756—4758			"				1H. 21. 24						
1	4760			"				1H. 21. 24						
1	4761			"				15. 21. 24						
4	4762—4765			"				1H. 21. 24						
4	4770—4773			"				1H. 21. 24						
1	4776			"				15. 21. 24						
9	4777—4785			"				1H. 21. 24						
4	4787—4790			"				1H. 21. 24						
4	4792—4795			"				1H. 21. 24						
4	4797—4800			"				1H. 21. 24						
1	16594			Drn.					15. 21. 24					
11	16595—16605			"					1H. 21. 24					
3	16607—16609			"					1H. 21. 24					
14	16611—16624			"					1H. 21. 24					
3	16626—16628			"					1H. 21. 24					
1	16629			"					15. 21. 24					
1	16630			"					1H. 21. 24					
1	16631			"					15. 21. 24					
2	16632, 16633			"					1H. 21. 24					
5	16659—16663			"					1H. 21. 24					
1	16665			"					1H. 21. 24					
2	16667, 16668			"					1H. 21. 24					
15	16670—16684			"					1H. 21. 24					
2	16687, 16688			"					1H. 21. 24					
Tol	1	1	2782	Oslo				15. 21						
		1	17164	"				3. 15				Omb. til Tso2, type 2		
To4	1	2	16650, 16656	Drn.				3. 15						
Tl3	1	1	4905	Oslo				15. 21						
		1	15552	Drn.				1H. 21						
Tlf3	1	1	10927	Thm.				3. 15				Tank for kreosotolje.		
Trfo4	1	1	16505	Drn.				3. 15						

Litra	Type	Antall	Vogn nr.	Distrikt	Fabrikant	Bygge- år	Gulv- flate	Rom- innh.	Brems- er, oppvarming, belysning m. v. se side 6	Ho- ved- tegn.	Omtrentlig		Anm.	
							m. ²	m. ³			egen- vekt tonn	laste- evne tonn		
Tso2	1	1	4380	Oslo Drm.					3. 15					
		1	15991						3. 15					
Tsfo3	1	1	15995	»					3. 15					
Z1	1	2	4959, 4960	Oslo Drm. Thm.					2. 6. 15. 39 1. 6. 15. 21		12,5*)		*) Inkl. ballast.	
		1	16592											
		2	10315											
O4	1	1	17578	»					21. 39					
		2	17566, 17569	»					1H. 21					
		2	17574, 17576	»					1H. 21					
		1	17581	»					1H. 21					
		10	17583—17592	»					15. 21					
		2	17605, 17607	»					1H. 21					
		3	17611—17613	»					1H. 21					

Typer som utgår:

Gf3, type 4
Q2, » 2
Q3, » 1

Nye typer:

G1, type 5	Qf3, type 2
» » 6	Qf4, » 1
G2, » 3	S3, » 1
L2, » 1	Tlo4, » 1
» » 2	Tso2, » 2
L3, » 6	Øo4, » 2
N2, » 4	

Maskinsjefens kontor

Oslo, 1. juli 1943.

OBS. I dette nye opplag av tillegg II er også foretatt de rettelser som er oppført på side 8 i tillegg II a, dat. 1. juli 1944.

Oslo, 1. november 1947.

Rudolf
NORGES STATSBANER

Foruten dette tillegg gjelder også tillegg II.

Tillegg II a

til illustrert fortegnelse over godsvogner, bredt spor, av 1ste januar 1936.

(Tilkomne og utrangerte vogner samt forandringer i tiden 1. juli 1943—30. juni 1944.)

Nye vogner:

Litra	Type	Antall	Vogn nr.	Distrikt	Fabrikant	Bygge- år	Gulv- flate	Rom- innh.	Bremses, oppvarming, belysning m. v. se side 6	Ho- ved- tegn.	Omtrentlig		Merknad	
							m. ²	m. ³			egen- vekt tonn	laste- evne tonn		
G 4	1	22	40863—40884	Hmr.	Skabo	1943	27,7	58,0	IH. 3. 6. 24. 35	3735+ 4081	11,5	17,5		
		36	41037—41072	Thm.	Strømmen	»	»	»	IH. 3. 6. 24. 35	»	»	»		
		26	40813—40838	Drm.	Eidsfos	»	»	»	IH. 3. 6. 24. 35	»	»	»		
		24	40885—40908	Hmr.	Skabo	1944	»	»	»	IH. 3. 6. 24. 35	»	»	»	
		3	40839—40841	Drm.	Eidsfos	»	»	»	»	IH. 3. 6. 24. 35	»	»	»	
		2	40843, 40844	»	»	»	»	»	»	IH. 3. 6. 24. 35	»	»	»	
		3	40846—40848	»	»	»	»	»	»	IH. 3. 6. 24. 35	»	»	»	
		3	40849—40851	»	»	»	»	»	»	IH. 3. 6. 24. 35	»	»	»	
T14	1	39	60621—60659	»	Strømmen	»	28,7	22,8	IH. 21. 24	3770+ 4350	9,5	20,0		
Hvl	3	1	20665	Drm.	Drm. distr.	1943-44	12,6	23,0	6. 7. 21	1482	9,0	7,5	Ommontert fra smalt spor. (Tidl. nr. 1163, 1166, 3094. Tidl. nr. 500084—500093. Overtatt fra A/S Stangeskogene. Uteglemt i tillegg II pr. 1/7 43.	
		2	20668, 20674	»	»	»	»	»	6. 7. 15. 21	»	»	»		
T3	1	10	11936—11945	Oslo	Strømmen	1916	21,3		21	1458	6,9	16,0		

Ombygde vogner:

Litra	Type	Antall	Vogn nr.	Di- strikt	Ombygd ved	År	Gulv- flate	Rom- innh.	Bremses, oppvarming, belysning m. v. se side 6	Ho- ved- tegn.	Omtrentlig		Merknad	
							m. ²	m. ³			egen- vekt tonn	laste- evne tonn		
Gf2	3	3	2111—2113	Oslo	Oslo distr.	1943-44							Omb. til F, type 18.	
		1	6261	»	»	»								
		2	2831, 2834	»	»	»								
		2	2836, 2839	»	»	»								
		2	6271, 6274	»	»	»								
		7	14051—14057	Brg.	»	»								
		4	2	11103, 11104	Oslo	»	»							
1	11106	»	»	»										
Gf3	1	10	6277—6286	»	»	»							» » F, » 17.	
Gfo2	2	1	5711	Thm.	»	»	27,1	57,6	3. 6. 8. 13. 15	2633	24,5	8,5	Konduktørrom utvidet. Går over fra grunnriss 1 til grunnriss 2.	
		1	14128	Brg.	Drm. distr.	1943-44			1H. 3. 6. 8. 10. 40				Omb. til Fo, type 4. Ny vognkasse. Nytt nr. 3047. Overført til Oslo.	

Litra	Type	Antall	Vogn nr.	Distrikt	Ombygd ved	År	Gulvflate	Rominnh.	Bremses, oppvarming, belysning m. v. se side 6	Hovedtegn.	Omtrentlig		Merknad	
							m. ²	m. ³			egenvekt tonn	lastevne tonn		
L3	2	1	3304 ✓	Oslo	Drn. distr.	1943-44	17,0	18,7	6. 21	376 + 1519		15,5	3304 tidl. G2, type 1. Nye hjulsatser IV. 15205 tidl. G3, type 1.	
		1	15205 ✓	Drn.	»	»	»	»	6. 21					
	5	2	2786, 2788 ✓	Oslo	»	»	»	18,4	26,2	15. 21	2175 + D.3073	7,5	15,0	Tidl. Ls3, type 1.
		2	6750, 6751 ✓	»	»	»	»	»	»	15. 21	»	»	»	
		1	15802 ✓	Drn.	»	»	»	»	»	15. 21	»	»	»	Tidl. Gf3, type 3.
		1	15805 ✓	»	»	»	»	»	»	21	»	»	»	
		7	5672 ✓	Thm.	Brg. distr.	»	»	16,3	17,9	3	376 + D.10815	7,0	15,0	
N2	3	1	8661 ✓	Hmr.	Drn. distr.	»	19,1	5,8	21	3071	6,5	11,0	Tidl. N1, type 1.	
		2	16451, 16456 ✓	Drn.	»	»	»	»	21	»	»	»		
		1	16458 ✓	»	»	»	»	»	21	»	»	»		
To3	1	1	6841 ✓	Oslo	Thm. distr.	1944	30,5		1KK. 3	5157	14,0	32,0	Tidl. NPo3, type 2.	

Utrangerte vogner:

Litra	Type	Antall	Vogn nr.	Distrikt	Litra	Type	Antall	Vogn nr.	Distrikt	Litra	Type	Antall	Vogn nr.	Distrikt
G1	1	1	15078 ✓	Drn. Oslo	G4	1	1	17683 (40403)	Oslo Drn.	N1	1	1	8622 ✓	Hmr.
	2	1	7057 ✓					20317 (40223)					T3	
G2	1	1	3274 ✓	»	K1	1	1	2146 ✓	Oslo	T4	1	1	4312 (60183)	Brg.
G4	1	1	17219 (40110)	»	N1	1	1	1936 ✓	»		1	1	16670 (60051)	Oslo Drn.
		1	17235 (40126)											
		1	17626 (40256)											

Forandringer, rettelser og tilføyelser:

Litra	Type	Antall	Vogn nr.	Distrikt	Fabrikant	Bygge-år	Gulvflate	Rominnh.	Bremses, oppvarming, belysning m. v. se side 6	Hovedtegn.	Omtrentlig		Merknad
							m. ²	m. ³			egenvekt tonn	lastevne tonn	
G1	1	1	15080	Drn. Oslo									
		1	6074										
G2	1	1	9249	Brg. Thm.									Omb. til R.
		1	10322 ✓										
		1	10334										
G3	1	2	3062, 3066	Oslo									
		2	3069, 3071										
		1	3088										
		1	3110										
		2	3113, 3117										
		2	3120, 3127										
		1	3152										
		1	3345										
		2	3353, 3354										
		2	3360, 3375										
		2	3378, 3387										
		1	3600										
		1	5443										
		2	5447, 5449										
2	5457, 5459												
1	5645	Thm.											

Litra	Type	Antall	Vogn nr.	Distrikt	Fabrikant	Bygge- år	Gulv-	Rom-	Brems- oppvarming, belysning m. v. se side 6	Ho- ved- tegn.	Omtrentlig		Merknad			
							flate	innh.			egen- vekt	laste- evne				
							m. ²	m. ³			tonn	tonn				
G3	1	2	5647, 5648	Thm.												
		1	6089	Oslo												
		2	6100, 6104	»												
		1	6109	»												
		1	8165	Hmr.												
		2	8171, 8181	»												
		1	8187	»												
		1	8196	»												
		1	8200	»												
		2	8377, 8389	»												
		2	8394, 8397	»												
		1	8428	»												
		2	10210, 10217	Thm.												
		1	10221	»												
		1	10354	»												
		1	12175	»												
		2	14109, 14123	Brg.												
		1	14212	»												
		2	14216, 14217	»												
		1	15194	Drm.												
		1	15227	»												
		2	15233, 15246	»												
		2	15310, 15356	»												
		1	15394	»												
		1	17183	Oslo												
		2	20155, 20157	Drm.												
		2	20160, 20162	»												
		1	20183	»												
		2	20186, 20191	»												
		1	20195	»												
	2	20775, 20779	»													
	1	20783	»													
	2	31038	Oslo													
3	31005	»														
2	31007, 31008	»														
Gf3	3	1	23069	Drm.										Omb. til R.		
Gfo2	1	1	6205	Oslo												
		1	10192	Thm.												
		1	14101	Brg.												
		1	14107	»											Ballast + v.v. = 27,0 t. Last = 8,0 t.	
	2	1	3336	Oslo											Ballast + v.v. = 27,0 t. Last = 8,0 t.	
		1	3337	»												
		1	3341	»											Ballast + v.v. = 29,0 t. Last = 6,0 t.	
		1	3342	»											Ballast + v.v. = 28,0 t. Last = 7,0 t.	
		1	3344	»											Ballast + v.v. = 28,0 t. Last = 7,0 t.	
		1	5149	Hmr.											Ballast + v.v. = t. Last = t.	
		1	5151	»											Ballast + v.v. = 28,5 t. Last = 6,5 t.	
		1	5152	»											Ballast + v.v. = 29,0 t. Last = 6,0 t.	
		1	5153	»											Ballast + v.v. = 30,0 t. Last = 5,0 t.	
		1	5702	Thm.											Ballast + v.v. = 28,0 t. Last = 7,0 t.	
		1	5703	»											Ballast + v.v. = 28,7 t. Last = 6,5 t.	
		1	5707	»											Ballast + v.v. = 29,0 t. Last = 6,0 t.	
		1	5712	»												
		1	5715	»												
		1	14133	Brg.												Ballast + v.v. = 30,0 t. Last = 5,0 t.
		1	14136	»												Ballast + v.v. = 30,0 t. Last = 5,0 t.

Litra	Type	Antall	Vogn nr.	Distrikt	Fabrikant	Bygge- år	Gulv- flate	Rom- innh.	Bremses, oppvarming, belysning m. v. se side 6	Ho- ved- tegn.	Omtrentlig		Merknad		
							m. ²	m. ³			egen- vekt	laste- evne			
											tonn	tonn			
Gfo2	3	1	3399	Oslo					3. 6. 8. 13. 15				{ Ballast + v.v. = 29,5 t. Last = 5,5 t.		
		1	3401					3. 6. 8. 13. 15			{ Ballast + v.v. = 29,5 t. Last = 5,5 t.				
		1	3404					3. 6. 8. 13. 15			{ Ballast + v.v. = 29,5 t. Last = 5,5 t.				
		1	3409					3. 6. 8. 13. 15			{ Ballast + v.v. = 29,3 t. Last = 5,5 t.				
		1	10233		Thm.			3. 6. 8. 13. 15			{ Ballast + v.v. = 30,3 t. Last = 5,0 t.				
		2	10235, 10241					Omb. til Ro.							
		1	10237					3. 6. 8. 13. 15			{ Ballast + v.v. = , t. Last = , t.				
		1	10238					3. 6. 8. 13. 15			{ Ballast + v.v. = , t. Last = , t.				
		1	10240					3. 6. 8. 13. 15			{ Ballast + v.v. = 30,0 t. Last = 5,0 t.				
		1	10242					3. 6. 8. 13. 15			{ Ballast + v.v. = 28,3 t. Last = 7,0 t.				
		1	14139		Brg.			3. 6. 8. 13. 15			{ Ballast + v.v. = 27,0 t. Last = 8,0 t.				
		1	14140					3. 6. 8. 13. 15			{ Ballast + v.v. = 30,0 t. Last = 5,0 t.				
		1	14141					3. 6. 8. 13. 15			{ Ballast + v.v. = 27,0 t. Last = 8,0 t.				
		1	14145					3. 6. 8. 13. 15			{ Ballast + v.v. = 30,4 t. Last = 5,0 t.				
		1	14146					3. 6. 8. 13. 15			{ Ballast + v.v. = 27,0 t. Last = 8,0 t.				
		1	14147					3. 6. 8. 13. 15			{ Ballast + v.v. = 30,0 t. Last = 5,0 t.				
		1	15377		Drn.			3. 6. 8. 13. 15							
		1	15407								{ Ballast + v.v. = t. Last = t.				
		Gv2	1	2	1233, 1238	Oslo				6. 8. 15. 21					
		Gv3	1	1	6083					1H. 8. 21					
Hv1	1	1	15151	Drn.				6. 7. 15. 21							
Hv2	1	1	3533	Oslo				6. 7. 15. 21							
		2	8461, 8465	Hmr.				6. 7. 15. 21							
		1	12911	Thm.				6. 7. 15. 21							
L1	1	1	1570	Oslo				15. 21							
		2	5115	Hmr.				15. 21							
		1	9821	Brg.				15. 21							
		1	10628	Thm.				15. 21							
		1	15641	Drn.				15. 21							
		2	15660, 15665					15. 21							
L3	2	2	3662, 3670	Oslo				1H. 21							
		2	3675, 3678				1H. 21								
		1	3681				1H. 21								
		2	3701, 3702				1H. 21								
		2	3710, 3787				1H. 21								
		2	5131, 5133	Hmr.				1H. 21							
		1	5421					15. 21							
		1	5423					1H. 21							
		1	5433					15. 21							
		2	5621, 5626	Thm.				1H. 21							
		2	6777, 6780	Oslo				1H. 21							
		2	6937, 6939					1H. 21							
		2	6946, 6949					1H. 21							
		2	12808, 12812	Thm.				1H. 21							
		1	12828					15. 21							
		2	12829, 12844					1H. 21							
		2	12853, 12855					1H. 21							
		2	15806, 15810	Drn.				1H. 21							
		4	15833—15836					1H. 21							
		1	15846					1H. 21							
2	15868, 15869					1H. 21									

Litra	Type	Antall	Vogn nr.	Distrikt	Fabrikant	Bygge- år	Gulv- flate	Rom- innh.	Brems- oppvarming, belysning m. v. se side 6	Ho- ved- tegn.	Omtrentlig		Merknad
							m. ²	m. ³			egen- vekt	laste- evne	
											tonn	tonn	
N2	1	1	9527	Brg.					15. 21				
		2	10865, 10874	Thm.					15. 21				
		2	10883, 10892	»					15. 21				
		2	10895, 10905	»					15. 21				
		2	10907, 10908	»					15. 21				
		1	10913	»					15. 21				
		2	11722, 11735	Oslo					15. 21				
		2	11762, 11876	»					15. 21				
		2	11880, 11892	»					15. 21				
	2	2	3636, 3641	»					15. 21				
		2	3643, 3654	»					15. 21				
		2	3824, 3832	»					15. 21				
		2	3892, 3908	»					15. 21				
		2	3926, 3944	»					15. 21				
		1	3982	»					15. 21				
		2	4024, 4123	»					15. 21				
		1	4128	»					15. 21				
		2	5326, 5334	Hmr.					15. 21				
		2	5339, 5344	»					15. 21				
		3	5346—5348	»					15. 21				
		2	5350, 5351	»					15. 21				
		2	5355, 5360	»					15. 21				
		2	5363, 5366	»					15. 21				
		2	5605, 5606	Thm.					15. 21				
		2	5608, 5609	»					15. 21				
		2	5726, 5731	»					15. 21				
		2	5732, 5734	»					15. 21				
		1	5735	»					15. 21				
		2	6462, 6464	Oslo					15. 21				
		2	6477, 6478	»					15. 21				
		2	6487, 6490	»					15. 21				
		2	6499, 6501	»					15. 21				
		2	6502, 6523	»					15. 21				
		2	6662, 6663	»					15. 21				
		2	6666, 6668	»					15. 21				
		1	6673	»					15. 21				
		2	6685, 6699	»					15. 21				Omb. til Rs for Thm.
		2	6952, 6954	»					15. 21				
		2	6956, 6969	»					15. 21				
		1	6971	»					15. 21				
		1	8643	Hmr.					15. 21				
		2	8645, 8648	»					15. 21				
		2	9526, 9527	Brg.					15. 21				
		2	9531, 9540	»					15. 21				
		1	9541	»					6. 15. 21				
		2	9547, 9548	»					15. 21				
		2	9553, 9562	»					15. 21				
		2	9566, 9570	»					15. 21				
		1	9573	»					15. 21				
		2	9574, 9582	»					15. 21				
		3	9585—9587	»					15. 21				
		1	9596	»					15. 21				
		2	9598, 9601	»					15. 21				
		2	9608, 9610	»					15. 21				
		2	9611, 9612	»					15. 21				
		1	9621	»					15. 21				
		2	14481, 14483	»					15. 21				
		2	14490, 14494	»					15. 21				
		1	14497	»					15. 21				
		2	16366, 16370	Drm.					15. 21				
		1	16374	»					15. 21				
		2	16382, 16383	»					15. 21				
		2	16385, 16387	»					15. 21				
		2	16408, 16418	»					15. 21				
		2	16425, 16440	»					15. 21				
		1	16562	»					15. 21				
		2	20102, 20116	»					15. 21				
		2	20123, 20125	»					15. 21				
		3	20146—20148	»					15. 21				
		2	20210, 20219	»					15. 21				
		4	20221—20224	»					15. 21				
		2	20227, 20229	»					15. 21				
		2	20706, 20707	»					15. 21				

Litra	Type	Antall	Vogn nr.	Distrikt	Fabrikant	Bygge- år	Gulv- flate	Rom- innh.	Bremsr, oppvarming, belysning m. v. se side 6	Ho- ved- tegn.	Omtrentlig		Merknad								
							m. ²	m. ³			egen- vekt tonn	laste- evne tonn									
N2	2	2	20710, 20717	Drm.					15. 21												
		2	20719, 20724	»					15. 21												
	2	20730, 20731	»						15. 21												
	3	1	1	20739	»					15. 21											
			1	23002	»					15. 21											
			1	2270	Oslo						15. 21										
		2	2	2	2606, 2639	»					15. 21										
				2	2646, 2650	»					15. 21										
				1	2674	»						15. 21									
			1	2	2	2697, 2699	»					15. 21									
					1	2769	»					15. 21									
					2	3922, 3954	»						15. 21								
				1	1	1	3966	»					15. 21								
						1	5276	Hmr					15. 21								
						2	6331, 6363	Oslo						15. 21							
					2	1	1	7506	»					15. 21							
							2	8527, 8537	Hmr.					15. 21							
							2	8566, 8569	»						15. 21						
						2	2	2	8572, 8579	»					15. 21						
								2	8590, 8591	»					15. 21						
								1	8598	»						15. 21					
							2	2	2	8605, 8607	»					15. 21					
									2	8625, 8657	»					15. 21					
									2	8660, 8661	»						15. 21				
								1	1	1	8676	»					15. 21				
										1	9524	Brg.					15. 21				
										1	12517	Thm.						15. 21			
									2	2	16084, 16096	Drm.						15. 21			
										2	16102, 16136	»						15. 21			
										2	16266, 16283	»						15. 21			
	2	2	2	16302, 16307	»					15. 21											
			2	16393, 16449	»					15. 21											
2			16460, 16463	»						15. 21											
Nf2	1	1	10883	Thm.					3. 15												
		2	12546, 12552	»					3. 15												
	2	1	2715	Oslo					3. 15												
NP2	1	1	5306	Hmr.					15. 21												
		2	5317, 5318	»					15. 21												
		1	10511	Thm.						15. 21											
	2	2	16316, 16346	Drm.						15. 21											
		2	16350, 16352	»						15. 21											
		1	16362	»						15. 21											
SI	1	1	8451	Hmr.				3. 8. 15													
T4	1	2	16606, 16625	Drm.					1H. 21. 24												
		2	16664, 16672	»					1H. 21. 24												
		2	16678, 16686	»					1H. 21. 24												
		2	4702, 4719	Oslo					1H. 21. 24												
		2	4721, 4724	»					1H. 21. 24												
		2	4728, 4731	»					1H. 21. 24												
		2	4746, 4749	»					1H. 21. 24												
		2	4751, 4754	»					1H. 21. 24												
		2	4755, 4759	»					1H. 21. 24												
		2	4765, 4766	»					1H. 21. 24												
		2	4768, 4774	»					1H. 21. 24												
		2	4791, 4796	»					1H. 21. 24												
		3	4300—4302	»					1H. 21. 24												
		1	4304	»					1H. 21. 24												
		3	4307—4309	»					1H. 21. 24												
		2	4314, 4317	»					1H. 21. 24												
		2	4320, 4322	»					1H. 21. 24												
		2	4327, 4329	»					1H. 21. 24												
2	4331, 4333	»					1H. 21. 24														
Tol	1	1	16000	Drm.					15. 21												
ZI	2	1	10315	Thm.					6. 15. 21												
Ø4	1	1	17577	»					15. 21												
Øf4	1	2	17598, 17601	»					3. 8. 15												

Ad tillegg II pr. 1/7 1943:

- Side I — I overskriften skal stå: «I tiden 1. januar 1936—30. juni 1943.
 Antall T4 — 4300—4314 skal stå: 15. Fabrikant Skabo.
 » » — 4315—4334 » » 20. » »
 4299 » » byggeår 1936.
 To4 — 4936—4950 » » Fabrikant Strømmen.
 » 2 — G1 type 1 — 15329 » » type 3.
 » 3—8 — skal i rubrikkene Fabrikant og byggeår stå: Ombygd ved og år.
 » 3 — G3 — 32124 skal være 32024.
 » 5 — Hv3 — 15454 » under anm. stå: Tidl. Hvf3.
 3527 » være 3537.
 » 6 — L3 — 3133 » under anm. stå: Tidl. Gv3.
 L4 — 35232 » være 32532.
 » 7 — Lt2 — type 3 » stå: 7567—7569, ikke 7567, 7569.
 N2 — 3919, 3947, 3969, 3972 skal under anm. stå: Tidl. N1, type 2. Hovedt. 3070.
 » 8 — Utrangerte vogner: G2, 2968 skal være 2962. 19 vogner tilh. Oslo, ikke Hmr.
 G3, 15323 ikke utr. men ombygd til L3, type 2.
 » 9 — » » Lk1, type 1 — 5170 Hmr. uteglemt.
 Lt2, » 1 — 4205, 4208 skal være 4202, 4205.
 N1, » 1 — 4098 » » 4092.
 » » 1 — Antall skal være 24. — 6162 uteglemt.
 » » 2 — » » » 5. — 1656 er N1, type 1 og står oppført der.
 » » 2 — » » » 40. — 2495 er uteglemt.
 N2, » 2 — » » » 3. — 5727 » »
 » » 2 — 6498 » » 6494.
 S1, » 1 — 12202 » » 12902.
 T13, » 1 — Tilføyes antall 1 foran 17145.
 » 15 — Gf2, type 3 — 6261 skal være 6271.
 » 16 — Gfo2, » 1 — 6207. Utstyr: 1H. 3. 8. 13.
 Gvf2, » 1 — 2827 skal være 2837.
 » 18 — L1, » 1 — skal stå: type 2, antall 1, nr. 5124.
 » » 1 — 10634, Thm. er omb. til R for Oslo.
 L3, » 2 — 6788 skal være 6778.
 » » 2 — 12880 » » 12830.
 » 19 — » » 2 — 3776 » » type 3.
 L4, » 1 — 10572, 10580, 10588, 10589 er L3, type 2 og er oppført der.
 » » 1 — 11173, 11177, 11188, 11190 er oppført 2 ganger.
 » 20 — » » 1 — 32478 skal være 32474.
 » 21 — Mf2, » 1 — 23492 » » 23497.
 N1, » 1 — 2278 » » Tidl. Rk, ikke Rs.
 N2, » 1 — 11881 » » 11781.
 » 22 — S1, » 1 — 6726 » » 6926. Utstyr: 1H. 3. 6. 8.
 » » 2 — 1998 utgår.
 » 23 — Sf1, » 2 — 15594 skal være 15495.
 Sf2, » 1 — 4520—4522 skal være 4520, 4521, antall 2.
 T3, » 1 — tilføyes 6625 omb. til sporrenser, Rs.
 » » 1 — Endel T3-vogner har fått 1H. } Se tillegg I c pr. 1/7 42.
 » 24 — » » 1 — » » » » » }
 » 25 — Ø4, » 1 — 17528 utgår.

Nye typer:

Hv1, type 3.
 L3, » 7.

Maskinsjefens kontor

Oslo, 1. juli 1944.

NORGES STATSBANER

Foruten dette tillegg gjelder også tillegg II og II a.

Tillegg II b

til illustrert fortegnelse over godsvogner, bredt spor, av 1ste januar 1936.

(Tilkomne og utrangerte vogner samt forandringer i tiden 1. juli 1944—30. juni 1945.)

Nye vogner:

Litra	Type	Antall	Vogn nr.	Distrikt	Fabrikant	Bygge- år	Gulv- flate	Rom- innh.	Bremses, oppvarming, belysning m. v. se side 6	Ho- ved- tegn.	Omtrentlig		Merknad	
							m. ²	m. ³			egen- vekt tonn	laste- evne tonn		
G4	1		40842, 40845	Drm.	Eidsfos	1945	27,7	58,0	1H. 3. 6. 24. 34. 35. 38	3735+	11,5	17,5	Disse vogner benyttes som reisegodsvogner og har elektrisk lys og dører i endevegg.	
			40852	»	»	»	»	»	»	4081				»
			40907—40949	Hmr.	Skabo	»	»	»	»	»				»
T14			60656—60695	Drm.	Strømmen	»	28,7	22,8	1H. 21. 24	3770+	9,5	20,0		
N1	1		12506	Nrv.	»	1900	15,8	5,0	15. 21	**)	6,9	11,5	Tidl. R. gått tilbake til N-vogner.	
	2		10826	»	»	1901	17,4	5,3	3. 15	***)	»	11,0		

Ombygde vogner:

Litra	Type	Antall	Vogn nr.	Di- strikt	Ombygd ved	År	Gulv- flate	Rom- innh.	Bremses, oppvarming, belysning m. v. se side 6	Ho- ved- tegn.	Omtrentlig		Merknad
							m. ²	m. ³			egen- vekt tonn	laste- evne tonn	
L2	1		2968	Oslo	Brg. distr.	1945	17,0	17,0	21. 29. 34	1070 +	6,5	10,5	Tidl. G2, type 1.
	1		3304	»	Drm. distr.	»	»	»	6. 21	D 10815			» G2, » 1.
	2		2118	»	»	»	»	»	21. 29	D 10815			» Gf2, » 2.
L3	2		15205	Drm.	»	»	»	»	6. 21	»			» G3, » 1.
T3	2		11925	Oslo	Thm. distr.	»	21,8	»	6. 21	Ukjent	6,5	16,0	» L3, » 6.
To3	1		6841	»	»	»	30,5	»	1KK. 3	*)	14,0		» NPo3, » 2.

*) Oppr. NPfo-vogn etter tegn. 2157. **) Oppr. N-vogn etter H-tegn. 400. ***) Oppr. N-vogn etter H-tegn. 614.

Utrangerte vogner:

Litra	Type	Antall	Vogn nr.	Distrikt	Litra	Type	Antall	Vogn nr.	Distrikt	Litra	Type	Antall	Vogn nr.	Distrikt
G1	2		8070	Thm.	Lg2	1		11491, 11496	Oslo	N2	1		10894	Thm.
	2		15075, 15076	Drm.	Lt2	3		10853	Thm.	NP3	1		13070	Nrv.
Gfo2	2		5715	Thm.	N1	2		1673	Oslo					
L3	1		13082	Nrv.		2		11664	»	SF1	1		15491	Drm.

Forandringer, rettelser og tilføyelser:

Litra	Type	Antall	Vogn nr.	Distrikt	Fabrikant	Bygge- år	Gulv-	Rom-	Brems- oppvarming, belysning m. v. se side 6	Ho- ved- tegn.	Omtrentlig		Merknad	
							flate	innh.			egen- vekt	laste- evne		
							m. ²	m. ³			tonn	tonn		
G1	3		15341	Drm.					15. 21. 31					
G2	1		1167	Oslo					21. 29					
			1190	»					6. 15. 21. 29					
			1211	»					6. 15. 21. 29					
			5081	Hmr.					15. 21. 29					
			5086	»					15. 21. 29					
			8136	»					6. 15. 21. 29					
			10305	Thm.					15. 21. 29					
			10314	»					6. 15. 21. 29					
			10322											Går f. t. som Ge-vogn
														{Omb. til R. (redskaps- vogn).
G3	1		3070	Oslo					6. 15. 21. 29					
			3076	»					1H. 6. 21. 29					
			3093	»					1H. 21. 29					
			3111	»					1H. 21. 29					
			3113	»					1H. 21. 29		12,0			{Omb. til R. (redskaps- vogn).
			3121	»					1H. 6. 21. 29					
			3124	»					6. 15. 21. 29					
			3148	»					15. 21. 29					
			3334	»					15. 21. 29					
			3347	»					15. 21. 29					{Omb. til R. (redskaps- vogn).
			3361	»					1H. 21. 29					
			3364	»					1H. 21. 29					
			3377	»					1H. 21. 29					
			5463	Hmr.					1H. 21. 29					
			5654	Thm.					1H. 21. 29					
			6091	Oslo					1H. 21. 29					
			6092	»					1H. 21. 29					
			6093	»					1H. 21. 29					
			6107	»					1H. 21. 29					
			8178	Hmr.					1H. 6. 21. 29					
			8180	»					1H. 6. 21. 29					
			8292	»					1H. 21. 29					
			8335	»					1H. 21. 29					
			8425	»					1H. 21. 29					
			10348	Thm.					6. 15. 21. 29					
			14113	Brg.					1H. 6. 21. 29					
			14125	»					1H. 6. 21. 29					
			15208	Drm.					6. 15. 21. 29					
			15219	»					1H. 21. 29					
			15229	»					1H. 21. 29					
			15242	»					1H. 21. 29					
			15243	»					1H. 21. 29					
			15244	»					1H. 21. 29					
			15275	»					1H. 6. 21. 29					
			15313	»					1H. 21. 29					
			15359	»					1H. 21. 29					
			15362	»					1H. 21. 29					
			20155	»					1H. 6. 21. 29					{Omb. til R. (redskaps- vogn).
			20164	»					1H. 6. 21. 29					
			20776	»					1H. 6. 21. 29					
			20785	»					1H. 6. 21. 29					
			23079	»					1H. 6. 21. 29					
			23384	»					15. 21. 29					
	2		31036	Oslo					15. 24					
			31045	»					15. 24					
			32043	»					15. 24					
	3		31002	»					3. 15. 24					
			31006	»					3. 15. 24					
G4	1		40019	Drm.					6. 15. 21. 24. 35. 40					Arr. for sykkeltransp.
			40142	Oslo					3. 6. 15. 24. 35					Midl. redskapsvogn.
			40250	Thm.					1H. 3. 6. 24. 35					
			40283	»					1H. 3. 6. 24. 35					
			40325	Krs.					1H. 3. 6. 24. 35					
			40326	»					1H. 3. 6. 24. 35					

Litra	Type	Antall	Vogn nr.	Distrikt	Fabrikant	Bygge- år	Gulv-	Rom-	Brems- oppvarming, belysning m. v. se side 6	Ho- ved- tegn.	Omtrentlig		Merknad
							flate m. ²	innh. m. ³			egen- vekt tonn	laste- evne tonn	
G4	1	40331		Krs.					1H. 3, 6. 24. 35				
		40332		»					1H. 3. 6. 24. 35				
		40380		Thm.					1H. 3. 6. 24. 35				
		40397		»					1H. 3. 6. 24. 35				
		40410		»					1H. 3. 6. 24. 35				
		40420		»					1H. 3. 6. 24. 35				
		40426		»					1H. 3. 6. 24. 35				
		40442		Drm.					1H. 3. 6, 24. 35				
40969	Thm.	1H. 3. 6. 24. 35. 40	{Omb. til Rc (mann- skapsvogn).										
Gf2	1	12156		»	3, 15. 26 ¹ . 29	Er omb. til F, type 18.							
	3	14051	Brg.	3. 8. 13. 15									
Gf3	1	6287		Oslo					3. 26 ¹ , 29				{Omb. til Rc (mann- skapsvogn).
		6123		»					3. 15. 26 ² . 29				
		23068		Drm.					3. 15. 26 ² . 29				
Gfo2	1	14100		Brg.					3. 6. 8. 13. 15. 26 ¹ . 37				
		14103		»					3. 6. 8. 13. 15. 26 ¹ . 37				
		14106		»					1H. 3, 5. 8. 13. 15, 21. 26 ¹ . 37				
		2	5702	Thm.	3. 6. 8. 13. 15. 26 ¹ , 34. 37. 38	Omb. for biltransport.							
			14137	Brg.	3. 6. 8. 13, 15. 26 ¹ . 34								
Gv2	1	10321		Thm.					5. 15. 21				
		12165		»					5. 15. 21				
Hv1	1	3498		»					6. 7. 15. 21. 35				
		14955		Brg.					6. 7. 15. 21				
L1	1	1405		Oslo					15. 21				
		1565		»					15. 21				
		5126		Hmr.					15. 21				
		6734		Oslo					15. 21				
		8302		Hmr.					15. 21				
		15668		Drm.					15. 21				
		15682		»					15. 21				
		15683		»					15. 21				
L3	2	3666		Oslo					15. 21				
		3669		»					1H. 21				
		3679		»					1H. 21				
		3683		»					1H. 21				
		3687		»					1H. 21				
		3708		»					1H. 21				
		3785		»					1H. 21				
		3791		»					1H. 21				
		5144		Hmr.					1H. 21				
		5411		»					1H. 21				
		5431		»					15. 21				
		5435		»					1H. 21				
		5628		Thm.					1H. 21				
		5631		»					1H. 21				
		6940		Oslo					1H. 21				
		6943		»					15. 21				
		10571		Thm.					1H. 21				
		10577		»					1H. 21				
		10585		»					1H. 21				
		12806		»					1H. 21				
		12814		»					1H. 21				
		12820		»					1H. 21				
		12822		»					1H. 21				
		12849		»					1H. 21				
		12854		»					1H. 21				
		15809		Drm.					1H. 21				
		15829		»					1H. 21				
		15847		»					1H. 21				

Litra	Type	Antall	Vogn nr.	Distrikt	Fabrikant	Bygge- år	Gulv-	Rom-	Brems- er, oppvarming, belysning m. v. se side 6	Ho- ved- tegn.	Omtrentlig		Merknad		
							flate	innh.			egen-	laste-			
							m. ²	m. ³			vekt	evne			
											tonn	tonn			
L3	2		15852	Drm.					1H. 21						
			15853		»				1H. 21						
			15858		»				1H. 21						
			15870		»				1H. 21						
			15982		»				1H. 21						
			15985		»				1H. 21						
			16580		»				1H. 21						
			20001		»				1H. 21						
			20002		»				1H. 21						
			20003		»				1H. 21						
			20011		»				1H. 21						
			20269		»				1H. 21						
			20271		»				1H. 21						
			20272		»				1H. 21						
			20744		»				1H. 21						
			20748		»				1H. 21						
			5			2795	Oslo				1H. 21				
		15785		Drm.				1H. 21							
L4	1		10557	Thm.				15. 21. 24							
			11155	Oslo				15. 21. 24							
			11160	»				15. 21. 24							
			11167	»				15. 21. 24							
			11182, 11370	»				15. 21. 24							
			32175	Drm.				15. 21. 24							
			32177	»				15. 21. 24							
			32185	»				15. 21. 24							
			32202	Oslo				15. 24							
			32203	»				15. 24							
			32243	»				15. 24							
			32245	»				15. 24							
			32278	»				15. 21. 24							
			32298	»				15. 24							
			32322	»				15. 24							
			32335	»				15. 24							
			32351	»				15. 21. 24							
			32368	»				15. 24							
			32476	Thm.				15. 24							
			32545	Brg.				15. 24							
			32596	Oslo				15. 24							
			32632	»				15. 24							
			32637	»				15. 21. 24							
			32656	»				15. 24							
			2		11394	»				3. 15. 24					
					32142	Drm.				3. 15. 24					
			3		32640	Oslo				3. 15. 24					
					4146	»				15. 21. 24					
					20276	Drm.				1H. 21. 24					
					20280	»				1H. 21. 24					
		20292		»				1H. 21. 24							
		20343		»				1H. 21, 24							
		20372		»				1H. 21. 24							
		20350		»				1H. 21. 24							
Lf4	1			11357	Oslo				3. 15. 24. 26 ¹						
				11391	»				3. 15. 24. 26 ¹						
			32144	T.P.B.				3. 15. 24. 26 ¹							
			32560	Brg.				3. 15. 24. 26 ¹							
Lt2	3		2853	Oslo				15. 21							
			4190	»				15. 21							
			4214	»				15. 21							
		3		4224	»			21							
			7550	»				15. 21							
			6427	»				15. 21							
N1	1		2444	»				15. 21							
			4088	»				15. 21							
			10827	Thm.				3. 15							
N2	1		2516	Oslo				15. 21							
			4170	»				15. 21							
			4176	»				15. 21							

Nytt nr. 50012.
 » » 50027.
 » » 50031.
 » » 50043.
 » » 50049.
 » » 50078.
 » » 50056.

Har fått prov. tak.
 —→

Litra	Type	Antall	Vogn nr.	Distrikt	Fabrikant	Bygge- år	Gulv- flate	Rom- innh.	Brems oppvarming, belysning m. v. se side 6	Ho- ved- tegn.	Omtrentlig		Merknad
							m. ²	m. ³			egen- vekt	laste- evne	
											tonn	tonn	
N2	1		5324	Hmr.					15. 21				
			6435	Oslo					15. 21				
			6442	»					15. 21				
			6448	»					15. 21				
			7565	»					15. 21				
			9530	Brg.					15. 21				
			10902	Thm.					15. 21				
			11710	Oslo					15. 21				
			11721	»					15. 21				
			11728	»					15. 21				
			11759	»					15. 21				
			11760	»					15. 21				
			11761	»					15. 21				
			11766	»					15. 21				
		11885	»					15. 21					
		11887	»					15. 21					
		2		3828	»				15. 21				
			3829	»					15. 21				
			3834	»					15. 21				
			3847	»					15. 21				
			3902	»					15. 21				
			3911	»					15. 21				
			4127	»					15. 21				
			4194	»					15. 21				
			5339	Hmr.					15. 21				
			5354	»					15. 21				
			5364	»					15. 21				
			5603	Thm.					15. 21				
			5616	»					15. 21				
			5620	»					15. 21				
			5744	»					15. 21				
			5745	»					15. 21				
			5748	»					15. 21				
			6466	Oslo					15. 21				
			6480	»					15. 21				
			6483	»					15. 21				
			6506	»					15. 21				
			6513	»					15. 21				
			6524	»					15. 21				
			6535	»					15. 21				
			6678	»					15. 21				
			6682	»					15. 21				
			6688	»					15. 21				
			6690	»					15. 21				
		6691	»					15. 21					
		6697	»					15. 21					
		6959	»					15. 21					
		6964	»					15. 21					
		8677	Hmr.					15. 21					
	8680	»					15. 21						
	9545	Brg.					15. 21						
	9558	»					15. 21						
	9560	»					15. 21						
	9564	»					15. 21						
	9565	»					15. 21						
	9597	»					15. 21						
	9618	»					15. 21						
	9619	»					15. 21						
	14473	»					15. 21						
	14484	»					15. 21						
	14486	»					15. 21						
	14498	»					15. 21						
	16365	Drm.					15. 21						
	16396	»					15. 21						
	16410	»					15. 21						
	16412	»					15. 21						
	16414	»					15. 21						
	16431	»					15. 21						
	16432	»					15. 21						
	16468	»					15. 21						
	16474	»					15. 21						
	16554	»					15. 21						
	16556	»					15. 21						

Litra	Type	Antall	Vogn nr.	Distrikt	Fabrikant	Bygge- år	Gulv-	Rom-	Brems- oppvarming, belysning m. v. se side 6	Ho- ved- tegn.	Omtrentlig		Merknad						
							flate	innh.			egen- vekt	laste- evne							
							m. ²	m ³			tonn	tonn							
N2	2		16558																
			16559												Drm.	15. 21			
			20110												»	15. 21			
			20111												»	15. 21			
			20112												»	15. 21			
			20118												»	15. 21			
			20120												»	15. 21			
			20121												»	15. 21			
			20127												»	15. 21			
			20131												»	15. 21			
			20134												»	15. 21			
			20149												»	15. 21			
		20213	»												15. 21				
		20214	»												15. 21				
		20225	»												15. 21				
		20711	»												15. 21				
		20732	»												15. 21				
		20733	»												15. 21				
		20737	»												15. 21				
		3													2575	Oslo	15. 21		
			2887												»	15. 21			
			3905												»	15. 21			
			3907												»	15. 21			
			3947. 3950												»	15. 21			
			4005												»	15. 21			
			5303												Hmr.	15. 21			
			6380												Oslo	3. 15			
			7501												»	15. 21			
			8510												Hmr.	15. 21			
			8539												»	15. 21			
			8546												»	15. 21			
			8562												»	15. 21			
			8574												»	15. 21			
		8578	»												15. 21				
		8588	»												15. 21				
		8595	»												15. 21				
	8616	»	15. 21																
	8654	»	15. 21																
	8669	»	15. 21																
	9516	Brg.	15. 21																
	10811	Thm.	15. 21																
	12502	»	15. 21																
	12507	»	15. 21																
	12521	»	15. 21																
	12528	»	15. 21																
	16171	Drm.	15. 21																
	16185	»	15. 21																
	16213	»	15. 21																
	16231	»	15. 21																
	16232	»	15. 21																
	16290	»	15. 21																
	16297	»	15. 21																
	16462	»	15. 21																
	12545	Thm.	3. 15																
NP2	1		10522	»															
T3	1		4807	Oslo															
			4827	»															
			4841	»															
			4844	»															
			4856	»															
			4857	»															
			4859	»															
			4868	»															
			4874	»															
			4877	»															
			4878	»															
			4884	»															
			4887	»															
			6536	»															
			6538	»															

{Påmont. melketank for
Drm. meieri.

Litra	Type	Antall	Vogn nr.	Distrikt	Fabrikant	Bygge- år	Gulv-	Rom-	Brems- oppvarming, belysning m. v. se side 6	Ho- ved- tegn.	Omtrentlig		Merknad	
							flate	innh.			egen- vekt	laste- evne		
							m. ²	m. ³			tonn	tonn		
T3	1		6568	Oslo					1H. 21					
		6571	»											
		6581	»											
		6597	»											
		6608	»											
		6617	»											
		6641	»											
		11943	»											
		14505	Brg.											
		14512	»											
		14516	»											
		14517	»											
		14519	»											
		14526	»											
		17007	Oslo											
		17019	»											
		17093	»											
		17106	»											
		17111	»											
		17112	»											
		17120	»											
		17122	»											
		17123	»											
		17125	»											
17127	»													
17553	»													
17559	»													
17564	»													
T4	1		4313	»					1H. 21. 24				Nytt nr. 60184.	
		4316	»											
		4323	»											
		4770	»											
		4792	»											
		16602	Drm.											
16608	»													
To1	1		14909	Brg.					15. 21					
		15999	Drm.											
To4	1		4946	Oslo					3. 15				Nytt nr. 60451.	
		4947	»											
		4949	»											
		16639	Drm.											
		16642	»											
		16649	»											
		16652	»											
		16654	»											
		20312	»											
T14	1		4288	Oslo					15. 21. 24				Nytt nr. 60245.	
		4293	»											
		4364	»											
		17745	Thm.											
		20886	Krs.											
		20898	»											
Ø4	1		17567	Thm.					1H. 21					
		17570	»											
		17571	»											
		17578	»											
		17580	»											
		17603	»											
		17606	»											
		17608	»											
		17610	»											
		17614	»											
		Øf4	1		17599	Thm.					3. 8. 15. 26 ¹			

Maskinsjefens kontor

Oslo, 1. juli 1945.



NORGES STATSBANER

Foruten dette tillegg gjelder også tillegg II, II a og II b.

Tillegg II c

til illustrert fortegnelse over godsvogner, bredt spor, av 1ste januar 1936.

(Tilkomne og utrangerte vogner samt forandringer i tiden 1. juli 1945—30. juni 1946.)

Nye vogner:

Litra	Type	Antall	Vogn nr.	Distrikt	Fabrikant	Bygge- år	Gulv- flate	Rom- innh.	Brems- er, oppvarming, belysning m. v. se side 6	Ho- ved- tegn.	Omtrentlig		Merknad
							m. ²	m. ³			egen- vekt tonn	laste- evne tonn	
G4	1	13	40950—40962	Hmr.	Skabo	1945	27,7	58,0	1H. 3. 6. 24. 35. 38	3735+ 4081	11,5	17,5	(*) Vaporanlegget blir imidlertid ikke å benytte før dampregulator kan skaffes. Vognene går som kjølevogner.
Hvf4	2	23	70052 ⁵⁰ —70074	Thm.	Strømmen	»	18,7	35,0	1H. 3. 5*) . 24. 26 ¹). 34. 39	5130	14,0	14,5	
L4	3	18	50100—50117	»	Eidsfos	1946	21,8	24,0	1H. 21	3989	8,5	20,0	
Tl4	1	3	60546—60548	Oslo	Skabo	1945	28,7	22,8	1H. 21. 24	3770+ 4350	9,5	»	
		3	60553—60555	»	»	»	»	»	1H. 21. 24	»	»	»	
		4	60549—60552	»	»	1946	»	»	1H. 21. 24	»	»	»	
		28	60556—60583	»	»	»	»	»	1H. 21. 24	»	»	»	
Gf3	2	2	13014, 13015	Nrv.	Strømmen	1902	19,5	41,1	1w. 3. 24. 26 ¹). 29	»	»	13,5	{ Tidl. Rc. Omb. etter krigsskade.
Hv1	3	1	20671	Drm.	»	»	12,6	23,0	7. 15. 21	»	9,0	7,5*)	{ (*) Med fylte isbeholdere. Tidl. sm. sp. Hv nr. 1169.
		1	20680	»	»	»	»	»	15	»	»	»	{ Tidl. sm. sp. Hv nr. 3100.

Ombygde vogner:

Litra	Type	Antall	Vogn nr.	Di- strikt	Ombygd ved	År	Gulv- flate	Rom- innh.	Brems- er, oppvarming, belysning m. v. se side 6	Ho- ved- tegn.	Omtrentlig		Merknad
							m. ²	m. ³			egen- vekt tonn	laste- evne tonn	
G2	4	1	14088	Brg.	Drm. distr.	1946	16,1	34,0	3. 6. 15. 29	Hst.s skisse 12/7 29	7,5	9,0	Tidl. Gf2, type 2.
G3	4	1	6126	Oslo	»	»	»	»	3. 15. 29	»	8,5	14,5	» Gf3, » 3.
L2	1	1	1192	»	»	»	»	»	6. 15. 21. 29	»	7,5	9,5	» G2, » 1.
	2	1	17065	»	»	»	»	»	3. 15. 29	»	7,0	»	» Gf2, » 2.
L3	2	1	3174	»	»	»	»	»	1H. 6. 21. 29	»	11,5*)	11,5	{ » G3, » 2. (*) inkl. ballast.
	5	1	14210	Brg.	»	»	»	»	6. 15. 21. 29	»	8,0	14,5	Tidl. G3 type 1.
		1	6755	Oslo	»	»	13,4	16,9	15. 21	»	8,5	»	» Ls3, » 1.
		1	15791	Drm.	»	»	»	»	15. 21	»	»	»	» » 1.
		1	15799	»	»	»	»	»	15. 21	»	»	»	» » 1.
		1	15801	»	»	»	»	»	15. 21	»	»	»	» » 1.
M2	1	1	5498	Thm.	»	»	18,3	4,8	3. 26 ¹)	»	7,0	10,0	» Mf2, » 1.

Utrangerte vogner:

Litra	Type	Antall	Vogn nr.	Distrikt	Litra	Type	Antall	Vogn nr.	Distrikt	Litra	Type	Antall	Vogn nr.	Distrikt
G1	2	1	1139 ✓	Oslo	L4	1	1	11161 ✓	Oslo	N1	1	1	8624 ✓	Hmr.
	4	1	1084 ✓											
G2	1	1	3242 ✓	»	Lg1	1	1	11444 ✓	»		1	2	1685, 1754 ✓	Oslo
		1	8123 ✓										Hmr.	1
K1	3	1	1321 ✓	Oslo	N1	1	2	2263, 2296 ✓	»	N2	2	1	14489 ✓	Brg.
L1	1	1	1543 ✓	»				2451 ✓	»				Nf1	1
		2	1	2352 ✓	»			2612, 2626 ✓	»					
		1	1	9823 ✓	Brg.			2657, 2662 ✓	»					
		1	1	15649 ✓	Dr.			2705 ✓	»					
L3	2	1	15973 ✓	»				2862, 2890 ✓	»	S1	2	1	1999 ✓	»
								6334, 6356 ✓	»				T13	1
							7516 ✓	»						

Forandringer, rettelser og tilføyelser:

Litra	Type	Antall	Vogn nr.	Distrikt	Fabrikant	Bygge- år	Gulv-	Rom-	Brems, oppvarming, belysning m. v. se side 6	Ho-ved-tegn.	Omtrentlig		Merknad		
							flate m. ²	innh. m. ³			egen-vekt tonn	laste-vevne tonn			
G1	3	5	8402—8406	Hmr.											
		3	8409—8411												»
		1	8413												»
		3	8419—8421												»
		1	15333												Dr.
G1	5	1	15342	»	Dr.	d.	1932	16,1	34,0	3. 6. 15	D.2939	7,0	10,0	} For transport av fiskekasser og reise-gods.	
		1	15348												»
G2	1	2	15353, 15354	Oslo											
		1	15050												»
		1	1159												»
		1	1161												»
		1	1167												»
		1	1169												»
		1	1171												»
		1	1173												»
		1	1175												»
		1	1179												»
		1	1217												»
		1	1227												»
		1	2912												»
		1	2917												»
		1	2920												»
		1	2923												»
		1	2927												»
		1	2929												»
		1	2933												»
		1	2936												»
		2	2940, 2941												»
		2	2950, 2951												»
		1	2953												»
		1	2956												»
		1	2959												»
		1	2961												»
		1	2966												»
		1	2969												»
		1	3190												»
		1	3195												»
		1	3197												»
		1	3212												»
1	3215	»													
1	3217	»													
1	3221	»													
1	3234	»													
1	3238	»													
1	3243	»													
1	3245	»													

Litra	Type	Antall	Vogn nr.	Distrikt	Fabrikant	Bygge- år	Gulv- flate	Rom- innh.	Brems, oppvarming, belysning m. v. se side 6	Ho- ved- tegn.	Omtrentlig		Merknad
											egen- vekt	laste- evne	
											tonn	tonn	
G2	1	1	3260	Oslo					15. 21. 29				
		1	3264	»					15. 21. 29				
		1	3266	»					15. 21. 29				
		1	3269	»					15. 21. 29				
		1	3272	»					15. 21. 29				
		1	3275	»					15. 21. 29				
		2	3279, 3280	»					15. 21. 29				
		1	3291	»					6. 15. 21. 29				
		2	3293, 3294	»					6. 15. 21. 29				
		1	3299	»					6. 15. 21. 29				
		1	3301	»					6. 15. 21				
		2	3310, 3311	»					15. 21. 29				
		1	5082	Hmr.					15. 21. 29				
		1	5085	»					15. 21. 29				
		1	6053	Oslo					15. 21. 29				
		1	6063	»					15. 21. 29				
		2	6065, 6066	»					15. 21. 29				
		1	6068	»					15. 21. 29				
		1	6075	»					6. 15. 21. 29				
		1	6079	»					6. 15. 21. 29				
		1	6135	»					6. 8. 15. 21				
		1	6139	»					15. 21				
		2	7067, 7068	»					15. 21. 29. 34				
		1	7072	»					15. 21. 29. 34				
		1	8089	Hmr.					6. 15. 21. 29				
		1	8103	»					6. 15. 21. 29				
		1	8124	»					15. 21. 29				
		2	8125, 8126	»					6. 15. 21. 29				
		1	8131	»					6. 15. 21. 29				
		1	8133	»					15. 21. 29				
		1	8135	»					6. 15. 21. 29				
		1	9232	Brg.					15. 21. 29				
		1	9234	»					15. 21. 29				
1	9248	»	Skabo		1909	16,1	34,0	15. 21. 29. 40	376	9,5	8,0	Beredskapsvogn Baneavd. Regnes som (intern vogn).	
1	10300	Thm.						15. 21. 29					
1	10304	»						15. 21. 29					
2	10332, 10333	»						15. 21. 29. 34					
1	10335	»						15. 21. 29. 34					
1	10338	»						15. 21. 29. 34					
1	14168	Brg.						15. 21. 29					
1	14183	»	»		1910	»	»	1H. 6. 21. 29. 40	»	9,0	9,5	Beredskapsvogn Baneavd. Regnes som (intern vogn).	
G3	1	1	2945	Oslo					1H. 6. 21. 29				
		1	2949	»					1H. 6. 21. 29				
		1	3063	»					1H. 6. 21. 29				
		2	3081, 3082	»					1H. 21. 29				
		1	3085	»					1H. 21. 29				
		1	3090	»					1H. 21. 29				
		5	3095—3099	»					1H. 21. 29				
		1	3105	»					1H. 21. 29				
		1	3107	»					15. 21. 29				
		1	3108	»					1H. 21. 29				
		1	3115	»					1H. 21. 29				
		1	3118	»					1H. 21. 29				
		1	3134	»					1H. 21. 29				
		2	3136, 3137	»					1H. 21. 29				
		1	3138	»					15. 21. 29				
		1	3143	»					1H. 21. 29				
		1	3146	»					1H. 21. 29				
		1	3149	»					1H. 21. 29				
		2	3154, 3155	»					1H. 21. 29				
		2	3159, 3160	»					1H. 21. 29				
		1	3319	»					1H. 21. 29				
		1	3321	»					1H. 21. 29				
		1	3326	»					1H. 21. 29				
		1	3328	»					1H. 21. 29				
		1	3330	»					1H. 21. 29				
		1	3332	»					1H. 21. 29				
		1	5653	Thm.						15. 21. 29			
		1	6081	Oslo						1H. 21. 29			
		2	6084, 6085	»						1H. 21. 29			
		2	6087, 6088	»						1H. 21. 29			
		3	6094—6096	»						1H. 21. 29			

Litra	Type	Antall	Vogn nr.	Distrikt	Fabrikant	Bygge- år	Gulv- flate	Rom- innh.	Brems- oppvarming, belysning m. v. se side 6	Ho- ved- tegn.	Omtrentlig		Merknad	
							m. ²	m. ³			egen- vekt tonn	laste- evne tonn		
G3	1	1	6099	Oslo					1H. 21. 29					
		1	6103	»					1H. 21. 29					
		1	6105	»					1H. 21. 29					
		1	6111	»					1H. 21. 29					
		1	8169	Hmr.					6. 15. 21. 29					
		1	8174	»					6. 15. 21. 29					
		1	8182	»					1H. 6. 21. 29					
		2	8194, 8195	»					1H. 21. 29. 34					
		1	10355	Thm.					6. 15. 21. 29					
		1	12179	»					6. 15. 21. 29					
		1	15206	Drm.					1H. 6. 21. 29					
		1	15211	»					1H. 21. 29					
		3	15213—15215	»					1H. 21. 29					
		1	15217	»					1H. 21. 29					
		3	15220—15222	»					1H. 21. 29					
		2	15224, 15225	»					1H. 21. 29					
		1	15231	»					1H. 21. 29					
		1	15236	»					15. 21. 29					
		1	15238	»					1H. 21. 29					
	1	15241	»					1H. 21. 29						
	1	15245	»					1H. 21. 29						
	1	15247	»					1H. 21. 29						
	1	15250	»					1H. 21. 29						
	1	17175	Oslo					6. 15. 21. 29						
	1	20792	Drm.					6. 15. 21. 29. 40						
	2	1	1	31029	Oslo				15. 24					
			1	31037	»				15. 24					
			2	31048, 31049	»				15. 24					
		3	1	31052	»				15. 24					
			1	31056	»				15. 24					
			1	32053	»				15. 24					
			1	31003	»				3. 15. 24					
1			31010	»				3. 15. 24						
1			32024	»				3. 15. 24						
G4			1	1	15415	Drm.				6. 15. 21. 24. 35				Nytt nr. 40007. Går som Ge. Tidl. tilhengervogn for ABolc. † Går nu som vanlig G4.
				1	40121	Oslo				3. 6. 15. 24. 35				
			1	40236	Drm.				1H. 3. 6. 24. 35. 40					
			1	40258	Thm.				1H. 3. 6. 24. 35					
	1	40390	»				1H. 3. 6. 24. 35							
	1	40392	»				1H. 3. 6. 24. 35							
	1	40414	»				1H. 3. 6. 24. 35							
	1	40636	Oslo				1H. 3. 6. 24. 35							
	1	40696	»				1H. 3. 6. 24. 35							
	1	40887	Hmr.				1H. 3. 6. 24. 35							
Gf2	1	1	2837	Oslo				3. 15. 26. ¹ 29. 34				Går som Ge.		
		1	6263	»				3. 15. 26. ¹ 29						
		2	8112, 8113	Hmr.				3. 6. 15. 26. ¹ 29						
		1	8141	»				3. 6. 15. 26. ¹ 29						
		1	8143	»				3. 6. 15. 26. ¹ 29						
		1	8145	»				3. 6. 15. 26. ¹ 29						
		1	10157	Thm.				3. 15. 26. ¹ 29						
		1	12151	»				3. 15. 26. ¹ 29						
		1	12157	»				3. 15. 26. ¹ 29						
		1	12160	»				3. 15. 26. ¹ 29						
		1	14059	Brg.				3. 15. 26. ¹ 29						
		2	1	2052	Oslo				3. 15. 26. ² 29					
			1	2055	»				3. 15. 26. ² 29					
			1	2057	»				3. 15. 26. ² 29					
	1		2117	»				3. 15. 26. ¹ 29						
	2		2845, 2846	»				3. 15. 26. ² 29						
	1		2849	»				3. 15. 26. ² 29						
	1		1 060	Brg.				3. 6. 15. 26. ¹ 29						
	3		14066—14068	»				3. 6. 15. 26. ¹ 29						
	1	14073	»				3. 6. 15. 26. ¹ 29							
	2	14077, 14078	»				3. 6. 15. 26. ¹ 29							
	1	14081	»				3. 6. 15. 26. ¹ 29							
1	14083	»				3. 6. 15. 26. ¹ 29								
1	17051	Oslo				3. 15. 26. ² 29								
1	17053	»				3. 15. 26. ² 29								

Litra	Type	Antall	Vogn nr.	Distrikt	Fabrikant	Bygge- år	Gulv- flate	Rom- innh.	Bremser, oppvarming, belysning m. v. se side 6	Ho- ved- tegn.	Omtrentlig		Merknad
							m. ²	m. ³			egen- vekt tonn	laste- evne tonn	
Gf2	2	2	17055, 17056	Oslo					3. 15. 26. ² 29				
		1	17062	»					3. 15. 26. ² 29				
		1	17066	»					3. 15. 26. ² 29				
		1	17069	»					3. 15. 26. ² 29				
		2	17071, 17072	»					3. 15. 26. ² 29				
		1	17074	»					3. 15. 26. ² 29				
		1	17076	»					3. 15. 26. ² 29				
		1	17080	»					3. 15. 26. ² 29				
Gf3	3	1	3161	»					3. 15. 26. ² 29				
		1	3169	»					3. 15. 26. ² 29				
		1	5097	Hmr.					3. 15. 26. ² 29				
		1	5099	»					3. 15. 26. ² 29				
		1	5666	Thm.					3. 15. 26. ² 29				
		3	5674—5676	»					3. 15. 26. ² 29				
		1	6122	Oslo					3. 15. 26. ² 29				
		2	6290, 6291	»					3. 15. 26. ¹ 29				
		1	10161	Thm.					3. 15. 26. ¹ 29				
		1	10164	»					3. 15. 26. ² 29				
		1	10168	»					3. 15. 26. ² 29				
		1	10173	»					3. 15. 26. ² 29				
		1	10175	»					3. 15. 26. ² 29				
		1	10178	»					3. 15. 26. ² 29				
		1	10182	»					3. 15. 26. ² 29				
		3	10188—10190	»					3. 15. 26. ² 29				
		1	10198	»					3. 15. 26. ² 29				
		1	10200	»					3. 15. 26. ² 29				
		1	10203	»					3. 15. 26. ² 29				
		1	14091	Brg					3. 15. 26. ² 29				
		1	14093	»					3. 15. 26. ² 29				
		1	14097	»					3. 15. 26. ² 29				
		3	17151—17153	Oslo					3. 15. 26. ² 29				
4	20754—20757	Drm.					3. 15. 26. ² 29						
1	20759	»					3. 15. 26. ² 29						
1	20761	»					3. 15. 26. ² 29						
1	23071	»					3. 15. 26. ² 29						
Gfo2	1	1	15254	»					3. 8. 13. 15. 26. ¹				
		1	15257	»					3. 8. 13. 15. 26. ¹				
		2	3335	Oslo					3. 6. 8. 13. 15. 26. ¹ 34. 37				
		1	5710	Thm.					3. 6. 8. 13. 15. 26. ¹ 34. 37				
		3	14130—14132	Brg.					3. 6. 8. 13. 15. 26. ¹ 34				
		1	14135	»					3. 6. 8. 13. 15. 26. ¹ 34				
		3	3407	Oslo					3. 6. 8. 13. 15. 26. ¹ 34. 38				
		1	10243	Thm.					3. 6. 8. 13. 15. 26. ¹ 34. 38				
1	14140	Brg.					3. 6. 8. 13. 15. 26. ¹ 34. 38						
2	15404, 15405	Drm.					3. 6. 8. 13. 15. 26. ¹ 34						
Gv2	1	1	12161	Thm.				5. 15. 21					
Gv3	1	1	3075	Oslo				1H. 6. 8. 21					
		1	3119	»				1H. 6. 8. 21					
Gvf2	1	1	2835	»				3. 8. 15. 26. ¹ 34				Innr. for potettransp.	
Hv1	1	1	8468	Hmr.				6. 8. 15. 21					
Hv2	1	1	6901	Oslo				6. 7. 15. 21					
Hvf4	1	1	8693	Hmr.				1KK. 3. 6. 7. 24. 26. ¹ 35					Nytt nr. 70012.
		1	8695	»				1KK. 3. 6. 7. 24. 26. ¹ 35					» » 70014.
		1	8698	»				1KK. 3. 6. 7. 24. 26. ¹ 35					» » 70017.
K1	2	1	1390	Oslo				15. 21					
		3	1395—1397	»				15. 21					
		1	2243	»				15. 21					

Litra	Type	Antall	Vogn nr.	Distrikt	Fabrikant	Bygge- år	Gulv-	Rom-	Brems- oppvarming, belysning m. v. se side 6	Ho- ved- tegn.	Omtrentlig		Merknad
							flate	innh.			egen-	laste-	
							m. ²	m. ³			vekt	evne	
											tonn	tonn	
K1	2	1	2260	Oslo					15. 21				
		1	3602	»					15. 21				
		1	3616	»					15. 21				
	3	1	3632	»					15. 21				
		1	1313	»					15. 21				
		1	1316	»					15. 21				
		2	1319, 1320	»					15. 21				
		1	1323	»					15. 21				
		1	1325	»					15. 21				
		1	1329	»					15. 21				
K2	1	1	5402	Hmr.					15. 21				
		1	15502	Drm.					15. 21				
		1	15510	»					15. 21				
		1	15514	»					15. 21				
		1	15518	»					15. 21				
		2	15526, 15527	»					15. 21				
		1	15532	»					15. 21				
		1	23043	»					15. 21				
		2	23046, 23047	»					15. 21				
		1	23051	»					15. 21				
L1	1	1	1534	Oslo					15. 21				
		1	1540	»					15. 21				
		1	1555	»					15. 21				
		1	1561	»					15. 21				
		1	1569	»					15. 21				
	2	1	5114	Hmr.					15. 21				
		1	6731	Oslo					15. 21				
		1	6733	»					15. 21				
		1	10626	Thm.					15. 21				
		1	10629	»					15. 21				
1		15643	Drm.					15. 21					
1		15650	»					15. 21					
2		15656, 15657	»					15. 21					
1		15664	»					15. 21					
1		15667	»					15. 21					
3	2	15672, 15673	»					15. 21					
	1	15676	»					15. 21					
	1	15678	»					15. 21					
	1	15681	»					15. 21					
	1	15702	»					15. 21					
	1	15709	»					15. 21					
	1	15634	»					15. 21					
	L2	1	1	1192	Oslo				6. 15. 21. 29				
			1	2919	»				15. 21				
		2	17065	»					3. 15. 29				
L3	2	1	3664	»				1H. 21					
		1	3714	»				1H. 21					
		1	3716	»					1H. 21				
		1	3719	»					1H. 21				
		1	3724	»					1H. 21				
		1	3725	»					1H. 21				
		1	3728	»					1H. 21				
		1	3786	»					1H. 21				
		1	3793	»					15. 21				
		1	3798	»					1H. 21				
		1	5135	Hmr.					1H. 21				
		2	5133, 5139	»					1H. 21				
		2	5407, 5408	»					15. 21				
		1	5420	»					1H. 21				
		1	5622	Thm.					1H. 21				
		1	5624	»					1H. 21				
		1	6773	Oslo					1H. 21				
		1	6774	»					15. 21				
		1	6932	»					1H. 21				
		1	6942	»					1H. 21				
1	6944	»					1H. 21						
1	6948	»					15. 21						

Litra	Type	Antall	Vogn nr.	Distrikt	Fabrikant	Bygge- år	Gulv-	Rom-	Bremser, oppvarming, belysning m. v. se side 6	Ho- ved- tegn.	Omtrentlig		Merknad	
							flate	innh.			egen-	laste-		
							m. ²	m. ³			vekt	evne		
											tonn	tonn		
L4	1	1	32131	Drm.					15. 21. 24					
		2	32138, 32139	»					15. 21. 24					
		1	32143	»					15. 21. 24					
		1	32151	»					15. 21. 24					
		2	32155, 32156	»					15. 21. 24					
		1	32176	»					15. 21. 24					
		1	32192	Oslo					15. 21. 24					
		1	32196	»					15. 24					
		1	32197	»					15. 21. 24					
		1	32200	»					15. 24					
		1	32210	»					15. 21. 24					
		1	32217	»					15. 21. 24					
		1	32224	»					15. 24					
		1	32226	»					15. 24					
		1	32228	»					15. 24					
		2	32237, 32238	»					15. 24					
		1	32249	»					15. 24					
		1	32271	»					15. 21. 24					
		1	32281	»					15. 24					
		1	32286	»					15. 21. 24					
		1	32292	»					15. 24					
		1	32300	»					15. 24					
		1	32316	»					15. 24					
		1	32330	»					15. 24					
		1	32349	»					15. 24					
		1	32366	»					15. 24					
		2	32369, 32370	»					15. 21. 24					
		1	32377	»					15. 21. 24					
		1	32382	»					15. 24					
		1	32386	»					15. 24					
		1	32402	»					15. 24					
		1	32459	Drm.					15. 21. 24					
		1	32465	Thm					15. 24					
		1	32471	»					15. 21. 24					
		2	32525, 32526	Brg.					15. 24					
		1	32533	»					15. 21. 24					
		1	32542	»					15. 21. 24					
		1	32561	»					15. 24					
		1	32573	»					15. 24					
		1	32580	»					15. 24					
		1	32594	Oslo					15. 24					
		1	32602	»					15. 24					
		1	32613	»					15. 24					
		1	32634	»					15. 21. 24					
		1	32638	»					15. 24					
		1	32643	»					15. 24					
		1	32661	»					15. 24					
		2	11195	»					3 15. 24					
		2	32262, 32263	Drm.					3. 15. 24					
		3	1	32528	Brg.				3, 15. 24					
		1	32610	Oslo					3. 15. 24					
		1	4135	»					15. 21. 24					
		1	4164	»					1H. 21. 24					
		1	20281	Drm.					1H. 21. 24					
		1	20282	»					1H. 21. 24					
		1	20288	»					1H. 21. 24					
		1	20357	»					1H. 21. 24					
		1	20362	»					1H. 21. 24					
1	20366	»					1H. 21. 21							
1	20882	Krs					1H 21. 24							
Lf4	1	1	11354	Oslo				3. 15. 24. 26 ¹						
		1	11365	»				3. 15. 24. 26 ¹						
		1	11382	»				3. 15. 24. 26 ¹						
		1	11393	»				3. 15. 24. 26 ¹						
		1	32149	D m.				3. 15. 24. 26 ¹						
		1	32178	»				3. 15. 24. 26 ¹						
		1	32253	Oslo				3. 15. 24. 26 ¹						
		1	32314	»				3. 15. 24. 26 ¹						
		1	32478	Thm.				3. 15. 24. 26 ¹						
		1	32552	Brg.				3. 15. 24. 26 ¹						
		1	32621	Oslo				3. 15. 24. 26 ¹						
		1	32631	»				3. 15. 24. 26 ¹						

Nytt nr 50001.
 » » 50095.
 » » 50032.
 » » 50033.
 » » 50039.
 » » 50063.
 » » 50068.
 » » 50072.
 » » 50086.

Litra	Type	Antall	Vogn nr.	Di- strikt	Fabrikant	Bygge- år	Gulv- flate	Rom- innh.	Brems- er, oppvarming, belysning m. v. se side 6	Ho- ved- tegn.	Omtrentlig		Merknad		
							m. ²	m. ³			egen- vekt tonn	laste- evne tonn			
Lg1	1	1	2309	Oslo									15. 21		
		1	2312										»	15. 21	
		2	2322, 2323										»	15. 21	
		1	9805										»	15. 21	
Lg2	1	1	11470	»									15. 21		
		1	11474										»	15. 21	
		1	11477										»	15. 21	
		2	11479, 11480										»	15. 21	
		1	11483										»	15. 21	
		1	11489										»	15. 21	
		1	11493										»	15. 21	
Lg3	1	1	9809	Brg.									15. 21		
LK1	1	1	3691	Oslo									15. 21		
		1	5164										Hmr.	15. 21	
		1	5169										»	15. 21	
		1	5171										»	15. 21	
		1	5173										»	15. 21	
		3	5175—5177										»	15. 21	
		1	5183										»	15. 21	
		1	9802										Brg.	15. 21	
		1	10636										Thm.	15. 21	
		1	10639										»	15. 21	
		1	15691										Drm.	15. 21	
		1	15963										»	15. 21	
LK3	1	1	6711	Oslo									15. 21		
		1	10655										Thm.	15. 21	
		1	15907										Drm.	15. 21	
		1	15915										»	15. 21	
		1	15917										»	15. 21	
		1	15923										»	15. 21	
		2	1422										Oslo	15. 21	
	1	1425	»	15. 21											
	1	1427	»	15. 21											
	1	1429	»	15. 21											
	1	1433	»	15. 21											
	1	1435	»	15. 21											
	5	1442—1446	»	15. 21											
	1	1448	»	15. 21											
Lt2	2	1	15613	Drm.									15. 21		
		1	15625										»	15. 21	
	3	1	2814	Oslo										15. 21	
		1	2816, 2817											»	15. 21
		1	2828											»	15. 21
		1	2858											»	15. 21
		2	4183, 4184											»	15. 21
		1	4191											»	15. 21
		1	4196											»	15. 21
		1	4204											»	15. 21
		1	4209											»	15. 21
		1	4218											»	15. 21
		1	4226											»	15. 21
		1	6433											»	15. 21
		1	6445											»	15. 21
		1	10873											Thm.	15. 21
1	10901	»	15. 21												
M1	1	1	2365	Oslo									15. 21		
		1	2371										»	15. 21	
		1	2379										»	15. 21	
		1	2385										»	15. 21	
		1	6143										»	15. 21	
		1	6149										»	15. 21	
		1	10373										Thm.	15. 21	
		1	10375										»	15. 21	
		1	10381										»	15. 21	
		1	10384										»	15. 21	
		1	10390										»	15. 21	
		2	10393, 10394										»	15. 21	

Litra	Type	Antall	Vogn nr.	Distrikt	Fabrikant	Bygge år	Gulv-	Rom-	Bremseser, oppvarming, belysning m. v. se side 6	Ho- ved- tegn.	Omtrentlig		Merknad	
							flate	innh.			egen- vekt	laste- evne		
							m. ²	m. ³			tonn	tonn		
MK1	1	1	9403	Brg.										
		1	9406	»										
		1	12401	Thm.										
		1	12410	»										
MK3	1	1	20234	Drm.										
		1	20249	»										
N1	1	1	2869	Oslo										
		1	6160	»										
		1	8663	Hmr.										
		1	8667	»										
		1	10996	Thm.										
		1	16170	Drm.										
		1	16252	»										
		1	16260	»										
		2	16269, 16270	»										
		1	20808	»										
		3	20813—20815	»										
		2	20818, 20819	»										
		1	20824	»										
		2	20832, 20833	»										
	1	20841	»											
	1	20843	»											
	1	20849	»											
	2	1	1653	Oslo										
		1	1749	Thm.										
		1	1839	Oslo										
		1	3952	»										
		1	3958	»										
		2	3986, 3987	»										
		1	3991	»										
		2	4029, 4030	»										
		1	4097	»										
		1	10850	Thm.										
3		16464	Drm.											
N2		1	1	2407	Oslo									
			1	2411	»									
	1		2418	»										
	1		2420	»										
	2		2806, 2807	»										
	1		4171	»										
	1		4175	»										
	1		4215	»										
	1		5319	Hmr.										
	1		6437	Oslo										
	1		6452	»										
	1		6455	»										
	1		6460	»										
	1		7551	»										
	1		7560	»										
	1		9532	Brg.										
	1		9536	»										
	2		10851, 10852	Thm.										
	1	10861	»											
	1	10891	»											
	1	10899	»											
	1	10906	»											
	1	10910	»											
	1	10912	»											
	1	11711	Oslo											
	2	11714, 11715	»											
	1	11719	»											
	1	11731	»											
	1	11738	»											
	2	11745, 11746	»											
1	11770	»												
2	11878, 11879	»												
3	11882—11884	»												
1	11891	»												
2	1	3634, 3635	»											
	2	3639, 3640	»											

Omb. til Re.

Litra	Type	Antall	Vogn nr.	Distrikt	Fabrikant	Bygge- år	Golv- flate	Rom- innh.	Brems- er, oppvarming, belysning m. v. se side 6	Ho- ved- tegn.	Omtrentlig		Merknad		
							m. ²	m. ³			egen- vekt tonn	laste- evne tonn			
N2	2	1	16434	Drm.					15. 21						
		1	16441		»				15. 21						
		2	16469, 16470		»				15. 21						
		1	16472		»				15. 21						
		1	16563		»				15. 21						
		1	16565		»				15. 21						
		1	20101		»				15. 21						
		1	20106		»				15. 21						
		1	20113		»				15. 21						
		1	20135		»				15. 21						
		1	20140		»				15. 21						
		1	20145		»				15. 21						
		1	20150		»				15. 21						
		5	20201—20205		»				15. 21						
		1	20208, 20209		»				15. 21						
		1	20211		»				15. 21						
		1	20228		»				15. 21						
		1	20705		»				15. 21						
		1	20708		»				15. 21						
		1	20721		»				15. 21						
	1	20727	»				15. 21								
	1	20740	»				15. 21								
	1	23003	»				15. 21								
	1	23005	»				15. 21								
	3		1	2441	Oslo					15. 21					
			1	2579		»				15. 21					
			1	2597		»				15. 21					
			1	2678		»				15. 21					
			1	2756		»				15. 21					
			1	2768		»				15. 21					
			1	3921		»				15. 21					
			1	3969		»				15. 21					
			2	3972, 3973		»				15. 21					
			1	4001		»				15. 21					
			1	4003		»				15. 21					
			1	5275		Hmr.				15. 21					
			1	5282			»			15. 21					
			2	5291, 5292		Oslo				15. 21					
			1	6346			»			15. 21					
			1	7511		Hmr.				15. 21					
			1	7531			»			15. 21					
			1	8516		Hmr.				15. 21					
			1	8521			»			15. 21					
			1	8542		Hmr.				15. 21					
1			8549	»					15. 21						
1			8568	Hmr.					15. 21						
1			8585			»			15. 21						
1			8615	Brg.					15. 21						
1	9511	»				15. 21									
1	10812	Thm.				15. 21									
1	10840		»			3. 15									
1	12520	Thm.				15. 21									
1	12535		»			15. 21									
1	16082	Drm.				15. 21									
1	16118		»			15. 21									
1	16140	Drm.				15. 21									
1	16160		»			15. 21									
1	16189	Drm.				15. 21									
1	16200		»			15. 21									
1	16206	Drm.				15. 21									
1	16228		»			15. 21									
1	16251	Drm.				15. 21									
2	16263, 16264		»			15. 21									
1	16282	Drm.				15. 21									
1	16310		»			15. 21									
1	16453	Drm.				15. 21									
1	10886		»			3. 15									
4		1	12544	Thm.				3. 15							
		1	10886		»			3. 15							
Nf2	1	1	10884	»				3. 15. 26 ¹							
	2	1	2711		Oslo			3. 15. 26 ¹							
Nfo1	1	1	6853	»				3. 15. 26 ¹							

Litra	Type	Antall	Vogn nr.	Distrikt	Ombygd ved	Bygge- år	Golv- flate	Rom- innh.	Brems- er, oppvarming, belysning m. v. se side 6	Ho- ved- tegn	Omtrentlig		Merknad		
							m. ²	m. ²			egen- vekt tonn	laste- evne tonn			
NP2	1	1	5308	Hmr.											
		2	10515, 10516	Thm.					15. 21						
		1	10518	»					15. 21						
		2	10520, 10521	»					15. 21						
		1	10525	»					15. 21						
		2	16314, 16315	Drn.					15. 21						
		1	16317	»					15. 21						
		1	16319	»					15. 21						
		1	16324	»					15. 21						
		1	16326	»					15. 21						
		1	16329	»					15. 21						
		3	16333—16335	»					15. 21						
		1	16339	»					15. 21						
		2	16341, 16342	»					15. 21						
		1	16344	»					15. 21						
		1	16351	»					15. 21						
		1	16356	»					15. 21						
		T3	1	3	4810—4812	Oslo					1H. 21				
				1	4813	»					15. 21				
				1	4814	»					1H. 21				
1	4817			»					1H. 21						
1	4819			»					1H. 21						
1	4821			»					1H. 21						
3	4823—4825			»					1H. 21						
1	4829			»					1H. 21						
1	4831			»					1H. 21						
1	4839			»					1H. 21						
1	4840			»					15. 21						
1	4842			»					1H. 21						
2	4845, 4846			»					1H. 21						
3	4848—4850			»					1H. 21						
1	4858			»					1H. 21						
2	4862, 4863			»					1H. 21						
1	4866			»					1H. 21						
1	4869			»					1H. 21						
2	4881, 4882			»					1H. 21						
1	4885			»					1H. 21						
1	4890			»					1H. 21						
1	6537			»					1H. 21						
3	6543—6545			»					1H. 21						
1	6547			»					1H. 21						
2	6550, 6551			»					1H. 21						
3	6553—6555			»					1H. 21						
1	6558			»					1H. 21						
1	6560			»					1H. 21						
2	6562, 6563			»					1H. 21						
2	6576, 6577			»					1H. 21						
1	6579			»					1H. 21						
2	6582, 6583			»					1H. 21						
1	6587			»					1H. 21						
1	6591			»					1H. 21						
2	6593, 6594			»					1H. 21						
2	6599, 6600			»					1H. 21						
1	6602			»					1H. 21						
3	6604—6606			»					1H. 21						
1	6611			»					1H. 21						
1	6614			»					1H. 21						
3	6620—6622			»					1H. 21						
1	6631	»					1H. 21								
2	6633, 6634	»					1H. 21								
3	6638—6640	»					1H. 21								
1	6644	»					1H. 21								
1	6646	»					1H. 21								
1	6649	»					1H. 21								
3	6651—6653	»					1H. 21								
1	6655	»					1H. 21								
2	6657, 6658	»					1H. 21								
1	6660	»					1H. 21								
1	11936	»					1H. 21								
1	11942	»					1H. 21								
1	11945	»					1H. 21								
1	14501	»		Brg.				1H. 21							

Litra	Type	Antall	Vogn nr.	Di- strikt	Fabrikant	Bygge- år	Golv- flate	Rom- innh.	Brems- er, oppvarming, belysning m. v. se side 6	Ho- ved- tegn.	Omtrentlig		Merknad		
							m. ²	m. ³			egen- vekt	laste- evne			
														tonn	tonn
T3	1	1	14504	Brg.					1H. 21						
		3	14507—14509	»					1H. 21						
		1	14511	»					1H. 21						
		1	14515	»					1H. 21						
		2	14521, 14522	»					1H. 21						
		1	14524	»					1H. 21						
		1	14528	»					1H. 21						
		3	17002—17004	Oslo						1H. 21					
		1	17010	»						1H. 21					
		5	17013—17017	»						1H. 21					
		1	17021	»						1H. 21					
		1	17091	»						1H. 21					
		1	17094	»						1H. 21					
		1	17096	»						1H. 21					
		1	17098	»						1H. 21					
		1	17100	»						1H. 21					
		1	17102	»						1H. 21					
		1	17105	»						1H. 21					
		1	17117	»						1H. 21					
		1	17121	»						1H. 21					
		1	17126	»						1H. 21					
		5	17128—17132	»						1H. 21					
		1	17134	»						1H. 21					
		1	17551	»						1H. 21					
		1	17554	»						1H. 21					
		1	17556	»						1H. 21					
		1	17561	»						1H. 21					
		2	1	1	11903	»				15. 21					
				1	11908	»				15. 21					
				1	11919	»				15. 21					
				1	11934	»				15. 21					
				1	11934	»				15. 21					
		T4	1	1	4702	»				1H. 21. 24					Nytt nr. 60071.
				1	4711	»				1H. 21. 24					» » 60080.
1	4732			»				1H. 21. 24					» » 60101.		
1	4738			»				1H. 21. 24					» » 60107.		
1	4740			»				1H. 21. 24					» » 60109.		
1	4741			»				1H. 21. 24					» » 60110.		
1	4744			»				15. 21. 24					» » 60113.		
1	4747			»				1H. 21. 24					» » 60116.		
1	4757			»				1H. 21. 24					» » 60126.		
1	4760			»				1H. 21. 24					» » 60129.		
1	4761			»				15. 21. 24					» » 60130.		
1	4794			»				1H. 21. 24					» » 60163.		
1	16594			Drm.				15. 21. 24					» » 60000.		
1	16600			»				1H. 21. 24					» » 60006.		
1	16605			»				1H. 21. 24					» » 60011.		
1	16629			»				15. 21. 24					» » 60035.		
1	16673			»				1H. 21. 24					» » 60054.		
1	16679			»				1H. 21. 24					» » 60060.		
1	16680			»				1H. 21. 24					» » 60061.		
1	60016			»				15. 21. 24							
1	60066			»				15. 21. 24							
Tol	1	1	4382	Oslo				15. 21							
		1	14901	Brg.				15. 21							
		1	14903	»				15. 21							
		1	14906	»				15. 21							
		1	14911	»				15. 21							
		1	17165	Oslo				15. 21							
		1	17167	»				15. 21							
To4	1	1	20304	Drm.				3. 15				Nytt nr. 60466.			
Tl3	1	1	2990	Oslo				15. 21							
		1	2994	»				15. 21							
		1	2996	»				15. 21							
		1	4898	»				15. 21							
		1	4901	»				1H. 21							
		1	4903	»				15. 21							
		1	5378	Hmr.				15. 21							
		1	5381, 5382	»				15. 21							
		1	5761	Thm.				15. 21							

Litra	Type	Antall	Vogn nr.	Di- strikt	Fabrikant	Bygge- år	Golv- flate	Rom- innh.	Brems- er, oppvarming, belysning m. v. se side 6	Ho- ved- tegn.	Omtrentlig		Merknad		
							m. ²	m. ³			egen- vekt	laste- evne			
											tonn	tonn			
T13	1	1	6216	Oslo					15. 21						
		1	6218		»					15. 21					
		1	6220		»						15. 21				
		1	6224		»						15. 21				
		1	6227		»						15. 21				
		2	6241, 6242		»						15. 21				
		2	6246, 6247		»						15. 21				
		1	6796		»						15. 21				
		1	6798		»						15. 21				
		1	6800		»						15. 21				
		1	6822		»						15. 21				
		1	6870		»						3. 15. 21				
		1	6876		»						3. 15. 21				
		1	6897		»						3. 15. 21				
		1	10441		Thm.							15. 21			
		3	10445—10447			»						15. 21			
		2	10449, 10450			»						15. 21			
		3	10456—10458			»						15. 21			
		2	10465, 10466			»						15. 21			
		2	10468, 10469			»						15. 21			
		1	10474			»						15. 21			
		2	10477, 10478			»						15. 21			
		2	10480, 10481			»						15. 21			
		1	10485			»						15. 21			
		1	10490			»						15. 21			
		1	10494			»						15. 21			
		1	10498			»						15. 21			
		1	10500			»						15. 21			
		2	10527, 10528			»						15. 21			
		1	10661	»							15. 21				
		1	10667	»							15. 21				
		1	10669	»							15. 21				
		1	10676	»							15. 21				
		2	10679, 10680	»							15. 21				
		1	10682	»							15. 21				
		1	10688	»							15. 21				
		1	10695	»							15. 21				
		1	10698	»							15. 21				
		1	10914	»							15. 21				
		1	10916	»							15. 21				
		1	10931	»							3. 15. 21				
		1	10951	»							3. 15. 21				
		1	10958	»							3. 15. 21				
		1	10962	»						3. 15. 21					
		1	10967	»						3. 15. 21					
		1	10975	»						15. 21					
		1	10979	»						15. 21					
		1	10983	»						15. 21					
		1	10989	»						15. 21					
		1	10995	»						15. 21					
		1	14529	Brg.							15. 21				
		1	14532		»						15. 21				
		1	14536		»						15. 21				
		1	14539		»						15. 21				
2	14543, 14544	»						15. 21							
1	14549	»						15. 21							
2	14556, 14557	»						15. 21							
1	14563	»						15. 21							
2	14566, 14567	Drm.							15. 21						
1	15537		»						15. 21						
2	15544, 15545		»						15. 21						
1	15548		»						15. 21						
1	15557		»						15. 21						
1	15559		»						15. 21						
1	15562		»						15. 21						
2	15567, 15568		»						15. 21						
1	15572		»						15. 21						
1	15574		»						15. 21						
1	15578		»						15. 21						
1	15585		»						15. 21						
1	15591		»						15. 21						
1	15596		»						15. 21						
1	15599		»						15. 21						

Litra	Type	Antall	Vogn nr.	Distrikt	Fabrikant	Bygge- år	Golv- flate	Rom- innh.	Brems- oppvarming, belysning m. v. se side 6	Ho- ved- tegn.	Omtrentlig		Merknad	
							m. ²	m. ³			egen- vekt tonn	laste- evne tonn		
Tl3	1	1	16477	Drm.					15. 21					
		1	16480		»				15. 21					
		2	16519, 16520		»				15. 21					
		1	16538		»				15. 21					
		1	16544		»				15. 21					
		1	16567		»				15. 21					
		1	17138		Oslo				15. 21					
		2	17142, 17143			»			15. 21					
		2	17146, 17147			»			15. 21					
		1	17159			»			15. 21					
		1	17161			»			15. 21					
Tl4	1	1	4258	»					15. 21. 24				Nytt nr. 60215.	
		1	4281			»			15. 21. 24			»	» 60238.	
		1	4286			»			15. 21. 24			»	» 60243.	
		1	4342			»			15. 21. 24			»	» 60303.	
		1	4357			»			15. 21. 24			»	» 60318.	
		1	4358			»			15. 21. 24			»	» 60319.	
		1	4394		»			1H. 21. 24			»	» 60385.		
		1	17723		Thm.				1H. 21. 24			»	» 60334.	
		1	17730			»			1H. 21. 24			»	» 60341.	
		1	17750		»				1H. 21. 24			»	» 60361.	
		1	17759		»				1H. 21. 24			»	» 60370.	
		1	20888		Krs.				15. 21. 24			»	» 60258.	
		1	20893			»			15. 21. 24			»	» 60263.	
		1	20894		»				15. 21. 24			»	» 60264.	
		1	20905		»				15. 21. 24			»	» 60275.	
		1	20910		»				15. 21. 24			»	» 60280.	
		1	20914		»				15. 21. 24			»	» 60284.	
Tlo3	1	1	16503	Drm.				3. 15						
Tlf3	1	1	4231	Oslo				3. 15. 26 ¹						
		1	4237		»			3. 15. 26 ¹						
		1	4907		»			3. 15. 26 ¹						
		1	4913		»			3. 15. 26 ¹						
		1	6829		»			3. 15. 26 ¹						
		1	10540		Thm.				3. 15. 26 ¹					
		1	10948			»			3. 15. 26 ¹					
		2	16487, 16488		Drm.				3. 15. 26 ¹					
Tlfo3	1	1	4928	Oslo				3. 15. 26 ¹						
		2	4934, 4935		»			3. 15. 26 ¹						
O4	1	1	17565	Thm.				15. 21						
		1	17568		»			1H. 21						
		1	17572		»			1H. 21						
		1	17573		»			15. 21						
		1	17575		»			1H. 21						
		1	17579		»			15. 21						
		1	17604		»			1H. 21						
		1	17609		»			1H. 21						
Oo4	1	1	16689	Drm.				3				Nytt nr. 74000.		
		1	16690		»			3. 15			»	» 74001.		
O4	1	1	17597	Thm.				3. 8. 15. 26 ¹						

Ad tillegg II b pr. 1/7, 1945:
 Side 1 — Nye vogner: Tl4 type 1 — 60656 — 60695 — skal stå: 60660 — 60695.
 Utrangerte vogner: G1 type 2 — 15075, 15076 — skal stå: type 1.

Typer som utgår:

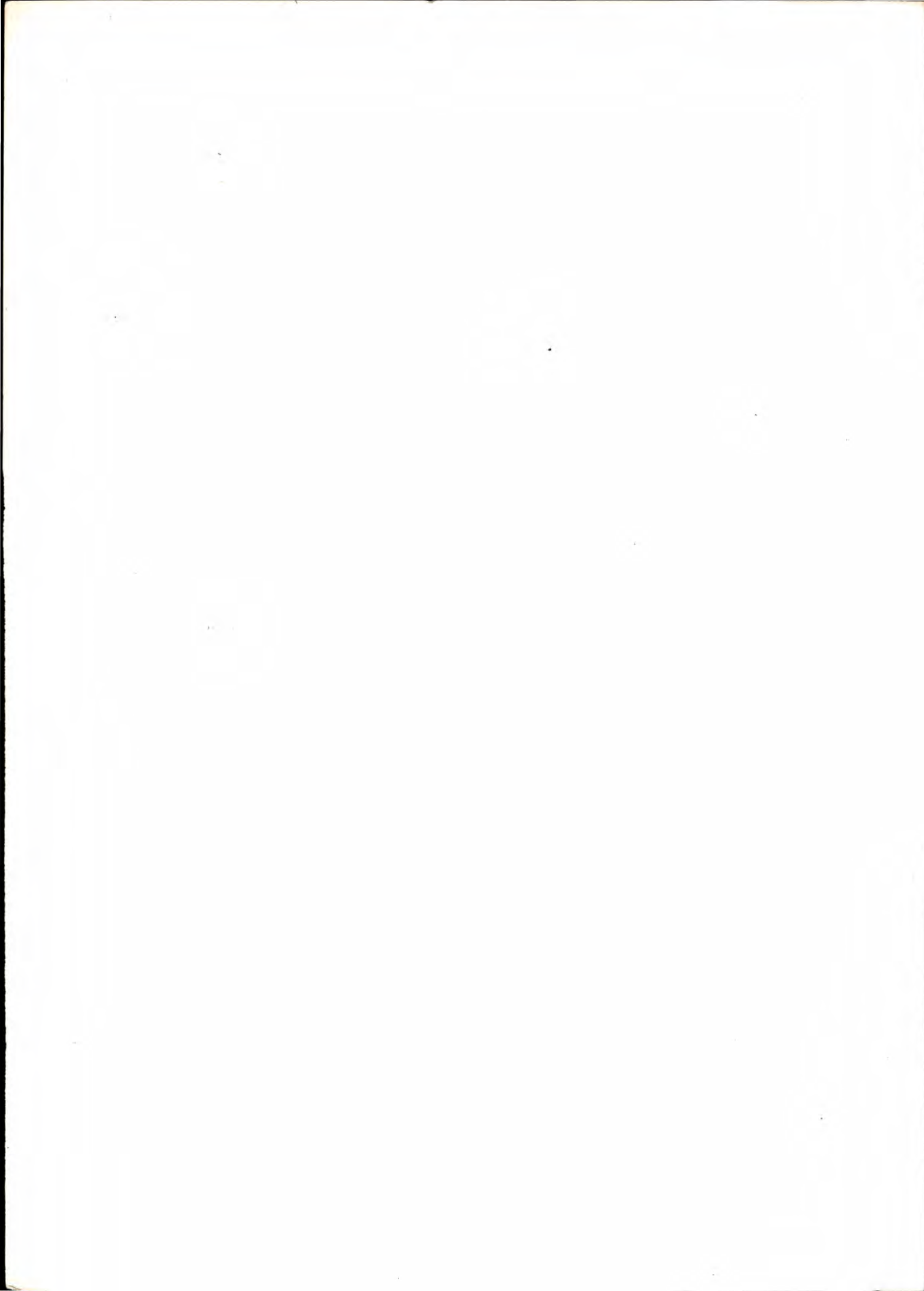
Gf2, type 3
 » » 4
 NPo3 » 2

Nye typer:

G2, type 4
 G3, » 4
 Hvf4, » 2

Maskinsjefens kontor,

Oslo, 1. juli 1946.



NORGES STATSBANER

Foruten dette tillegg gjelder også tillegg II, IIA, IIB og IIC.

Tillegg II d

til illustrert fortegnelse over godsvogner, bredt spor, av 1ste januar 1936

(Tilkomme og utrangerte vogner samt forandringer i tiden 1. juli 1946 - 30. juni 1948).

Nye vogner:

Litra	Type	Antall	Vogn nr.	Distrikt	Fabrikant	Bygge år	Gulv-	Rom-	Bremsar, oppvarming, belysning m. v. se side 6	Hovedtegn.	Omtrentlig		Merknad
							flate	innh.			egenvekt	lastevne	
							m ²	m ³			tonn	tonn	
G4	1	50	41073 - 41122	Thm	Strømmen	1947	27,7	58,0	1H.3.6.24.35	3735 + 4081	11,5	17,5	
		23	41123 - 41145	"	Skabo	1948	"	"	1H.3.6.24.35	3755	"	"	
		7	41273 - 41279	Drn	Eidsfos	"	"	"	1H.3.6.24.35	3735 + 4081	"	"	
Gx1	1	1	1451	"	Strømmen	1946	9,5	12,0	1H.21	B-21049	2,5	2,0	Godstilhengervg. for Cmde type 7. Tidl. F - vogn.
Gf2	1	1	14055	Brg	"	1906	16,1	34,0	3.15.26'	376+387	7,9	9,0	
Hvf4	2	13	70025 - 70037	Thm	Skabo	1947	18,7	35,6	1H.3.5.24.26'.34.39	5130	14,0	14,5	
		12	70038 - 70049	"	"	1948	"	"	1H.3.5.24.26'.34.39	"	"	"	
L4	3	52	50118 - 50169	"	Eidsfos	1946	21,8	24,0	1H.21.24	3989	8,5	20,0	
		39	50170 - 50208	"	Skabo	1947	"	"	1H.21.24	"	"	"	
		50	50220 - 50269	Drn	Eidsfos	"	"	"	1H.21.24	"	"	"	
		11	50209 - 50219	"	Skabo	1948	"	"	1H.21.24	"	"	"	
LK1	1	1	5170	Hnr	"	1909	13,0		15.21	911			Gjenoppbygget etter krigsskade, benyttes til vedtransp. Tidl. Rc - Krs
M1	1	1	11506	Oslo	Strømmen	1900	15,8	5,0	21	B.97			
NP2	1	1	10101	Thm	"	1908	18,9	5,9	21				2 stk.Np2-vg.er funnet med samme nr.Den ene vogn er gitt dette nr.
Qf4	1	1	11303	Oslo		1918		19,2	3.26'			15,0	Tidl.privatvg. med nr.500081 og 500082 tilh. Østl.Petrolco. Nu Statsb.eiendom.
		1	11304	"	Norddeutscher Waggonfabrik	1921		"	3.26'			"	
T14	1	37	60584 - 60620	"	Skabo	1946	28,7	22,8	1H.21.24	3770 + 4350	9,5	20,0	
		13	60696 - 60708	Thm	"	"	"	"	1H.21.24	"	9,0	"	
		57	60709 - 60765	"	"	1947	"	"	1H.21.24	"	9,5	"	
		7	60766 - 60772	"	Strømmen	"	"	"	1H.21.24	"	"	"	
		40	60773 - 60812	"	"	1948	"	"	1H.21.24	"	"	"	

Ombygde vogner:

Litra	Type	Antall	Vogn nr.	Di- strikt	Ombygd ved	År	Gulv-	Rom-	Brems-, oppvarming, belysning m.v. se side 6	Ho- ved- tegn.	Omtrentlig		Merknad		
							flate	innh.			egen-	Laste-			
							m ²	m ³			vekt	evne			
											tonn	tonn			
L2	1	2	2928, 3262 ✓	Oslo	Ham-Jern	1946	17,0	18,7	15.21	5567	6,5	11,0	Tidl. G2 type 1		
		1	3267 ✓	"	"	"	"	"	15.21	"	"	"	"		
		1	8137 ✓	Hmr	"	"	"	"	"	15.21	6,0	"	"		
		1	8466 ✓	"	"	"	"	"	15.21	5,5	11,5	"	Hv2 " 1		
		2	6251 ✓	Oslo	"	"	"	"	"	3.15	5568	6,5	10,5	"	Gf2 " 1
		2	3088 ✓	"	"	"	"	"	"	1H.21	"	7,5	15,5	"	G3 " 1
		1	3102 ✓	"	"	"	"	"	"	15.21	"	"	"	"	
		1	3123 ✓	"	"	"	1948	"	"	15.21	5567	7,0	15,5	"	"
		1	3154 ✓	"	"	"	1947	"	"	1H.21	"	7,5	"	"	"
		1	3393 ✓	"	"	"	"	"	"	15.21	"	"	"	"	
L3	2	1	5449 ✓	Hmr	"	"	"	"	15.21	"	7,0	16,0	"		
		1	5465 ✓	"	"	1948	"	"	1H.21	"	7,5	15,0	"		
		1	6086 ✓	Oslo	"	1947	"	"	"	15.21	5567	6,5	16,5	"	
		2	15194, 15199 ✓	Drm	"	"	"	17,0	18,7	15.21	"	7,0	16,0	"	
		2	15228, 15261 ✓	"	"	"	"	"	"	15.21	"	"	"	"	
		1	15398 ✓	"	"	"	"	17,0	18,7	15.21	"	7,5	15,5	"	
		1	17506 ✓	Thm	"	1946	"	"	"	15.21	"	7,0	16,0	"	
		1	20170 ✓	Drm	"	"	"	17,0	18,7	15.21	"	"	"	"	
		1	20187 ✓	"	"	"	"	"	"	15.21	5567	"	"	"	G3 " 2
		5	2	15779, 15790 ✓	"	"	47/48	"	"	15.21	"	"	"	"	La3 " 1
		7	1	5530 ✓	Hmr	"	1948	"	"	3.15	"	7,5	15,5	"	Hf3 " 1
		1	5535 ✓	"	"	1946	"	"	"	3	5678	"	"	"	"
		1	5541 ✓	"	"	1947	"	"	"	3.15	"	"	"	"	"
		1	5554 ✓	"	"	1948	"	"	"	3.15	"	8,0	15,0	"	"
		1	5566 ✓	"	"	1947	"	"	"	3	5678	"	"	"	"
		1	6978 ✓	Oslo	"	1946	"	"	"	3.7.15	5568	7,5	15,5	"	Hv3 " 1
		1	10042 ✓	Thm	"	"	"	"	"	3	5678	"	"	"	Hf3 " 1
		1	10053 ✓	Oslo	"	1947	"	"	"	3	"	"	"	"	"
		1	10054 ✓	"	"	1948	"	"	"	3.15	"	8,0	15,0	"	H3 " 1
		1	10204 ✓	Thm	"	1946	"	17,0	18,7	3.15	"	7,0	16,0	"	Gf3 " 3
1	14962 ✓	Brg	"	1947	"	"	"	3	5678	7,5	15,5	"	Hf3 " 1		
1	14970 ✓	"	"	"	"	"	"	3	"	8,0	15,0	"	"		
1	14971 ✓	"	"	"	"	"	"	3	"	7,5	"	"	"		
2	14972, 14976 ✓	"	"	1946	"	"	"	3	"	"	"	"	"		
1	14989 ✓	"	"	"	"	"	"	3	"	"	"	"	"		
1	15455 ✓	Drm	"	1947	"	"	"	3.7.15	"	"	"	"	Hvf3 " 1		
M1	1	1	2656 ✓	Oslo	"	"	"	21	"	"	"	"	N1 " 1		
Q4	1	2	60005, 60007	"	Trosvik v.	47/48	"	20,8	1H.21.24	T's nr. B-1153a, 1153-1, 1153-6 3770	17,0	"	T4 " 1		
		2	60019, 60028	"	"	"	"	"	1H.21.24		"	"	"		
		1	60080	"	Ham-Jern	1948	"	"	"		1H.21.24	"	"	"	
		2	60082, 60091	"	Trosvik v.	47/48	"	20,8	1H.21.24		"	17,0	"	"	
		1	60103	"	"	"	"	"	"		15.21.24	"	"	"	
Qol	1	2	60118, 60172	"	"	"	"	"	1H.21.24	"	"	"	"		
		1	60200	"	"	"	"	"	1H.21.24	"	"	"	"		
		2	2782, 2783 ✓	"	"	"	"	28,4	15.21	T's nr. B-1153a, 1153-1, 1153-6	20,0	"	To1 " 1		
		1	2785 ✓	"	"	"	"	"	15.21		"	"	"		
		2	4383, 4384 ✓	"	"	"	"	"	15.21		"	"	"	"	
		1	14902 ✓	"	"	"	"	"	15.21		"	"	"	"	
		6	14904, 14909 ✓	"	"	"	"	"	15.21		"	"	"	"	
		2	14911, 15996 ✓	"	"	"	"	"	15.21		"	"	"	"	
2	15999, 16000 ✓	"	"	"	"	"	15.21	"	"		"	"	"		
4	17165 - 17168	"	"	"	"	"	"	15.21	"		"	"	"		

Utrangerte vogner:

Litre	Type	Antall	Vogn nr.	Distrikt	Litra	Type	Antall	Vogn nr.	Distrikt	Litra	Type	Antall	Vogn nr.	Distrikt
G1	1	2	15071, 15088 ✓	Drm	Hv2	2	1	3533 ✓	Oslo	N1	1	2	2293, 2599	Oslo
		2	15093, 15105 ✓	"			2	8462, 8467 ✓	Hmr			2	2607, 2616	"
	2	2	15174, 15190 ✓	"	K1	1	3	2140, 2142 ✓	Oslo		2	2617, 2664	"	
		2	2039, 2104 ✓	Oslo			1	2144 ✓	"		2	2875, 2884	"	
G2	4	1	1085 ✓	"		2	2	2152, 2154 ✓	"		2	2	5283, 5294 ✓	Hmr
		1	1178, 1180 ✓	"			2	1389 ✓	"			1	6169 ✓	Oslo
	1	1	3199 ✓	"		1	1	2187 ✓	Drm		2	2	6317, 6320 ✓	"
		2	3207, 3214 ✓	"			1	2226 ✓	Oslo			2	6348, 6350 ✓	"
G3	1	1	3259 ✓	"		3	1	1333 ✓	"		2	2	6372, 6381 ✓	"
		1	5086 ✓	Hmr			K2	1	2			15506, 15528 ✓	Drm	1
	2	1	10308 ✓	Thm	L1	1	2	1527, 1528 ✓	Oslo		1	2	8507, 8559 ✓	Hmr
		1	3051 ✓	Oslo			2	1536, 1549 ✓	"			1	8621 ✓	"
G4	2	2	3112, 3116 ✓	"		2	1	1551, 1568 ✓	"		2	2	10819, 12529 ✓	Thm
		1	3132 ✓	"			1	8308 ✓	Hmr			1	16028 ✓	Drm
	1	1	15296 ✓	Drm	L3	2	1	9825 ✓	Brg		2	2	16047, 16081 ✓	"
		1	31047 ✓	Oslo			2	5428 ✓	Hmr			1	16130 ✓	"
Gf2	1	1	40775 ✓	Drm	L4	1	1	20031 ✓	Drm		2	2	16224, 16234 ✓	"
		1	8119 ✓	Hmr			1	11171 ✓	Oslo			2	1725, 1741 ✓	Oslo
Gv1	2	1	14086 ✓	Brg		1	1	32183 ✓	Drm		2	2	1748, 1772 ✓	"
		1	17081 ✓	Oslo			1	32400 ✓	Oslo			2	1774, 1781 ✓	"
	1	1	15126 ✓	Drm	Lg1	1	1	2333 ✓	"		1	1	1797 ✓	"
		1	3479 ✓	Thm			2	6708, 6710 ✓	"			2	1809, 1825 ✓	"
Hv1	1	1	3491 ✓	Oslo		1	1	9804 ✓	Brg		2	2	1931, 1937 ✓	"
		1	3495 ✓	Thm			1	10624 ✓	Thm			1	3981 ✓	"
	2	2	3501, 3512 ✓	Oslo		1	1	11446 ✓	Oslo		2	2	11642, 11647 ✓	"
		2	3518, 3522 ✓	"			Lg2	1	2			11492, 11497 ✓	"	N3
Gf2	2	2	5503, 5508 ✓	Hmr	M1	1	1	16013 ✓	Drm	NP2	1	1	10515 ✓	Thm
		2	5522, 5525 ✓	"			MK1	1	2			6813, 6817 ✓	Oslo	1
	1	1	5526 ✓	"		1	1	9404 ✓	Brg		1	1	4513 ✓	Oslo
		2	8475, 8477 ✓	"			Ms3	2	1			2129 ✓	Oslo	1
2	8486, 8700 ✓	"		1	15888 ✓	Drm								

NORGES STATS BANER

Tillegg II e

Foruten dette tillegg gjelder også
tillegg II, IIa - II d.

til illustrert fortegnelse over godsvogner, bredt spor, av 1ste januar 1936.

(Tilkomne og utrangerte vogner samt forandringer i tiden 1. juli 1948-30. juni 1949.)

Nye vogner:

Litra	Type	Antall	Vogn nr.	Distrikt	Fabrikant	Bygge år	Gulv-	Rom-	Brems oppvarm ing, belysning m. v. se side 6	Hoved- tegn.	Omtrentlig		Merknad
							flate	innh.			egen-	laste-	
							m ²	m ³			vekt	evne	
											tonn	tonn	
G4	1	27	41146-41172	Thm	Skabo	1948	27,7	58,0	1H.3.6.24.35	3755	11,5	17,5	} Brems erplatt- form
		18	41173-41190	"	"	"	"	"	1H.3.24.35	"	"	"	
		32	41191-41222	"	"	1949	"	"	1H.3.24.35	"	"	"	
		20	41223-41242	"	Eidsfos	"	"	"	1H.3.24	"	"	"	
		16	41280-41295	Drm	"	1948	"	"	1H.3.6.24.35	3735 + 4081	"	"	
		5	41296-41300	"	"	"	"	"	1H.3.24	"	"	"	
		2	41301,41302	"	"	1949	"	"	1H.3.24	"	"	"	
Lo3	1	24	16701-16724	"	Societé Me- tallurgique d'Enghien	"	22,4	24,6	1H.3	42447 A	15,5	30,5	
N1	1	1	2687	Oslo	Strømmen	1898	15,9	30,0	15.21	1) 400			} Tidl.utr. } nå gjen " Rc. } innsatt i tra- fikk
		1	6408	"	Skabo	1900	"	"	15.21	2)			
T14	1	28	60813-60840	Thm	Strømmen	1948	28,7	22,8	1H.21.24	3770 + 4350	9,5	20,0	

- 1) Kasse for vedtransport.
2) For transport av sviller.

Ombygde vogner:

Litra	Type	Antall	Vogn nr.	Di- strikt	Ombygd ved	År	Gulv-	Rom-	Brems oppvarm ing belysning m.v. se side 6	Hoved- tegn.	Omtrentlig		Merknad
							flate	innh.			egen-	laste-	
							m ²	m ³			vekt	evne	
											tonn	tonn	
L3	5	2	2793, 6756 ✓	Oslo	Drm.d.	1948/49			15.21				} Omb. fra L3-1
		1	15789 ✓	Drm	"	"			15.21				
		7	10044 ✓	Thm	Ham-Jern	1948			3.15		7,5	15,5	
M1	1	2	10056, -10058	"	"	"			3,15		"	15,0	" " H3-1
		1	16135 ✓	Drm	"	"			21				" " M1-1
Q4	1	1	60109	Oslo	Ham-Jern	1949			1H.3.6.21. 24.40		12,0	15,0	} Omb. fra T4-1
		1	60117	"	"	"			1H.3.21.24. 40		"	"	
		1	60163	"	"	"			1H.3.6.21. 24.40		"	"	

Forandringer, rettelser og tilføyelser:

Litra	Type	Antall	Vogn nr.	Di- strikt	Fabrikant	Bygge- år	Gulv- flate	Rom- innh.	Bremses, oppvarming, belysning m. v. se side 6	Hoved- tegn.	Omtrentlig		Merknad	
											egen- vekt	laste- evne		
							m ²	m ³			tonn	tonn		
G1	2	2	1118, 1122 ✓										Omb. Rc-Oslo	
		1	2101 ✓											" Rc-Hmr
G2	1	1	2934 ✓										" Rc-Thm	
		1	6058 ✓										" Rc-Oslo	
Gfo2	1	1	10194 ✓	Thm					3.6.8.13.15. 37		21,0 ²)	} Gr.riss 1 forandr. til 2		
		1	12182 ✓	"					3.6.8.13.15. 37		19,0 ²)			
		1	14103 ✓	Brg					3.6.8.13.15. 37					
L3	2	1	15757 ✓	Drm					21		6,5			
W1	1	1	2581 ✓										Omb. Rc-Oslo	
		1	2620 ✓										" " Thm	
		2	2663, 2778	Oslo						15.21			} Reservert for transport av sviller	
		2	6165, 6333	"						15.21				
		2	6344, 6409	"						15.21				
		1	12525	Thm						15.21				
		2	16090, 16191	Drm						15.21				
		2	16255, 16291	"						15.21				
		1	20849	"						15.21				
		2	1660, 1684	Oslo						15.21				
		1	1740 ✓											Omb. Rc-Oslo
		1	1777 ✓	Oslo						15.21				Reserv. for transp. av sviller
		1	1791 ✓											Omb. Rc-Thm
		2	1872, 1921 ✓	Oslo						15.21				Reserv. for transp. av sviller
		1	1938 ✓											Omb. Rc-Brg
1	1959 ✓	Oslo						15.21			} Reservert for transport av sviller			
2	3913, 3963 ✓	"						15.21						
2	11634, 11668 ✓	"						15.21						
Q4	1	1	11705 ✓	"					15.21			} Tank for transp. av melk.		
		1	60080 ✓	"					1H.3.21.24. 40					
T3	1	1	6647									Omb. privatvogn nr. 500148		
T4	1	1	60126 ✓	Oslo					1H.21.24			F.t. påmont. prov. tank for spredning av natriumkloratveske		

1) Ang. trykkluftbremse henvises til den ikke illustrerte vognfortegnelse.
2) Med ballast.

Utrangerie vogner:

Litra	Type	Antall	Vogn nr.	Distrikt	Litra	Type	Antall	Vogn nr.	Distrikt	Litra	Type	Antall	Vogn nr.	Distrikt
G1	1	2	15058, 15084 ✓	Drm	K1	2	1	3616 ✓	Oslo	MK1	1	1	6820 ✓	Oslo
		1	15147 ✓	"			2	3623, 3627 ✓	"			1	9403 ✓	Brg
	2	2	15152, 15154 ✓	"		3	2	1311, 1317 ✓	"		1	2	2458, 2503 ✓	Oslo
		2	1114, 1116 ✓	Oslo	1		1330 ✓	"	2			2619, 2652 ✓	"	
	2	2	2	1120, 1130 ✓	"	2	2	1339, 1340 ✓	"		2	2	2670, 2864 ✓	"
			1	8067 ✓	Hmr		K2	1	2			15505, 15517 ✓	Drm	1
3		8402 ✓	"	L1	1	2				1521, 1525 ✓	Oslo	2	6369, 7522 ✓	"
G2	1	2	3208, 3260 ✓	Oslo	2	2	1529, 1534 ✓	"	1	1	8514 ✓	Hmr		
		2	3280, 3291 ✓	"		2	1540, 2332 ✓	"		2	10817, 12518 ✓	Thm		
	2	2	6061, 6067 ✓	"	L1	2	1	9821 ✓	Brg	2	16100, 16110 ✓	Drm		
		2	8101, 8132 ✓	Hmr				1	10628 ✓	Thm	2	16177, 16252 ✓	"	
G3	1	1	5451 ✓	"	L3	2	1	15742 ✓	Drm	2	2	1672, 1743 ✓	Oslo	
Gf2	1	1	10158 ✓	Thm	1	1	17037 ✓	Oslo	2		1771, 1792 ✓	"		
Gv2	1	1	14191 ✓	Brg	L4	1	1	32323 ✓	"	2	2	1957, 1979 ✓	"	
H3	1	1	14961 ✓	"	3	1	50176 ✓	Thm	1		11650 ✓	"		
Hv1	1	1	3485 ✓	Oslo	Lf4	1	1	32539 ✓	Brg	N2	2	1	5351 ✓	Hmr
		2	3488, 3499 ✓	"	Lg1	1	2	2336, 11443 ✓	Oslo			3	1	5291 ✓
	2	2	3506, 3525 ✓	"	Lg2	1	2	11478, 11480 ✓	"	Nf2	1	1	12543 ✓	Thm
		2	5505, 5513 ✓	Hmr				2	11481, 11483 ✓				"	S1
1	8488 ✓	"	2	11490, 11494 ✓	"	2	6921, 6922 ✓	"						
Hv2	1	1	6901 ✓	Oslo	Lk1	1	1	15960 ✓	Drm	2	1	1989 ✓	"	
K1	1	2	2157, 2159 ✓	"	M1	1	1	3817 ✓	Oslo			Sf1	2	1
		2	1381, 1382 ✓	"				1	16014 ✓	Drm	T14			

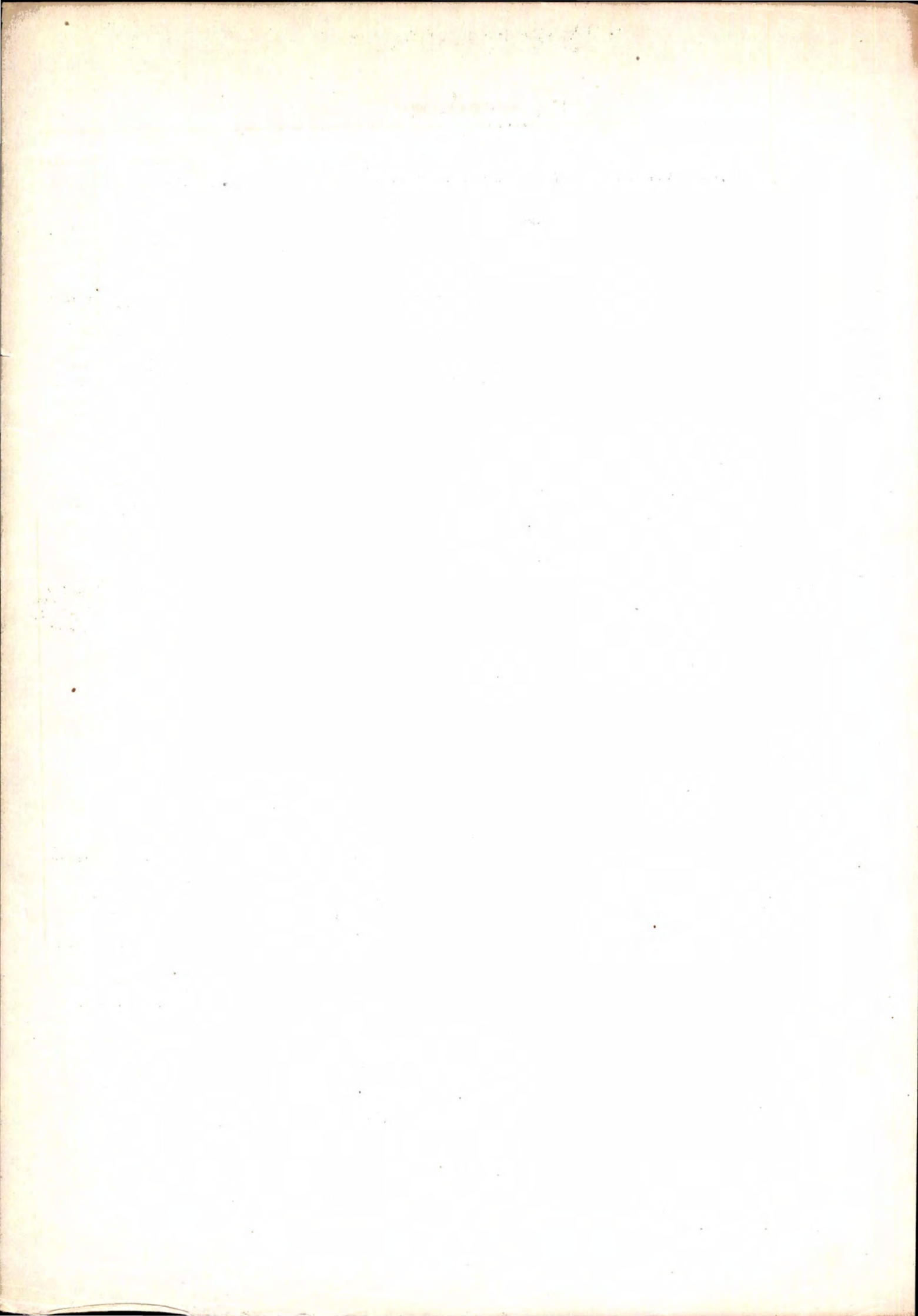
Ad tillegg II d:

Under "Ombygde vogner" er L3 type 2 nr. 20187 ombygd fra G3 type 1.

Nye typer:
Lo3 type 1.

Maskindirektørens kontor,

Oslo, 1. juli 1949.



NORGES STATSBANER

Foruten dette tillegg gjelder også
tillegg II, IIa - IIe.

Tillegg II f

til illustrert fortegnelse over godsvogner, bredt spor, av 1ste januar 1936.

(Tilkomne og utrangerte vogner samt forandringer i tiden 1. juli 1949 - 30. juni 1950.)

Nye vogner:

Litra	Type	Antall	Vogn nr.	Distrikt	Fabrikant	Bygge- år	Gulv- flate m. ²	Rom- innh. m. ³	Brems- er, oppvar- ming, belys- ning m.v., se side 6	Hoved- tegn.	Omtrentlig		Merknad.
											egen- vekt tonn	laste- evne tonn	
G4	1	20	41243-41262	Thm.	Eidsfos	1949	27,0	58,0	1H.3.24	3735	11,5	17,5	} Brems- plattform.
		3	41263-41265	"	"	"	"	"	1H.3.6.24.34.40	"	"	"	
		7	41266-41272	"	"	1950	"	"	1H.3.6.24.34.40	"	"	"	
Gx1	2	2	1452, 1453	Drn.	Höka	"	9,1	11,0	1H.21.	4-100	2,0	2,0	} Tilhenger til motor- vogner.
		1	1454	Krs.	"	"	"	"	1H.21	"	"	"	
		3	1455-1457	Oslo	"	"	"	"	1H.21	"	"	"	
		2	1458, 1459	Stv.	"	"	"	"	1H.21	"	"	"	
N1	2	1	1868	Oslo	Hovedb.s v.	1885	17,7	5,3	21	Ukjent			} Tidl. utr. nå igjen innsatt i trafikk.
		1	1717	"	Skabo	1888	"	"	21	"			
T14	1	17	60841-60857	Thm.	Strömmen	1950	28,7	22,8	1H.21.24	3770+ 4350	9,5	20,0	
		54	60941-60994	Drn.	Eidsfos	"	"	"	1H.21.24	"	"	"	
Öo4.	3	10	12001-12010	Thm.	Skabo	1906		25,0	1W	I/160 2	16,0	40,0	} Overtatt med Dunderlandsb.
										I/160 4 A			

Ombygde vogner:

Litra	Type	Antall	Vogn nr.	Di- strikt	Ombygd ved	År	Gulv- flate m. ²	Rom- innh. m. ³	Brems- er, oppvar- ming, belys- ning m.v., se side 6	Hoved- tegn.	Omtrentlig		Merknad
											egen- vekt tonn	laste- evne tonn	
N2	3	1	3962	Oslo					15.21				Omb. fra N1 type 2 " " T4 " 1
Q4	1	1	60115 ✓	"	Alfr. An- dersens Mek.v.	1950			1H.6.21.24.40 1)	40561A			

1) Påmontert tank for melktransport til Fellesmeieriet.

Forandringer, rettelser og tilføyelser:

Litra	Type	Antall	Vogn nr.	Distrikt	Bremser, oppvarming, belysning m. v. se side 6.	Merknad.			
G1	1	1	15146 ✓	Oslo	6.21	Omb. Rc - Brg. Går som tilhenger for motorvogn, type 13. Vakuumbremse.			
	2	1	1106 ✓						
	3	1	2108 ✓						
		1	15332 ✓						
G2	1	1	15349 ✓	Drm.	1H.3.6.24.35	Omb. Rl - Oslo. " " - Brg. " R - Brg. " Rc - Oslo " " - Brg.			
	1	1	1223 ✓						
G4	1	1	2937 ✓	Drm.	1H.3.6.24.35	Benyttes som reisegodsvogn, har elektr. lys og dører i endevegg. Omb. Rc - Oslo " Rl - " " Rc - " " Rl - " " Rc - Thm. " " " " Rl - " " Ro - Krs.			
Gf2	1	1	40476 ✓						
	1	1	6260 ✓						
		1	6268 ✓						
		2	6269, 6270 ✓						
		1	6275 ✓						
		1	10155 ✓						
1		12152 ✓							
Gf2o	1	1	12155 ✓				Hmr.	3.6.8.13.15.34.37	Ballasten fjernet.
	2	1	10193 ✓						
	2	1	5152 ✓						
H3	1	1	14130, 14133 ✓				Brg.	3.6.8.13.15.34	Tidl. Hf3-1
		1	14140 ✓	"	3.6.8.13.15.34.38				
		1	14145 ✓	"	3.6.8.13.15.34				
Hv3	1	1	14145 ✓	Oslo	1KK.3.6.35	Tidl. Hvf3-1			
		1	8447 ✓	Hmr.	1KK.3.6.35				
		1	3431 ✓	Oslo	3.5.7.15.35				
		2	3437, 3440 ✓	"	1KK.3.6.8.35				
		1	3461 ✓	"	3.5.7.15.35				
		2	5581, 5583 ✓	Hmr.	1KK.3.6.7.35				
		2	5595, 5596 ✓	"	1KK.3.6.7.35				
		1	6973 ✓	Oslo	3.5.7.15.35				
		1	6974 ✓	"	3.6.7.15.35				
		1	10067 ✓	Thm.	3.6.7.15.35				
		2	14936, 14947 ✓	Brg.	3.6.7.15.35				
		L4	2	1	14998 ✓		"	3.6.7.15.35	Tidl. Lf4-1
1	15456 ✓			Drm.	3.6.7.15.35				
2	17042, 17086 ✓			Oslo	3.6.7.15.35				
1	23082 ✓			T.P.B.	3.6.7.15.35.40				
1	32264 ✓			Oslo	3.15.24				
1	17523 ✓			Hmr.	Omb. Rs - Hmr.				
1	23465 ✓				" " - Drm.				
1	23486 ✓				" " "				
1	23487 ✓				" " Thm.				
H1	1			1	2569 ✓	Oslo	3.15	Omb. Rc - Oslo	
		1	2642 ✓	" " - Drm.					
		1	2683 ✓	" " - Stv.					
		1	5285 ✓	" " - Brg.					
		1	6163 ✓	" " - Thm.					
		1	6347 ✓	" " - Hmr.					
		1	6405 ✓	" " - Oslo					
		1	7539 ✓	" " - Thm.					
		1	7541 ✓	" " - Krs.					
		1	9509 ✓	" " - Oslo					
		1	12504 ✓	" " - Thm.					
		1	16150 ✓	" " "					
		1	16211 ✓	" " - Drm.					
		1	16242 ✓	" " - Oslo					
		1	16267 ✓	" " - Krs.					
		2	1	1833 ✓	" " - Thm.				
		1	1	11746 ✓	" " - Oslo				
		E2	1	1	6465 ✓			" Rl - "	
1	11904 ✓			" til privatvogn Q3 500151					
Tol	1	2	14912, 14913 ✓	" Rko - Krs.					
T13	1	1	10948 ✓	Thm.	3.15	Tidl. T1f3-1			
T1o3	1	1	4933 ✓	Oslo	3.15	" T1fo3-1			

Følgende 29 K1, type 1 vogner er ombygd til grusvogner (K1, type 1):

2272, 2283, 2442, 2445, 2447, 2473, 2489, 2582, 2598, 2677, 2685, 2880, 2885, 5277, 6345, 6366, 7538, 8551, 8571, 8623, 16032, 16148, 16155, 16156, 16187, 16202, 16223, 16241, 16269.

Følgende 115 K1 vogner er reservert for transport av sviller:

1660, 1678, 1684, 1746, 1751, 1821, 1868, 1904, 1946, 2261, 2265, 2269, 2275, 2286-2288, 2297, 2306, 2462, 2491, 2557, 2569, 2574, 2592, 2603, 2613, 2624, 2627, 2630, 2633, 2640, 2686-2688, 2695, 2696, 2760, 2765, 2777, 2780, 2861, 2876, 3903, 3924, 3967, 5274, 5280, 5281, 5287, 6153, 6155, 6157, 6160, 6306, 6312, 6340, 6353, 6354, 6360, 6365, 6375, 6377, 6398, 6401, 6403, 6406, 6408, 6413, 7523, 7535, 8584, 8609, 8619, 9510, 9515, 9518, 9519, 10803, 10805, 10820, 10996, 12514, 12536, 12537, 16038, 16058, 16067, 16078, 16094, 16109, 16114, 16126, 16127, 16149, 16170, 16172, 16179, 16181, 16182, 16192, 16193, 16203, 16207, 16233, 16260, 16293, 16299, 16304, 16447, 16461, 20805, 20821, 20836, 20842, 20843.

Utrangerte vogner:

Litra	Type	An-tall	Vogn nr.	Distrikt	Litra	Type	An-tall	Vogn nr.	Distrikt	Litra	Type	An-tall	Vogn nr.	Distrikt				
G1	1	2	15062,15082	Drn.	K1	3	1	1322	Oelo	N1	1	1	6302	Oelo				
		2	15114,15115	"			2	1325,1326	"			2	6412,6415	"				
		1	15134	"			2	1328,1331	"			1	7505	"				
	2	2	1104,1123	Oelo	K2	1	1	1336	"	Drn.	2	1	7536	"				
		2	1136,1137	"			1	23440	"			2	8612,8613	Hmr.				
		1	1152	"			L1	1	1531			Oelo	1	16104	Drn.			
		2	2042,2043	"			2	1555,1557	"			2	1651,1655	Oelo				
		1	2109	"			2	2357	"			2	1663,1677	"				
		1	7063	"			1	6736	"			2	1705,1707	"				
		1	3218	"			1	8307	Hmr.			1	1744	"				
		2	3235,3238	"			1	15658	Drn.			2	1779,1795	"				
1	6054	"	L3	2	15711	"	2	1810,1815	"									
G2	1	2	8111,8113	Hmr.	L4	1	1	32269	Oelo	2	2	1830,1837	"					
Hv1	1	1	3475	Thm.	Lg1	1	2	2346,2348	"	H2	1	2	1840,1845	"				
		2	3489,3490	Oelo			1	6702	"			2	1959,1865	"				
		2	3500,3505	"			2	6707,6709	"			1	1874	"				
		1	3527	"			2	11423,11424	"			1	1917	"				
		2	8472,8481	Hmr.			1	11427	"			1	10848	Thm.				
		2	14953,14954	Brg.			2	11437,11447	"			2	11602,11609	Oelo				
		1	14956	"			Lg2	1	2			11464,11468	"	2	11653,11657	"		
		2	8461,8463	Hmr.			2	11482,11485	"			1	11748	"				
		1	8465	"			2	11487,11489	"			2	1	6483	"			
		1	12911	Thm.			1	11493	"			4	1	12542	Thm.			
K1	2	3	1395,1397	Oelo	Lk1	1	1	3693	"	Nf2	1	1	12549	"				
		2	2167,2169	"			2	6988	"			3	1	2207	Oelo			
		2	2183,2186	"			M3	1	1			2273	"	S1	1	1	2897	"
		1	2236	"			1	1	2456			"	1	1	4512	"		
		2	2246,2257	"			1	1	2564			"	2	8451,8453	Hmr.			
		1	3602	"			1	1	2591			"	1	1	8455	"		
		2	3621,3631	"			1	1	2623			"	2	1	1996	Oelo		
		3	1	1312			"	2	2869,2871			"	Sf1	2	1	4516	"	
		2	1315,1316	"			1	1	2881			"	T1	1	1	2978	"	

Rettelser i fortegnelsen:

Følgende Gf2, type 2 har feil oppført byggeår 1910 skal være 1911: 2052, 2053, 2055-2057, 2059, 2060, 2116, 2117, 2119, 2120, 2841-2850, 17051-17059, 17061-17064, 17066-17070, 17072-17080, 17082, 17083.

"	Lt2	"	3	"	"	"	"	1909	"	"	1910: 5322.
"	N2	"	2	"	"	"	"	1909	"	"	1910: 5319, 5320, 5323, 5324.
"	NP2	"	1	"	"	"	"	1909	"	"	1910: 5305-5314, 5317, 5318.
"	H3	"	1	fabrikant feil oppført som Skabo skal være Strømmen:	5562, 5563, 5565.						
"	Hf3	"	1	"	"	"	"	"	"	"	: 5564.
"	Mk1	"	1	"	"	"	"	Strømmen	"	"	F.Crull & Co.: 6811, 6814, 6815, 6816, 6818, 6819.
"	N2	"	3	"	"	"	"	Skabo	"	"	Aadals Bruk: 16449.
"	L4	"	1	distrikt feil oppført som Oslo skal være T.P.B.:	32666.						
"	Lf4	"	1	"	"	"	"	"	"	"	: 32309.
"	"	"	1	"	"	"	"	Brg.	"	"	: 32516, 32523, 32536, 32537.

24 stk. Lo3, type 1 er omnummerert fra 16701-16724 til 23701-23724 og er merket T.P.B.

Typer som utgår:
Q2 type 3.

Nye typer:
Gx1 type 2
Lo3 " 1 (revidert)
Öo4 " 3

Maskindirektørens kontor,

Oslo, 1. juli 1950.

Joh

NORGES STATSBANER

Trykk 752

Foruten dette tillegg gjelder også tillegg II, IIA - IIF.

Tillegg IIg

til illustrert fortegnelse over godsvogner, normalspor, av 1. januar 1936.

Tilkomne og utrangerte vogner samt forandringer i tiden 1. juli 1950 - 30. juni 1952.

Nye vogner:

Litra	Type	Antall	Vogn nr.	Distrikt	Fabrikant	Bygge- år	Gulv- flate m ²	Rom- inh. m ³	Brems- Oppvarming belysning mv. Se side 6.	Hoved- tegn.	Omtrentlig		Anm.
											egen- vekt tonn	laste- evne tonn	
G 1	3	1	15303 ✓	Drn.	Eidsfoss	1914	14.3	29.5	15.21	1421	7.0	10.0	Tidl.intern. nå gjen- innsett i trafikk
G 4	1	1	41303	Oslo	Strømmen	1951	27.7	58.0	1H.3.24.35	3735 + 4081	11.5	17.5	
		1	41304 ✓	"	"	"	"	"	1H.3.6.24.35	"	"	"	Opprisset som Gc-vg
		68	41305-41372 ✓	"	"	"	"	"	1H.3.24.35	"	"	"	
		20	41373-41392 ✓	Drn.	Høka	"	"	"	1H.3.24	6283	"	"	
		33	41398-41430 ✓	"	Eidsfos	"	"	"	1H.3.24	"	"	"	
		5	41393-41397 ✓	"	Høka	1952	"	"	1H.3.24	"	"	"	
		17	41431-41447 ✓	"	Eidsfos	"	"	"	1H.3.24	"	"	"	
Gf2	3	1	2836 ✓	Oslo	Skabo	1899	13.0	26.8	3.8.15	376+387	8.0	9.0)	
		1	6271 ✓	"	Eidsfos	1905	"	"	3.8.36	"	"	"	
		1	14051	Brg.	Skabo	"	"	"	3.15	"	"	"	Tidl.F type 18
		1	14052	"	"	"	"	"	3.	"	"	"	
		2	14054, 14056	"	Strømmen	1906	"	"	3.15	"	"	"	Nå gjen- inntatt i
		1	14057	"	"	"	"	"	3.	"	"	"	godsvogn- parken
	4	2	11103, 11104	Oslo	"	1899	11,2	25.9	3.15	"	7.0	"	Tidl.F type 19
Gf3	1	1	8278	"	Eidsfos	1909	16.1	34.0	3.	"	8.0	14.5)	
		1	6279	"	"	"	"	"	3.5.15	"	"	"	Tidl. F type 17
		3	6281-6283	"	"	"	"	"	3.15.29	"	"	"	
		1	6286 ✓	"	"	"	"	"	3.5.8.15	"	"	"	
L1	2	1	10634	Thm.	"	1902	14.2	16.3	15.21	672	6.0	11.0	Tilb. fra intern vogn
L4	3	5	50270-50274	Oslo	Skabo	1950	21.8	24.0	1H.3.24	3989	8.5	20.0	
		45	50275-50319	"	"	1951	"	"	1H.3.24	"	"	"	
		50	50320-50369	"	"	1952	"	"	1H.3.24	"	"	"	
		15	50370-50384	Drn.	"	"	"	"	1H.3.24	"	"	"	
T14	1	8	60858-60865	Thm.	Strømmen	1950	28.7	22.8	1H.21.24	3770 + 4350	9.5	"	
		22	60866-60887	Oslo	"	"	"	"	1H.21.24	"	"	"	
		66	60995-61060	Drn.	Eidsfos	"	"	"	1H.21.24	"	"	"	
		25	60888-60912	Oslo	Strømmen	1951	"	"	1H.21.24	"	"	"	
		1	60914	"	"	"	"	"	1H.21.24	"	"	"	
		5	61061-61065	Drn.	Eidsfos	"	"	"	1H.21.24	"	"	"	
		1	60913	Oslo	Strømmen	1952	"	"	1H.21.24	"	"	"	
		26	60915-60940	"	"	"	"	"	1H.21.24	"	"	"	
		34	61066-61099	"	"	"	"	"	1H.24	"	"	"	
		10	61100-61109	"	"	"	"	"	1H.24	"	"	"	

Ombygde vogner:

Litra		Vogn nr.	Distrikt	Ombygd ved	År	Gulv- flate m ²	Rom- innh. m ³	Brems- Oppvarming belysning mv. Se side 6	Hoved- tegn.	Omtrentlig		Anm.
										egen- vekt tonn	laste- evne tonn	
L3	5	1 2798	Oslo			18.4	16.9	15.21	2175		15.0	
		1 6744	"	Drm.distr.	1950/51	"	20.2	15.21				Omb.fra Ls 3 type 1
		1 6757	"	"	"	"	"	21				
		1 15777	Drm.	Oslo distr.	1951	"	"	15.21				
	7	1 5543	Hnr.	Ham.Jern	"			3.15			15.0	
		1 5545	"	"	"			3.15				Omb.fra Hf3 type 1
		1 5567	"	"	"			3.15				type 1
		1 5569	"	"	"			3.15				Omb. fra H3 type 1
		1 5570	"	"	"			3.15				"
		1 14964	Brg.	"	"			3.15				Omb. fra Hf3 type 1
		2 14983,14986	"	"	"			3.15		7.5		"
		2 14992,14995	"	"	"			3.15				Omb. fra H3 type 1
		1 17045	Oslo	"	"			3.15				" " Hvf3 type 1
02	1	1 16701 ✓	Drm.	Drm.distr.	"			15.21				" " G2-1 nr. 8066
		1 16702 ✓	"	"	1950		7.5	15.21		6.0	11.5	Omb. K2-1 - nr. 5402
		1 16703 ✓	"	"	"			15.21		5.5		Omb. fra K2-1 nr. 5403
		1 16704 ✓	"	"	"			15.21		"		Omb. fra K2-1 nr. 5404
		1 16705 ✓	"	"	"			15.21		6.0		Omb. fra K2-1 nr. 15501
		1 16706 ✓	"	"	"			15.21		5.5		Omb. fra K2-1 nr. 15504
		1 16707 ✓	"	"	"			15.21		"		Omb. fra K2-1 nr. 15507
		1 16708 ✓	"	"	"			15.21		"		Omb. fra K2-1 nr. 15518
		1 16709 ✓	"	"	"			15.21		6.0		Omb. fra K2-1 nr. 15530
		1 16710 ✓	"	"	"			15.21		5.5		Omb. fra K2-1 nr. 15532
		1 16711 ✓	"	"	"			15.21		"		Omb. fra K2-1 nr. 15534
		1 16712	"	Arkerløkken	"			15.21				Omb. fra K2-1 nr. 15509
		1 16713	"	"	"			15.21				Omb. fra K2-1 nr. 15512
		1 16714	"	"	"			15.21		5.9		Omb. fra K2-1 nr. 15513
		1 16715	"	"	"			15.21				Omb. fra K2-1 nr. 15514
		1 16716	"	"	"			15.21				Omb. fra K2-1 nr. 15519
		1 16717	"	"	"			15.21				Omb. fra K2-1 nr. 15525
		1 16718	"	"	"			15.21		5.5		Omb. fra K2-1 nr. 15526
		1 16719	"	"	"			15.21				Omb. fra K2-1 nr. 15529

Ombygde vogner:

Idtra	Type	Antall	Vogn nr.	Distrikt	Ombygd ved	År	Gulv- flate m ²	Rom- innh. m ³	Bremses Oppvarming belysning mv. Se side 6	Hoved- tegn.	Omtrentlig		Ann.		
											eigen- vekt tonn	laste- evne tonn			
82	1	1	16720 ✓	Drm	Ankerløkken	1950			15.21		6.0	11.5	Omb. fra K2-1 Nr. 15533		
		1	16721 ✓	"	"	"			15.21		"	"	" " " " 15535		
		1	16732 ✓	"	Brg. distr.	1951			15.21			"	"	" " " " K2-3 " 16098	
		1	16733 ✓	"	"	"	"			15.21		7.0	"	" " " " G2-1 " 1170- Oslo	
		1	16734 ✓	"	"	"	"			15.21			"	" " " " N1-2 " 1972- Oslo	
		1	16735 ✓	"	"	"	"			15.21			"	" " " " N1-1 " 9519- Bergen	
		1	16736 ✓	"	"	"	"			15.21			"	" " " " N1-2 " 11639- Oslo	
		1	16742 ✓	"	"	"	"			15.21		6.0	"	" " " " N2-3 " 8516- Hvr	
		1	16743 ✓	"	"	"	"			15.21			"	" " " " " " 16045	
		1	16744 ✓	"	"	Ankerløkken	"		7.5	15.21		6.0	"	"	" " " " " " 8576
		1	16745 ✓	"	"	"	"		"	15.21			"	"	" " " " N1-2 " 3977
		1	16746 ✓	"	"	"	"		"	15.21			"	"	" " " " N1-1 " 2770
		1	16747 ✓	"	"	"	"		"	15.21			"	"	" " " " N2-3 " 2697
		1	16748 ✓	"	"	"	"		"	15.21		6.0	"	"	" " " " N1-1 " 16109
		1	16749 ✓	"	"	"	"		"	15.21		"	"	"	" " " " N1-1 " 6362
		1	16750 ✓	"	"	"	"		"	15.21			"	"	" " " " N2-3 " 16236
		1	16751 ✓	"	"	"	"		"	15.21			11.5	"	" " " " N1-1 " 10801
		1	16752 ✓	"	"	"	"		"	15.21			"	"	" " " " N1-2 " 3946
		1	16753	"	"	"	"		"	15.21			"	"	" " " " " " 1763
		1	16754	"	"	"	"		"	15.21			"	"	" " " " " " 11608
		1	16755	"	"	"	"		"	15.21			"	"	" " " " " " 11649
		1	16756	"	"	"	"		"	15.21			"	"	" " " " " " 11628
		1	16757	"	"	"	"		"	15.21			"	"	" " " " N1-1 " 5295
		1	16758	"	"	"	"		"	15.21			"	"	" " " " N1-2 " 11672
		1	16759	"	"	"	"		"	15.21		6.0	"	"	" " " " N1-1 " 6395
		1	16760	"	"	"	"		"	15.21			"	"	" " " " N1-2 " 1887
		1	16761	"	"	"	"		"	15.21			"	"	" " " " " " 1827
		1	16762	"	"	"	"		"	15.21			"	"	" " " " N1-1 " 6337
		1	16763	"	"	"	"		"	15.21			"	"	" " " " " " 2767
		1	16764	"	"	"	"		"	15.21			"	"	" " " " N1-2 " 11708
		1	16765	"	"	"	"		"	15.21			"	"	" " " " N1-1 " 6359
		1	16766	"	"	"	"		"	15.21			"	"	" " " " " " 2660
		1	16722	"	"	Drm distr.	1952			15.21		6.5	"	"	" " " " " " 16250
1	16723	"	"	"	"			15.21		"	"	"	" " " " " " 16227		
1	16724	"	"	"	"			15.21		"	"	"	" " " " " " 4085		
1	16725	"	"	"	"			15.21		"	"	"	" " " " " " 6164		
1	16726	"	"	"	"			15.21		"	"	"	" " " " " " 2655		
1	16727	"	"	"	"			15.21		"	"	"	" " " " " " 2886		
1	16728	"	"	"	"			15.21		"	"	"	" " " " " " 7520		
1	16729	"	"	"	"			15.21		"	"	"	" " " " N1-2 " 3914		
1	16730	"	"	"	"			15.21		"	"	"	" " " " N1-1 " 2600		
1	16731	"	"	"	"			15.21		"	"	"	" " " " " " 2587		
1	16737	"	"	Krs. distr.	"			15.21		"	"	"	" " " " N2-3 " 2756		
1	16738	"	"	"	"			15.21		"	"	"	" " " " " " 8607		
1	16739	"	"	"	"			15.21		"	"	"	" " " " N1-2 " 1924		

Ombygde vogner:

Litra	Type	Antall	Vogn nr.	Distrikt	Ombygd ved	År	Gulv- flate m ²	Rom- innh. m ³	Bremses Oppvarming belysning mv. Se side 6	Hoved- tegn.	Omtrentlig		Ann.	
											egen- vekt tonn	laste- evne tonn		
02	1	1	16740	Drw	Kre. distr.	1952		7.5	15.21			11.5	Omb. fra N1-2 Nr. 11644	
		1	16741	"	"	"	"	"	15.21			"	" " " " " 1760	
		1	16767	"	Ankerløkken	"	"	"	"	15.21			"	" " " N1-1 " 2638
		1	16768	"	"	"	"	"	"	15.21			"	" " " " " 2292
		1	16769	"	"	"	"	"	"	15.21			"	" " " " " 2269
		1	16770	"	"	"	"	"	"	15.21			"	" " " " " 2295
		1	16771	"	"	"	"	"	"	15.21			"	" " " " " 2681
		1	16772	"	"	"	"	"	"	15.21			"	" " " " " 16139
		1	16773	"	"	"	"	"	"	15.21			"	" " " N1-2 " 3928
		1	16774	"	"	"	"	"	"	15.21			"	" " " N1-1 " 2279
		1	16775	"	"	"	"	"	"	15.21			"	" " " " " 16040
		1	16776	"	"	"	"	"	"	15.21			"	" " " " " 12531
		1	16777	"	"	"	"	"	"	3.15			"	" " " N1-1 " 6422
		1	16778	"	"	"	"	"	"	15.21			"	" " " N1-1 " 6400
		1	16779	"	"	"	"	"	"	15.21			"	" " " " " 6408
		1	16780	"	"	"	"	"	"	15.21			"	" " " " " 9521
		1	16781	"	"	"	"	"	"	3.15			"	" " " " " 12514
		1	16782	"	"	"	"	"	"	15.21			"	" " " " " 8619
		1	16783	"	"	"	"	"	"	15.21			"	" " " " " 2450

Förändringar rättelser og tilføyelser:

Idtra	Type	Ant.	Vogn nr.	Distr.	Bremsar, oppv. belysn. mv. Se side 6	Merknad
G1	3	1	15343 ✓	Drn.		Omb. R - Oslo
G2	1	1	2913 ✓	Oslo		" R - Stv.
		1	2917 ✓	"		" R - Oslo
		1	2921 ✓	"		" R - Stv.
		1	3289 ✓	"	6.15.21.29	Fjernet ballast og støpt gulv
		1	3308 ✓	"		Omb. R - Oslo
		1	6077 ✓	"		" R - Stv.
		1	6078 ✓	"		" R - "
		1	8089 ✓	Hnr		" G - "
		1	8103 ✓	"		" R - "
		1	8126 ✓	"		" R - Brg.
		1	8131 ✓	"		" R - Oslo
	4	1	2843 ✓	Oslo	3.15.29	Tidl. Gf2 type 2
		2	14068, 14080 ✓	Brg.	3.6.15.29	" " " "
		2	17052, 17058 ✓	Oslo	3.15.29	" " " "
G2	4	1	17066 ✓	Oslo	3.15.29	Tidl. Gf2 -2
G3	1	1	14208 ✓	Brg.	6.15.21.29	Ballasten fjernet Ny v.v. 7.9 t.
		1	15237 ✓	Drn.		Omb. R - Krs.
	3	1	31004 ✓	Oslo	3.13.15.24	
	4	2	5674, 5677 ✓	Thm	3.15.29	Tidl. Gf3 type 3
		1	6291 ✓	Oslo	3.15.29	" Gf2 type 3
		2	10163, 10167 ✓	Thm	3.15.29	" " " "
		2	10171, 10186 ✓	"	3.15.29	" " " "
		2	10187, 10189 ✓	"	3.15.29	" " " "
		1	10201 ✓	"	3.15.29	" " " "
		1	14093 ✓	Brg.	3.15.29	" " " "
		1	14095 ✓	"	3.15.29	" Gf3 " "
		1	20758 ✓	Drn.	3.29	" Gf3 " "
		1	20759 ✓	"	3.15.29	" " " "
G4	1	1	40027	"	6.21.24.35.40	
		1	40236	"	1H.3.6.24.35.40)	
		1	40362	Oslo	1H.3.6.24.35.40)	Arr. for sykkeltransport
		1	41130	Thm	1H.3.6.24.35	Innredet for ostetransport
		1	41247	"	1H.3.24	Kjølevogninnredning Kullsyreis
Gf2	3	1	10237	"	3.6.8.13.15.38)	Ballasten Ny v.v. 17.0 t. Last 18.0 t.
		1	14147	Brg.	3.6.8.13.15)	fjernet " " " " " "
Gf02	1	1	6201	Oslo	3.8.13.15	" " " " " "
		1	6204	"	3.8.13.15	" " 16.0 t. " 19.0 t.
		1	6206	"	3.8.13.15	" " 15.0 " " 19.5 "
		1	6208	"	3.8.13.15	" " 16.0 " " 19.0 "
	2	1	3340	"	3.6.8.13.15	" " - " 17.0 "
		1	3343	"	3.6.8.13.15	" " 18.0 " " 17.0 "
		1	3344	"	3.6.8.13.15	" " 17.0 " " 18.0 "
		1	5703	Thm	3.6.8.13.15.37	" " " " " " "
		1	5707	"	3.6.8.13.15.37	" " " " " " "
	3	2	3398, 3399	Oslo	3.6.8.13.15.38	" " " " " " "
		1	3401	"	3.6.8.13.15.38	" " " " " " "

Forandringer rettelser og tilføyelser:

Litra	Type	Ant.	Vogn nr.	Distr.	Bremser, oppv. belysn. mv. Se side 6	Merknad	
Gr02	3	1	3404	Oslo	3.6.8.13.15.38	Ny v.v. 17.0 t.	Last 18.0 t.
		1	3408	"	3.6.8.13.15.38	" " "	" 17.0 "
		1	3409	"	3.6.8.13.15.38	" " 17.0 "	" 18.0 "
		1	10233	Thm.	3.6.8.13.15.38	" " 17.0 "	" 18.0 "
		1	10242	"	3.6.8.13.15.38	" " 17.0 "	" 18.0 "
		1	14144	Brg.	3.6.8.13.15	" " 17.0 "	" 18.0 "
		1	15377 ✓	Drn.	3.6.8.13.15	" "	" 17.0 "
		H3	1	2	3443, 3445 ✓	Oslo	IKK.3.6.35)
2	3538, 3545 ✓			"	IKK.3.6.35)		
1	8460 ✓			Hmr.	IKK.3.6.35)		
Hv 3	1	1	3433 ✓	Oslo	IKK.3.6.8.35)	Tidl. Hvf3 -1	
		1	3460 ✓	"	3.6.7.15.35)		
		1	3468 ✓	"	IKK.3.6.8.35)		
		1	5575 ✓	Hmr.	IKK.3.6.7.35)		
		1	5633 ✓	Thm.	3.6.7.15.35)		
		1	6917 ✓	Oslo	3.6.7.15.35)		
		2	8433, 8439 ✓	Hmr.	3.6.7.15.35)		
		2	8491, 8494 ✓	Hmr.	3.6.7.15.35)		
		1	15457 ✓	Drn.	3.6.7.15.35)		
		Hv 4	1	2	70000, 70012 ✓		Hmr.
1	70015 ✓			")		
1	70019 ✓			Drn.)		
Hvf4	2	50	70025-70074 ✓	Thm.	1H.3.5.24.35.39		
K1	2	1	2161 ✓	Oslo		Omb. R1-Drn.	
L 4	2	2	11197, 11382 ✓	"	3.15.24)	Tidl. L4 type 1	
		2	11383, 11385 ✓	"	3.15.24)		
		1	11390 ✓	"	1H.3.24)		
		2	11392, 11393 ✓	"	3.15.24)		
		3	23420-23422 ✓	T.P.B.	1H.3.24)		
		2	32144, 32147 ✓	"	3.15.24)		
		2	32154, 32189 ✓	"	3.15.24)		
		1	32253 ✓	Oslo	3.15.24)		
		1	32254 ✓	T.P.B.	3.15.24)		
		1	32259 ✓	"	1H.3.24)		
		2	32260, 32305 ✓	"	3.15.24)		
		2	32314, 32332 ✓	Oslo	3.15.24)		
		1	32361 ✓	T.P.B.	3.15.24)		
		1	32450 ✓	Drn.	1H.3.24)		
		1	32478 ✓	Thm.	3.15.24)		
		2	32518, 32540 ✓	Brg.	3.15.24)		
		2	32570, 32591 ✓	"	15.21.24)		
		1	32616 ✓	Oslo	3.15.24)		
		2	32621, 32622 ✓	"	3.15.24)		
		3	32623, 32625 ✓	T.P.B.	3.15.24)		
1	32639 ✓	Oslo	1H.3.24)				
1	32648 ✓	"	3.15.24)				
Lt2	1	1	3671 ✓	"	15.21	Omnnummerert til 7600	
		3	2821 ✓	"	15.21	" " 7625	
		1	2851 ✓	"	21	" " 7635	
		1	2852 ✓	"	15.21	" " 7636	
		1	2857 ✓	"	15.21	" " 7641	

Forandringer rettelser og tilføyelser:

Litra	Type	Ant.	Vogn nr.	Distr.	Bremser, oppv. belysn. mv. Se side 6	Merknad		
L&2	3	1	4185 ✓	Oslo	15.21	Omnummerert til 7649		
		1	4185 ✓	"	15.21	" " 7651		
		1	4187 ✓	"	15.21	" " 7653		
		1	4218 ✓	"	15.21	" " 7677		
		1	4228 ✓	"	15.21	" " 7684		
		1	10864 ✓	Thm	15.21	" " 7712		
		1	10865 ✓	"	15.21	" " 7713		
		1	10873 ✓	"	15.21	" " 7714		
M&2	1	1	23466 ✓	Drn.		Omb. Rs-Oslo		
		2	23471, 23472 ✓	"		" Rs-Thm		
		2	23483, 23490 ✓	"		" Rs-Drn.		
		1	23491 ✓	"		" Rs-Oslo		
		1	23492 ✓	"		" Rs-Thm		
		1	5499 ✓	Thm		" Rs-Oslo		
		M1	1	1	2264 ✓	Oslo		" Rc-Hnr
				1	2284 ✓	"		" Rc-Oslo
1	2288 ✓			"		" Rc-Stv.		
1	2300 ✓			"		" Rc-Brg.		
1	2460 ✓			"		" Rc-Oslo		
1	2590 ✓			"		" Rc-Krs.		
1	2605 ✓			"		" Rc-Thm		
2	6314, 6391 ✓			"		" Rc-Oslo		
1	8596 ✓			Hnr		" Rc-Hnr		
1	8662 ✓			"		" Rc-Krs.		
1	7530 ✓			Oslo		" R-Thm		
1	12526 ✓			Thm		" Rc-Thm		
1	12538 ✓			"		" Rc-Stv.		
1	16087 ✓			Drn.		" Rc-Brg.		
M2	1	1	16124 ✓	"		" Rc-Oslo		
		1	16196 ✓	"		" Rc-Thm		
		1	20827 ✓	"		" Rc-Oslo		
		2	1964 ✓	Oslo		" N-Krs. (internvogn)		
		3	7534 ✓	"		" R-Thm		
		4	12552 ✓	Thm	3.15	Tidl. Mf2 type 1		
		5	2709 ✓	Oslo	3.15	" " " 2		
		No1	1	15992 ✓	Drn	3.15	" Nfo 1" 1	
No2	1	1	6846 ✓	Oslo	3.15	" Nfo 2" 1		
		1	6850 ✓	"	3.15	" " " "		
		1	10935 ✓	Thm	3.15	" " " "		
		1	10936 ✓	"	3.15	" " " "		
		1	10939 ✓	"	3.15	" " " "		
Nfo 2	1	6854 ✓	Oslo		Omb. Rco-Hnr.			
Q3	2	3	4956-4958 ✓	"	3.15	Tidl. Qf3 -1		
		3	4986-4988 ✓	"	1H.3			
Q4	1	1	11303 ✓	"	3			
		1	60115 ✓	"	1H.3.6.21.24.40	Tidl. Qf 4-1. Tank for transport av melk		
S3	2	1	73004 ✓	"	1H.3.24			
		1	4534 ✓	"	1H.3.6.8	Tidl. Sf 3-1		

Forandringer rettelser og tilføyelser :

Litra	Type	Ant.	Vogn nr.	Distr.	Bremser, oppv. belysn. mv. Se side 6	M e r k n a d
S5	1	1	6982 ✓	Oslo	1H.3.6.8.	Tidl. Sf 3-1
		1	20256 ✓	Drn	1H.3.6.8	
Tol	1	1	2784 ✓	Oslo		Omb. Rco-Oslo " RKO-Krs.
		1	15998 ✓	Drn		
T13	1	2	4239, 4240 ✓	Oslo	1H.3	Tidl. Tlf3 -1
		2	4242, 4911 ✓	"	1H.3	
		3	4913, 4915 ✓	"	3.15	
		2	4916, 4920 ✓	"	1H.3	
		1	6836 ✓	"	1H.3	
		2	6831, 6866 ✓	"	1H.3	
		3	6872, 6874 ✓	"	1H.3	
		1	6900 ✓	"	1H.3	
		2	6891, 6998 ✓	"	1H.3	
		1	10534 ✓	Thm	1H.3	
		1	10537 ✓	"	3.15	
		2	10541, 10549 ✓	"	1H.3	
		2	10550, 10594 ✓	"	1H.3	
		2	10596, 10598 ✓	"	1H.3	
		2	10600, 10941 ✓	"	1H.3	
		2	10954, 10955 ✓	"	1H.3	
		1	10969, 10973 ✓	"	1H.3	
		2	14570, 14574 ✓	Brg.	1H.3	
		2	16490, 16491 ✓	Drn.	1H.3	
		T103	1	1	14917 ✓	

Følgende 38 stk. M1 type 1 vogner er ombygd til grusvogner (M1 type 1):

2267, 2444, 2453, 2457, 2479, 2543, 2551, 2585, 2611, 2666, 2765, 2771, 2779, 6319, 6349, 6358, 6383, 9517, 12510, 12513, 12553, 16069, 16078, 16116, 16162, 16180, 16209, 16212, 16218, 16248, 16249, 16254, 16295, 20811, 20818, 20834, 20838, 20847.

Utrangerte vogner:

Litra	Type	Ant.	Vogn nr.	Distrikt	Litra	Type	Ant.	Vogn nr.	Distrikt	Litra	Type	Ant.	Vogn nr.	Distrikt			
G1	1	2	15051, 15056	D	G2	1	2	3246, 3270	O	L1	1	2	1413, 1414	O			
		2	15061, 15080	"			1	3294	"			1	1451	"			
		2	15083, 15085	"			2	6053, 6055	"			2	1533, 1535	"			
		2	15095, 15099	"			2	6056, 6057	"			2	1539, 1542	"			
		2	15101, 15110	"			2	6059, 6060	"			2	1550, 1553	"			
		2	15112, 15116	"			2	6062, 6063	"			2	1558, 1559	"			
		1	15122	O			2	6064, 6065	"			1	1571	"			
		2	15127, 15130	D			1	6066	"			1	3758	"			
		2	15131, 15133	"			6	6071-6076	"			2	2354, 2358	"			
		2	15136, 15138	"			1	6079	"			2	5117, 5123	H			
		2	15150, 15151	"			2	8086, 8087	H			2	6731, 6735	O			
		2	15153, 15156	"			2	8093, 8094	"			2	8303, 8309	H			
		2	15160, 15161	"			2	8099, 8104	"			1	8311	"			
		2	15162, 15163	"			2	8128, 8130	"			2	10626, 10629	T			
		1	15168	"			4	8133-8136	"			2	10631, 10633	"			
		2	15173, 15178	"			1	8138	"			2	15651, 15655	D			
		2	15182, 15191	"			1	9250	B			2	15660, 15667	"			
	2	2	2	1101, 1103	O	G3	2	1	10299	T	L2	1	2	15673, 15679	"		
			2	1105, 1112	"			1	31046	O			2	15683, 15697	"		
			2	1117, 1119	"			G2	1	2			2832, 2837	"	2	15701, 15702	"
			2	1121, 1125	"					1			6252	H	4	23400, 23405	T.P.B.
			2	1127, 1129	"			5	6254-6258	O			1	8466	H		
			2	1135, 1138	"			4	6262-6265	"			2	6251	O		
			2	1144, 1149	"			2	8110, 8112	H			L3	2	10650	T	
			2	1153, 1155	"			1	12151	T				L4	1	11371	O
			2	2034, 2037	"			4	11103	O			1		32522	B	
			2	2038, 2048	"			Gv1	1	2			15100, 15119	D	1	32666	T.P.B.
			2	2049, 2092	"					Gvf2			1	2	2833, 2835	O	3
			1	2105	"			1	11105					"	Lr4	1	11395
			2	7051, 7059	"			Hv1	1	2			3473, 3476	T		1	23419
			2	8054, 8077	H					2			3482, 3484	O	Lg1	1	2309, 2312
			1	10293	T			1	3494	"			2	2315, 2325		"	
			3	2	2			8411, 8420	H	1			3498	T	2	2339, 2343	"
2	15351, 15352	D			2	3510, 3511	O	2	6701, 6706	"							
2	1034, 1092	O			1	3517	"	1	9801	B							
4	2	1	10289	T	1	5512	H	2	10622, 10623	T							
		1	10289	T	2	8470, 8473	"	2	11426, 11429	O							
G2	1	2	1159, 1161	O	Hv2	1	1	8484	"	Lg2	1	3	11434-11436	"			
		3	1162-1164	"			1	20665	D			2	11438, 11441	"			
		2	1167, 1171	"			1	6902	O			2	11445, 11449	"			
		2	1173, 1174	"			K1	1	2			2139, 2147	"	1	12801	T	
		2	1177, 1179	"					2			2149, 2151	"	1	15956	D	
		8	1181-1188	"			1	2156	"			1	2	11463, 11465	O		
		2	2912, 2916	"			2	1380, 1383	"				2	11469, 11470	"		
		2	2918, 2920	"			2	1390, 1399	"			2	11472, 11475	"			
		2	2922, 2923	"			2	2178, 2198	"			2	11476, 11488	"			
		2	2925, 2929	"			2	2218, 2242	"			1	11495	"			
		2	2932, 2933	"			1	2243	"			Lk1	1	5171	H		
		2	2935, 2938	"			2	3609, 3612	"				1	10638	T		
		2	2939, 2940	"			2	3620, 3629	"			M1	1	2506, 2512	O		
		1	2942	"			3	1329	"				MK1	1	6805, 6815	"	
		1	3198	"			2	1334, 1338	"			1		6819	"		
		1	3211	"			L1	1	1			1404	"	1	1745	"	
		2	3225, 3237	"													

Utrangerte vogner:

Litra	Type	Ant.	Vogn nr.	Distrikt	Litra	Type	Ant.	Vogn nr.	Distrikt	Litra	Type	Ant.	Vogn nr.	Distrikt	
N1	1	2	1844, 1856	O	N1	2	1	1881	O	N 2	3	2	8508, 2521	H	
		2	2480, 2488	"			3	1883-1885	"			2	8532, 8533	"	
		1	2529	"			2	1891, 1894	"			1	8546	"	
		2	2572, 2584	"			2	1895, 1900	"			2	8562, 8569	"	
		1	2636	"			2	1906, 1907	"			2	8578, 8586	"	
		2	2663, 2667	"			2	1909, 1910	"			1	8595	"	
		2	2672, 2673	"			3	1912-1914	"			2	8605, 8625	"	
		2	2689, 2692	"			2	1916, 1919	"			2	16026, 16030	D	
		1	2703	"			2	1922, 1925	"			2	16044, 16051	"	
		2	2759, 2772	"			1	1926	"			2	16061, 16071	"	
		1	2873	"			3	1928-1930	"			2	16093, 16096	"	
		1	4012	"			2	1934, 1935	"			No3	1	23435	B
		2	5267, 5298	H			2	1942, 1944	"			Nf1	1	6416, 6419	"
		2	6323, 6355	O			7	1948-1954	"				1	6424	"
		2	6393, 7518	"			2	1955, 1956	"			Nf2	1	10881, 10885	T
		1	7519	"			4	1966-1969	"				1	10888	"
		1	8538	H			1	1971	"			Nfo1	1	6851, 6855	O
		1	9510	B			5	1974-1978	"				2	6851, 6858	"
		1	12524	T			1	3939	"				2	6859, 6861	"
		1	16046	D			2	4025, 4042	"				2	6863, 6864	"
		2	16052, 16055	"			1	4095	"			S 1	1	2893, 6923	"
		2	16068, 16073	"			3	11603-11605	"				1	8456	H
		2	16144, 16147	"			2	11611, 11614	"			Sf1	2	15495	D
		2	16221, 16237	"			2	11617, 11620	"			T1	1	2979, 2982	O
		2	16238, 16240	"			2	11621, 11622	"			T1 4	1	60411	"
		2	1653, 1659	O			2	11624, 11626	"				1	60735	T
		2	1667, 1668	"			2	11630, 11631	"				1	60853	"
		2	1681, 1686	"			2	11633, 11636	"						
		2	1690, 1693	"			2	11643, 11645	"						
		2	1697, 1706	"			2	11648, 11651	"						
		2	1710, 1711	"			1	11652	"						
		2	1713, 1716	"			2	11656, 11659	"						
		2	1719, 1721	"			2	11660, 11663	"						
		2	1722, 1727	"			3	11667-11669	"						
		2	1730, 1731	"			3	11673-11675	"						
		2	1733, 1736	"			2	11677, 11678	"						
		2	1737, 1747	"			1	11683	"						
		2	1750, 1753	"			2	2406, 4175	"			N2	1	2406, 4175	"
		2	1755, 1759	"			1	7559	"				1	7559	"
		2	1761, 1764	"			2	6463	"				1	6463	"
		2	1769, 1770	"			3	1889, 2268	"				2	1889, 2268	"
		2	1773, 1775	"			2	2335, 2597	"				2	2335, 2597	"
		2	1777, 1784	"			2	2634, 2668	"				2	2634, 2668	"
		2	1785, 1789	"			2	2674, 2769	"				2	2674, 2769	"
		2	1794, 1796	"			1	2775	"				1	2775	"
		10	1799-1808	"			1	3917	"				1	3917	"
		2	1811, 1812	"			1	5286	H				1	5286	H
		2	1816, 1819	"			2	6329, 6331	O				2	6329, 6331	O
2	1822, 1823	"	2	6339, 6342	"		2	6339, 6342	"						
2	1826, 1828	"	2	6346, 6363	"		2	6346, 6363	"						
2	1834, 1839	"	2	7501, 7506	"		2	7501, 7506	"						
2	1841, 1850	"	1	7511	"		1	7511	"						
2	1855, 1864	"	2	7513, 7547	"		2	7513, 7547	"						
2	1868, 1875	"	2	8502, 8506	H		2	8502, 8506	H						

Ad tillegg II f.

Under "Forandringer etc." rettes N1-vogn nr. 6465 til type 2.

Under "Vogner reservert for svilletransport" rettes 2306 til 2300, 2569 strykes og 16126 rettes til 16121.

Under "utrangerte vogner" rettes N1-type 2 nr. 1959 til 1859.

Typer som utgår:

G1 type 4
 " " 6
 Gv1 " 1
 No3 " 1
 Gf3 " 1

Nye typer:

No1 type 1 }
 "o2 " 1 }
 Q3 " 2 } avtatt
 Q4 " 2 }
 G2 " 1 }
 Gf2 " 3 } Midlertidige F-vogner
 " " 4 } tilbakeført som Gf-vogner

Maskindirektørens kontor,

NORGES STATSBANER

Foruten dette tillegg gjelder også tillegg II, IIa - IIg.

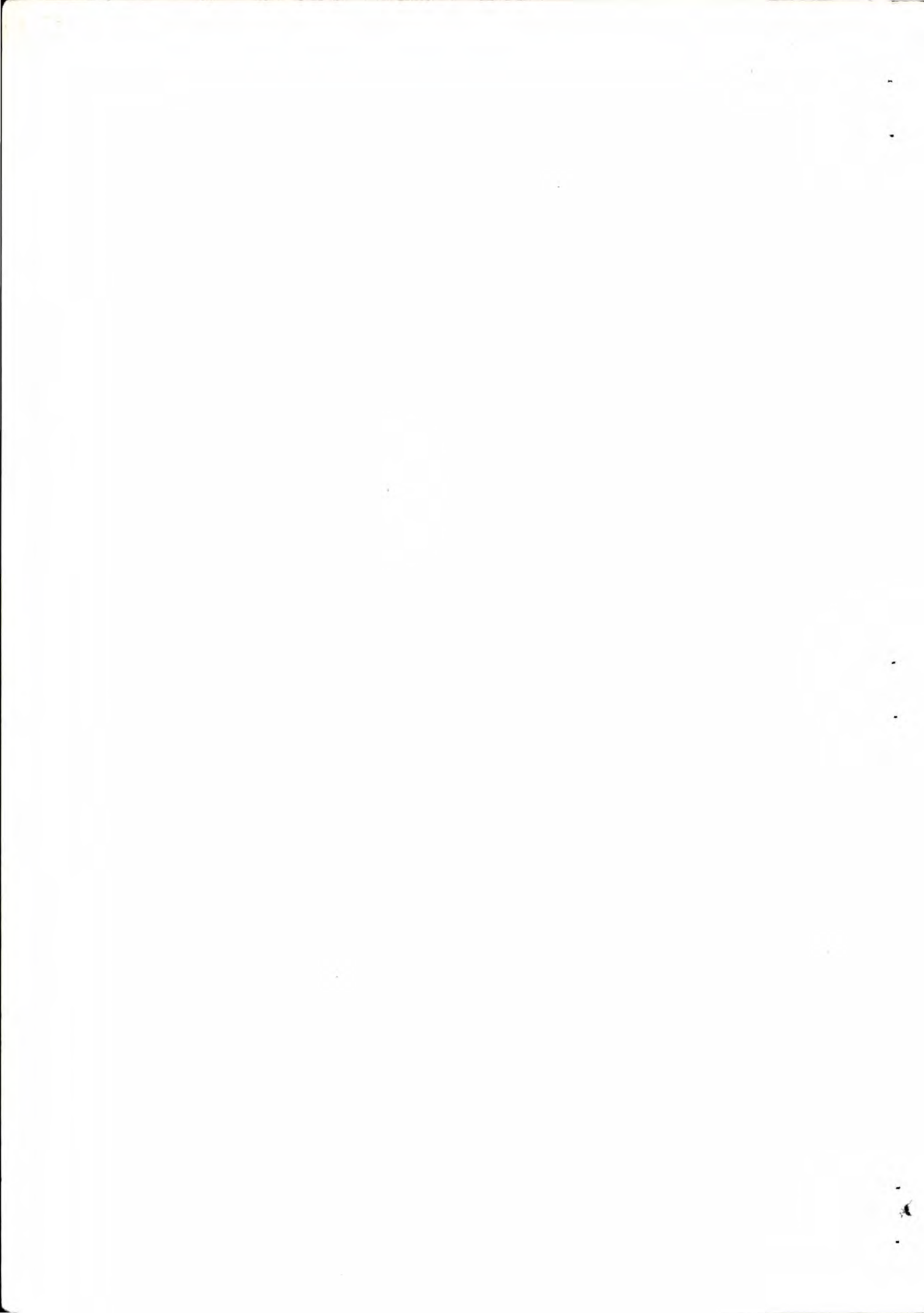
Tillegg II h

Til illustrert fortegnelse over godsvogner, normalspor, av 1.januar 1936

(Tilkomne og utrangerte vogner samt forandringer i tiden 1. juli 1952-30. juni 1954.)

Nye vogner:

Litra	Type	Antall	Vogn nr.	Distrikt	Fabrikant	Byggeår	Gulvflate m ²	Rominnh. m ³	Bremser, oppvarming, belysning m. v. se side 6	Hovedtegn.	Omtrentlig		Merknad		
											egenvekt	lastevne			
											tonn	tonn			
G4	1	30	41801-41830	Drm	Eidsf.	52	27,7	58,0	1H.3.24	6475	12,0	17,5	x) +6871 og 6879		
		15	41831-41845	"	"	53	"	"	1H.3.24	"	"	"			
		1	41876	"	Höka	52	"	"	1H.3.24	"	"	"			
		11	41877-41887	"	"	53	"	"	1H.3.24	"	"	"			
	2	5	42000-42004	"	Eidsf.	"	"	"	1H.3.24	"x)	"	"			
		25	42005-42029	"	"	"	27,2	57,0	1H.3.24	6882	"	"			
		56	42030-42085	Oslo	Skabo	"	"	"	1H.3.24	"	"	"			
		44	42086-42129	"	"	54	"	"	1H.3.24	"	"	"			
		45	42180-42224	"	Strm.	53	"	"	1H.3.24	"	"	"			
		51	42225-42275	"	"	54	"	"	1H.3.24	"	"	"			
		13	42330-42342	Drm	Höka	53	"	"	1H.3.24	"	"	"			
		Gx1	2	2	1460,1461	Thm	"	"	9,5	12,0	1K.10.21	460		3,0	2,0
				3	1462-1464	Hmr	"	"	"	"	1K.10.21	"		"	"
3	1465-1467			Drm	"	"	"	"	1K.10.21	"	"	"			
2	1468,1469			Oslo	"	"	"	"	1K.10.21	"	"	"			
2	1470,1471			Krs	"	"	"	"	1K.10.21	"	"	"			
Gf2	1			1	6273	Oslo	Eidsf.	05	16,1	34,0	3.8.15	376+ 387	8,5	9,5	Tidl. F type 13
		1	8146	Hmr	"	"	"	"	3.6.8.15	"	8,0	"	" " " "		
Gf3	1	1	6280	Oslo	"	09	"	"	3.6.8.13.15	"	8,5	14,5	" " " 17		
		1	6285	"	"	"	"	"	3.5.8.13.15	"	8,0	"	" " " "		
L4	3	65	50385-50449	Drm	Skabo	52	21,8	24,0	1H.3.24	3989	8,5	20,0			
		20	50450-50469	"	"	53	"	"	1H.3.24	"	"	"			
M1	1	1	16240	"	Eidsf.	01	15,9	5,0	15.21	400	5,5	11,5	Tidl. utr. N1-1		
Qf4	1	1	73007	Oslo	Skabo	28	"	19,2	1H.3.24	"	12,0	"	" priv.vg. 500013		
		1	73008	"	x)	"	"	"	1H.3.24	"	11,5	"	x) Waggonfabr. Quedlinburg.		
		1	73009	"	"	"	"	"	1H.3.24	"	14,0	"	Tidl. priv.vg. 500014 " " 500015		
T14	1	25	61110-61134	"	Strm.	52	28,7	22,8	1H.24	3770+ 4350	9,0	20,0			
		56	61135-61190	"	"	53	"	"	1H.24	"	"	"			
		40	61191-61230	Drm	Eidsf.	54	"	"	1H.21.24	"	"	"			
		23	61231-61253	"	Höka	"	"	"	1H.21.24	"	"	"			
Tro4	1	1	16506	"	Strm.	53	"	1H.3	6428	34,0	53,0				

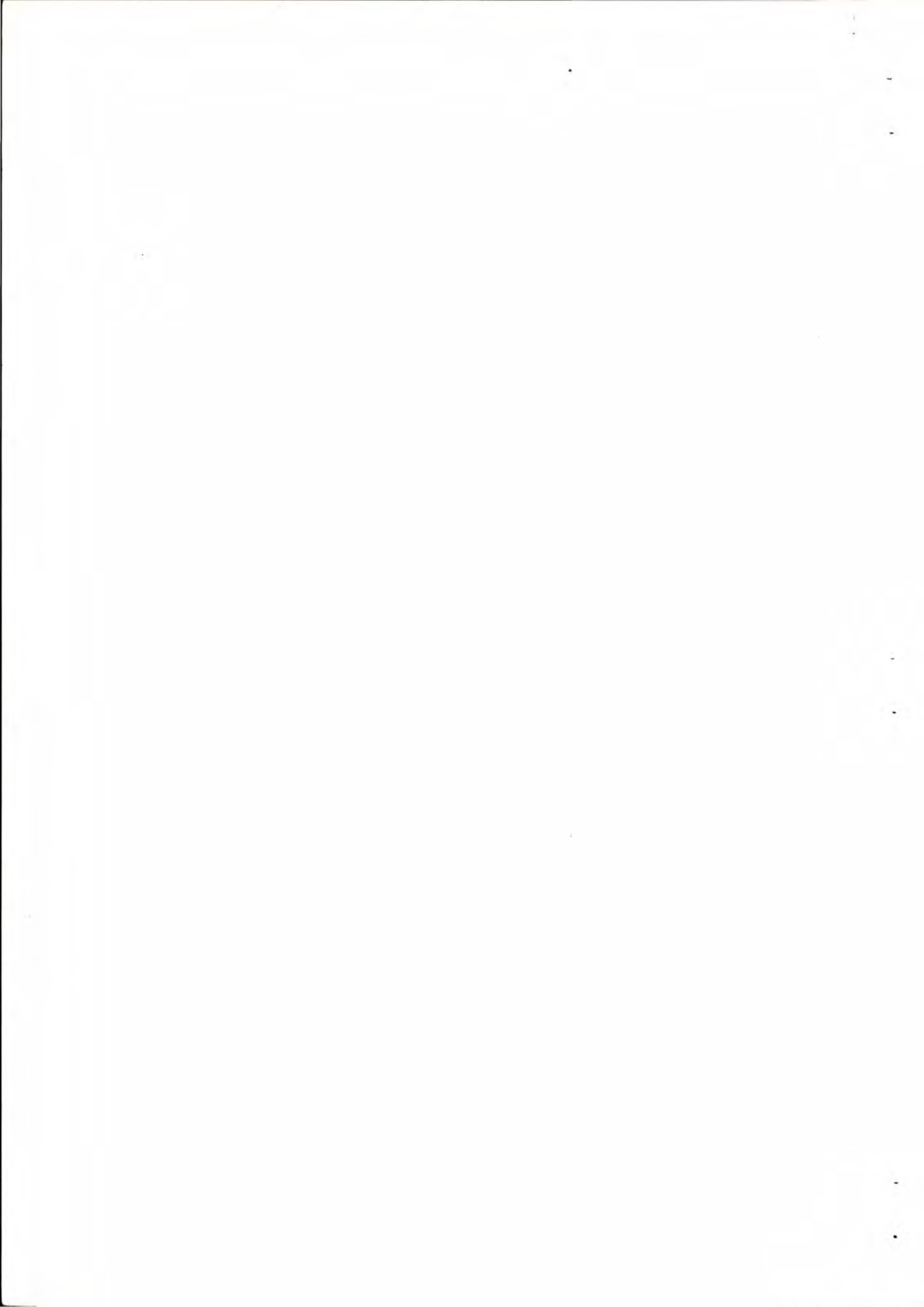


Ombygde vogner:

Litra	Type	Antall	Vogn nr.	Distrikt	Ombygd ved	Byggeår	Gulv-	Rom-	Bremses-, oppvarming, belysning m.v. se side 6	Hoved- tegn.	Omtrentlig		Merknad	
							flate	innh.			egen-	laste-		
							m ²	m ³			vekt	evne		
											tonn	tonn		
Lt2	3	1	7722	Oslo	Sörholte	52	18,9	45,7	15.21	815+	7,0	10,0	Tidl. N2-1 nr. 6428 ✓	
		1	7723	"	"	"	"	"	15.21	6569	"	"	" " " 2401 ✓	
		1	7724	"	"	"	"	"	15.21	"	"	"	" " " 10865 ✓	
		1	7725	"	"	"	"	"	15.21	"	"	"	" " " 4210 ✓	
		1	7726	"	"	"	"	"	15.21	"	"	"	" " " 7558 ✓	
		1	7727	"	"	"	"	"	15.21	"	"	"	" " " 7565 ✓	
		1	7728	"	"	"	"	"	15.21	"	"	"	" " " 10880 ✓	
		1	7729	"	"	"	"	"	15.21	"	"	"	" " " 9532 ✓	
		1	7730	"	"	"	"	"	15.21	"	"	"	" " " 10903 ✓	
		1	7731	"	"	"	"	"	15.21	"	"	"	" " " 6458 ✓	
		1	7732	"	"	"	"	"	15.21	"	"	"	" " " 9525 ✓	
		1	7733	"	"	"	"	"	15.21	"	"	"	" " " 10860 ✓	
		1	7734	"	"	"	"	"	15.21	"	"	"	" " " 10889 ✓	
		1	7735	"	"	"	"	"	15.21	"	"	"	" " " 10899 ✓	
		1	7736	"	"	"	"	"	15.21	"	"	"	" " " 7572 ✓	
		1	7737	"	"	"	"	"	15.21	"	"	"	" " " 4215 ✓	
		1	7738	"	"	"	"	53	"	15.21	"	"	"	" " " 10913 ✓
		1	7739	"	"	"	"	"	"	15.21	"	"	"	" " " 2414 ✓
		1	7740	"	"	"	"	"	"	15.21	"	"	"	" " " 6452 ✓
		1	7741	"	"	"	"	"	"	15.21	"	"	"	" " " 2418 ✓
		1	7742	"	"	"	"	"	"	15.21	"	"	"	" " " 4221 ✓
1	7743	"	"	"	"	"	"	15.21	"	"	"	" " " 9534 ✓		
1	7744	"	"	"	"	"	"	15.21	"	"	"	" " " 10874 ✓		
1	7745	"	"	"	"	"	"	15.21	"	"	"	" " " 9536 ✓		
1	7746	"	"	"	"	"	"	15.21	"	"	"	" " " 9528 ✓		
M1	1	1	2452 ✓	"	"	54	15,9	5,0	15.21	400	6,0	11,0	" N1-1	
		1	6169 ✓	"	"	"	"	"	15.21	876	"	"	" " "	
		1	6303 ✓	"	"	53	16,0	4,7	15.21	400	"	"	" " "	
		1	6344 ✓	"	"	"	"	"	15.21	"	"	"	" " "	
		1	6354 ✓	"	"	"	"	"	15.21	"	"	"	" " "	
		1	8609 ✓	Hmr	"	"	"	"	"	15.21	"	"	"	" " "
		1	8614 ✓	"	"	"	"	"	15.21	"	"	"	"	" " "
		1	8653 ✓	"	"	"	15,9	5,0	15.21	876	"	11,5	" " "	
		1	8664 ✓	"	"	52	"	"	15.21	"	"	"	"	" " "
		1	8666 ✓	"	"	"	"	"	15.21	"	5,5	"	"	" " "
		1	8667 ✓	"	"	"	"	"	15.21	"	6,0	"	"	" " "
		1	16208 ✓	Drn	"	"	"	"	"	15.21	400	"	"	" " "
		1	16239 ✓	"	"	"	"	"	"	15.21	"	"	11,0	" " "
		1	16272 ✓	"	"	"	"	"	"	15.21	"	5,5	11,5	" " "
		1	16450 ✓	"	"	"	"	"	"	15.21	876	6,0	11,0	" " "
		1	16452 ✓	"	"	"	"	"	"	15.21	"	"	"	" " "
		1	16457 ✓	"	"	"	"	"	"	15.21	"	5,5	11,5	" " "
		1	20802	"	"	"	"	"	"	15.21	"	6,0	"	" " "
		1	20803	"	"	"	"	"	"	15.21	"	"	"	" " "
		1	20804	"	"	"	"	"	"	15.21	"	"	"	" " "
		1	20806	"	"	"	"	"	"	15.21	"	"	"	" " "
1	20807	"	"	"	"	"	"	15.21	"	"	"	" " "		
1	20808	"	"	"	"	"	"	15.21	"	5,5	"	" " "		
1	20809	"	"	"	"	"	"	15.21	"	6,0	"	" " "		
1	20812	"	"	"	"	"	"	15.21	"	"	11,0	" " "		
1	20813	"	"	"	"	"	"	15.21	"	5,5	11,5	" " "		
1	20815	"	"	"	"	"	"	15.21	"	"	"	" " "		



Litra	Type	Antall	Vogn nr.	Distrikt	Ombygd ved	Byggeår	Gulv-	Rom-	Bremsar, oppvarming, belysning m. v. se side 6	Hoved- tegn.	Omtrentlig		Merknad
							flate	innh.			egen-	laste-	
							m ²	m ³			vekt	evne	
				tonn	tonn								
M1	1	1	20816	Drm	Sörholte	52	15,9	5,0	15.21	876	6,0	11,5	Tidl. N1-1
		1	20819	"	"	"	"	"	15.21	"	"	"	"
		1	20820	"	"	"	"	"	15.21	"	"	"	"
		1	20822	"	"	"	"	"	15.21	"	"	"	"
		1	20824	"	"	"	"	"	15.21	"	"	"	"
		1	20825	"	"	"	"	"	15.21	"	"	"	"
		1	20829	"	"	"	"	"	15.21	"	"	"	"
		1	20830	"	"	"	"	"	15.21	"	"	"	"
		1	20832	"	"	"	"	"	15.21	"	"	"	"
		1	20835	"	"	"	"	"	15.21	"	"	"	"
		1	20840	"	"	"	"	"	15.21	"	"	"	"
		1	20845	"	"	53	"	"	15.21	"	"	"	"
		1	20848	"	"	52	"	"	15.21	"	"	"	"
		1	20849	"	"	53	"	"	15.21	"	6,0	11,0	"
Ö2	1	1	16784	"	Ankerlökken	"	"	7,5	15.21	6439	"	"	" nr. 2443 ✓
		1	16785	"	"	"	"	"	15.21	"	6,5	"	" N1-2 " 1943 ✓
		1	16786	"	"	"	"	"	15.21	"	"	"	" " 11692 ✓
		1	16787	"	"	"	"	"	15.21	"	"	"	" N1-1 " 6306 ✓
		1	16788	"	"	"	"	"	15.21	"	6,0	"	" " 6411 ✓
		1	16789	"	"	"	"	"	15.21	"	"	"	" " 2876 ✓
		1	16790	"	"	"	"	"	15.21	"	"	"	" " 10824 ✓
		1	16791	"	"	"	"	"	15.21	"	6,5	"	" N2-3 " 8508 ✓
		1	16792	"	"	"	"	"	15.21	"	"	"	" Gvf2-1 " 11105 ✓
		1	16793	"	"	"	"	"	15.21	"	7,0	10,5	" N2-3 " 7506 ✓
		1	16794	"	"	"	"	"	15.21	"	6,5	11,0	" N1-1 " 16123 ✓
		1	16795	"	"	"	"	"	15.21	"	6,0	"	" " 16083 ✓
		1	16796	"	"	"	"	"	15.21	"	"	"	" " 2776 ✓
		1	16797	"	Drm. distr.	"	"	"	15.21	6624	6,5	11,5	" N1-2 " 11697 ✓
		1	16798	"	"	"	"	"	15.21	"	"	"	" " 11662 ✓
		1	16799	"	"	"	"	"	15.21	"	"	"	" " 11693 ✓
		1	16800	"	"	"	"	"	15.21	"	"	"	" N1-1 " 20833 ✓
		1	16801	"	"	"	"	"	15.21	"	"	"	" N1-2 " 11661 ✓
		1	16802	"	"	"	"	"	15.21	"	"	"	" N1-1 " 20818 ✓
		1	16803	"	"	"	"	"	15.21	"	"	"	" " 16459 ✓
		1	16804	"	"	"	"	"	15.21	"	"	"	" " 8651 ✓
		1	16805	"	"	"	"	"	15.21	"	7,0	"	" " 20826 ✓
		1	16806	"	"	"	"	"	15.21	"	"	"	" " 16448 ✓
		1	16807	"	"	"	"	"	15.21	"	6,5	"	" " 8663 ✓
		1	16808	"	"	"	"	"	15.21	"	"	"	" N1-2 " 11709 ✓
		1	16809	"	"	"	"	"	15.21	"	"	"	" N1-1 " 16094 ✓
		1	16810	"	"	"	"	"	15.21	"	"	"	" N1-2 " 4034 ✓
		1	16811	"	"	"	"	"	15.21	"	"	"	" " 1961 ✓
		1	16812	"	"	"	"	"	15.21	"	"	"	" N1-1 " 2603 ✓
		1	16813	"	"	"	"	"	15.21	"	"	"	" N1-2 " 3933 ✓
		1	16814	"	"	"	"	"	15.21	"	7,0	"	" N2-1 " 11745 ✓
		1	16815	"	"	"	"	"	15.21	"	6,5	"	" N1-2 " 3984 ✓
		1	16816	"	"	"	"	"	15.21	"	"	"	" " 4008 ✓
		1	16817	"	"	"	"	"	15.21	"	7,0	"	" " 11704 ✓
		1	16818	"	"	"	"	"	15.21	"	"	"	" N1-1 " 20839 ✓
		1	16819	"	"	"	"	"	15.21	"	6,5	"	" N2-1 " 9531 ✓
		1	16820	"	"	"	"	"	15.21	"	"	"	" N1-2 " 4033 ✓
		1	16821	"	"	"	"	"	15.21	"	"	"	" N1-1 " 20844 ✓



Litra	Type	Antall	Vogn nr.	Distrikt	Ombygd ved	Byggeår	Gulvflate		Rom-innh.	Bremses, oppvarming, belysning m.v. se side 6	Hovedtegn.	Omtrentlig		Merknad	
							m ²	m ³				egenvekt	lastevne		
												tonn	tonn		
02	1	1	16822	Drm	Drn. distr.	54		7,5	15.21		6624	7,0	10,5	Tidl. N1-2 nr. 3988 ✓	
		1	16823	"	"	"	"	"	15.21		"	6,5	"	"	N2-1 " 11728 ✓
		1	16824	"	"	"	"	"	15.21		"	"	"	"	G2-1 " 3213 ✓
		1	16825	"	"	"	"	"	15.21		"	"	"	"	N1-1 " 4097 ✓
		1	16826	"	"	"	"	"	15.21		"	"	"	"	N2-1 " 4174 ✓
		1	16827	"	"	"	"	"	15.21		"	"	"	"	" " 2415 ✓
		1	16828	"	"	"	"	"	15.21		"	"	"	"	" " 11744 ✓
		1	16829	"	"	"	"	"	15.21		"	"	"	"	N1-2 " 3981 ✓
		1	16830	"	"	"	"	"	15.21		"	7,0	"	"	" " 3913 ✓
		1	16831	"	"	"	"	"	15.21		"	"	"	"	" " 11691 ✓
		1	16832	"	"	"	"	"	15.21		"	6,5	"	"	N2-3 " 2658 ✓
		1	16833	"	"	"	"	"	15.21		"	"	"	"	" " 4003 ✓
		1	16834	"	"	"	"	"	15.21		"	"	"	"	N1-2 " 4016 ✓
		1	16835	"	"	"	"	"	15.21		"	7,0	"	"	" " 3983 ✓
		1	16836	"	"	"	"	"	15.21		"	6,5	"	"	N2-3 " 8542 ✓

Utrangerte vogner:

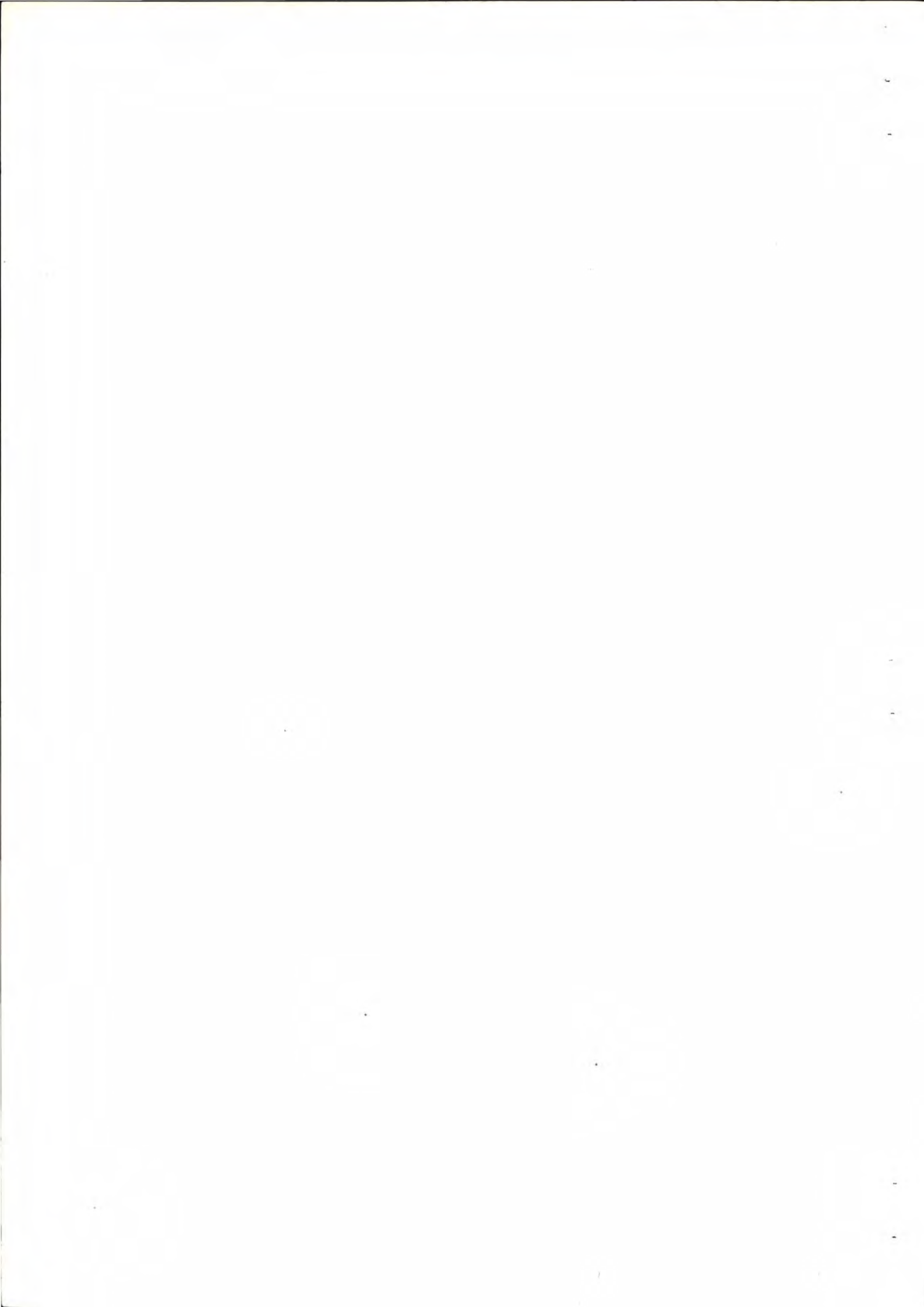
Litra	Type	Antall	Vogn nr.	Distrikt	Litra	Type	Antall	Vogn nr.	Distrikt	Litra	Type	Antall	Vogn nr.	Distrikt	
															G1
		3	15094, 15096, 15113	"	Hv1	1	1	3480 ✓	Oslo			2	15717, 20039 ✓	Drm	
		3	15118, 15124, 15135	"			1	3487 ✓	Thm	I4	1	3	32239, 32300, 32322	Oslo	
		3	15139, 15140, 15145	"			3	3492, 3504, 3513 ✓	Oslo			1	32530 ✓	Brg	
		3	15170, 15171, 15175	"			3	3520, 3521, 3524 ✓	"			2	1	32490 ✓	Thm
		1	15184	"			3	3526, 3528, 3529 ✓	"	Lf4	1	1	32304 ✓	Oslo	
	2	3	1110, 1128, 1131 ✓	Oslo			1	3530 ✓	"			2	32482, 32487 ✓	Thm	
		3	1143, 2099, 2102 ✓	"			3	5511, 5517, 8468 ✓	Hmr			1	32636 ✓	Oslo	
		1	7064 ✓	"			3	8476, 8479, 8482 ✓	"	Lg1	1	1	2341 ✓	"	
	3	3	8405, 8408, 8416 ✓	Hmr		2	1	15451 ✓	Drm			2	15955, 15959 ✓	Drm	
		3	15303, 15335, 15339	Drm	Hv2	1	1	2122 ✓	Oslo	Lg2	1	2	11474, 11484 ✓	Oslo	
		3	15344, 15346, 15348	"			1	8464 ✓	Hmr	Lk1	1	3	5164, 5170, 5186 ✓	Hmr	
		1	15350 ✓	"			1	12912 ✓	Thm	Lt2	1	1	7600 ✓	Oslo	
G2	1	3	2911, 2927, 2941 ✓	Oslo	K1	1	1	2145 ✓	Oslo			3	3	4184, 7659, 7661 ✓	"
		3	3185, 3188, 3196	"			2	3	2203, 2215, 2224 ✓	"			1	7678 ✓	"
		3	3200, 3216, 3219	"			3	3	2230, 2231, 3605 ✓	"			1	10855 ✓	Thm
		3	3221, 3230, 3252	"			1	3632 ✓	"	M1	1	3	2371, 2492, 2534 ✓	Oslo	
		3	3253, 3256, 3257	"			3	1	1318 ✓	"			2	2611, 6145 ✓	"
		3	3263, 3268, 3271	"	K2	1	1	23058 ✓	TPB			1	10399 ✓	Thm	
		3	3275, 6130, 6136 ✓	"			1	23437 ✓	Drm			1	11504 ✓	Oslo	
		1	6139 ✓	"	L1	1	3	1405, 1526, 1554 ✓	Oslo			1	16135 ✓	Drm	
G3	1	1	2943 ✓	"			3	1556, 1570, 2324 ✓	"			2	1	14422 ✓	Brg
		1	15357 ✓	Drm			1	2327 ✓	"	Mf1	2	1	14447 ✓	"	
	2	1	31042 ✓	Oslo			2	3	5115, 5118, 8302 ✓	Hmr	Ms3	1	1	8227 ✓	Hmr
G4	1	1	40808 ✓	Drm			2	10632, 10634 ✓	Thm	MK1	1	1	6816 ✓	Oslo	
Gf2	1	2	8141, 8144 ✓	Hmr			3	15648, 15656, 15659 ✓	Drm			1	8213 ✓	Hmr	
		3	10157, 12156, 12160 ✓	Thm			3	15680, 15681, 15682 ✓	"			1	9406 ✓	Brg	
	3	1	2836 ✓	Oslo	L3	2	1	3715 ✓	Oslo			1	12406 ✓	Thm	



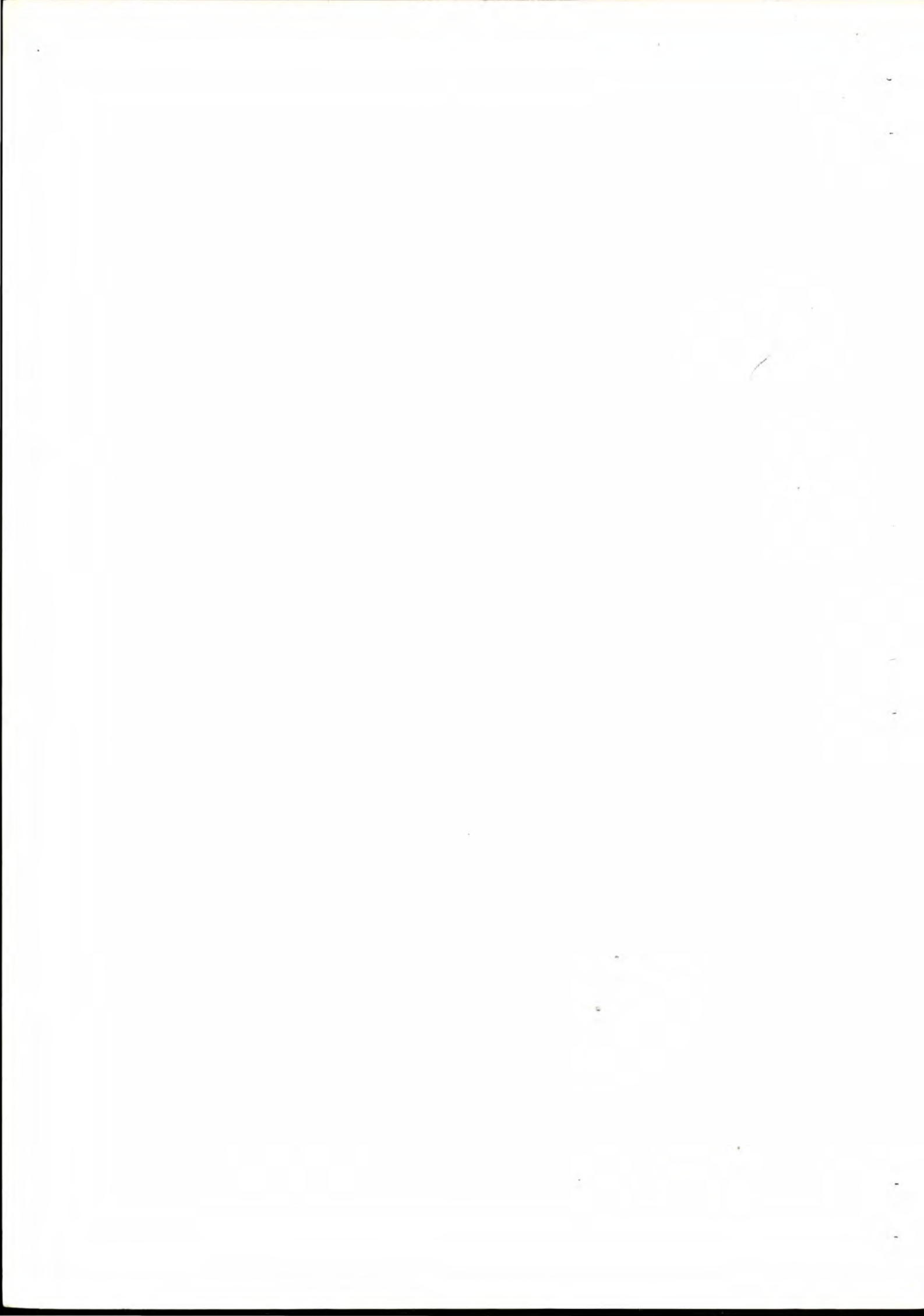
Litra	Type	Antall	Vogn nr.	Distrikt	Litra	Type	Antall	Vogn nr.	Distrikt	Litra	Type	Antall	Vogn nr.	Distrikt					
N1	1	3	2439, 2476, 2491	Oslo	N1	2	3	11655, 11682, 11694	Oslo	Nf1	1	2	6418, 6423	Oslo					
		3	2700, 2766, 4009	"				2407, 4222, 6441	"				Nf01	1	2	6852, 6860	"		
		1	4039	"				6447, 7551, 7552	"				NP2	1	3	10507, 10511, 10512	Thm		
		1	5280	Hmr				10907	Thm					1	1	16314	Drn		
		3	6160, 6373, 6396	Oslo				11719, 11726, 11733	Oslo				S1	1	1	6926	Oslo		
		3	10805, 10810, 10820	Thm				11743, 11749, 11756	"				Sf1	1	1	15493	Drn		
		1	12536	"				11770, 11772, 11898	"					2	1	2895	Oslo		
		2	3	1680, 1695, 1717				Oslo	2				2	3948, 6499	"	1	15494	Drn	
		3	1752, 1788, 1854	"				1	1				8632	Hmr	T1	1	2	2971, 2983	Oslo
		3	1863, 1872, 1888	"				1	1				20724	Drn	T3	2	2	11903, 11931	"
	3	1903, 1911, 1932	"	3	1	2690	Oslo	T13	1	1	4903	"							
	3	1962, 4089, 11607	"	1	1	8510	Hmr	Z1	1	2	4959, 4960	"							
	3	11634, 11637, 11640	"	N3	2	3	23431, 23432, 23433	TPB	Ö2	1	1	16768	Drn						

Forandringer, rettelser og tilføyelser:

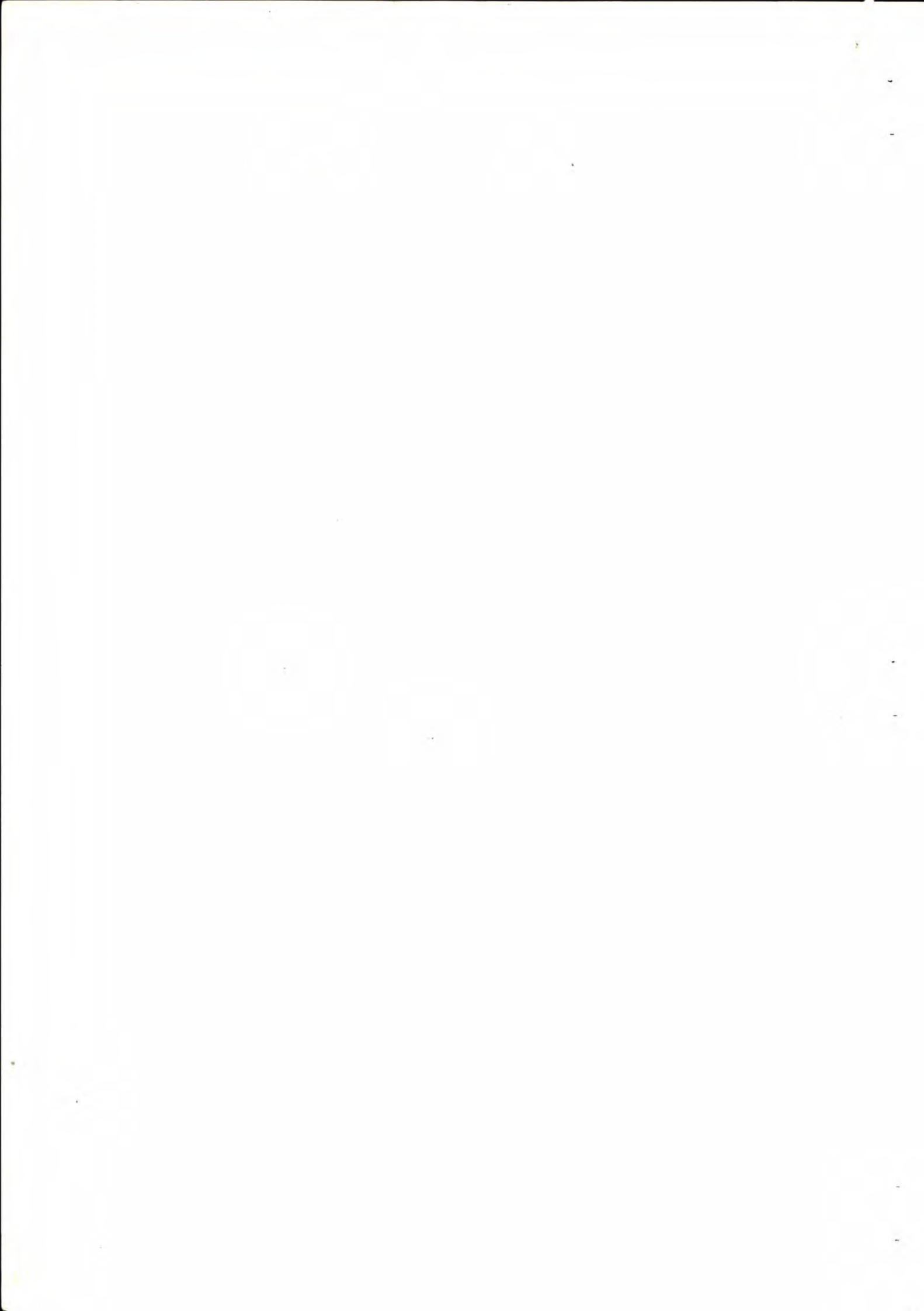
Litra	Type	Antall	Vogn nr.	Distrikt	Bremses, oppvarming, belysning m. v. se side 6	Omtrentlig		Merknad
						egenvekt	lastevne	
						tonn	tonn	
G1	1	1	15188	Drn				R1 nr. 8 E-anleggene
	3	1	8406	Hmr				R - Oslo
G2	1	1	2924	Oslo				R - Stv.
		1	3276	"				R1 nr. 5 E-anleggene
	1	1	8125	Hmr				R - Hmr.
		1	8129	"				R - Brg.
	3	1	5076	"				R - Hmr.
		4	3	2059, 2846, 2847	Oslo	3.15.29		
	3	3	14063, 14070, 14074	Brg	3.6.15.29			" "
		2	14076, 14078	"	3.6.15.29			" "
	3	3	17059, 17061, 17069	Oslo	3.15.29			" "
		3	17070, 17072, 17077	"	3.15.29			" "
2	2	17079, 17083	"	3.15.29			" "	
	5	1	6272	"	3.15.29			" Gf2-1
G3	1	1	14216	Brg	1H.6.21.29			Støpt gulv fjernet.
	4	2	3166, 3167	Oslo	3.15.29			Tidl. Gf3-3
		2	5096, 5099	Hmr	3.15.29			" "
	1	5667	Thm	3.29			" "	
	3	3	5668, 5670, 5671	"	3.15.29			" "
		1	6123	Oslo	3.15.29			" "
	3	3	10164, 10172, 10179	Thm	3.15.29			" "
		3	10181, 10182, 10185	"	3.15.29			" "
	2	2	10188, 10200	"	3.15.29			" "
		1	14097	Brg	3.15.29			" "
	1	16552	Drn	3.15.29			" "	
	1	17154	Oslo	3.15.29			" "	
	2	2	17532, 17533	Thm	3.15.29			" "
		3	20754, 20756, 20760	Drn	3.15.29			" "
	1	20762	"	3.15.29			" "	
5	1	6276	Oslo	3.6.8.15.29			" Gf3-1	



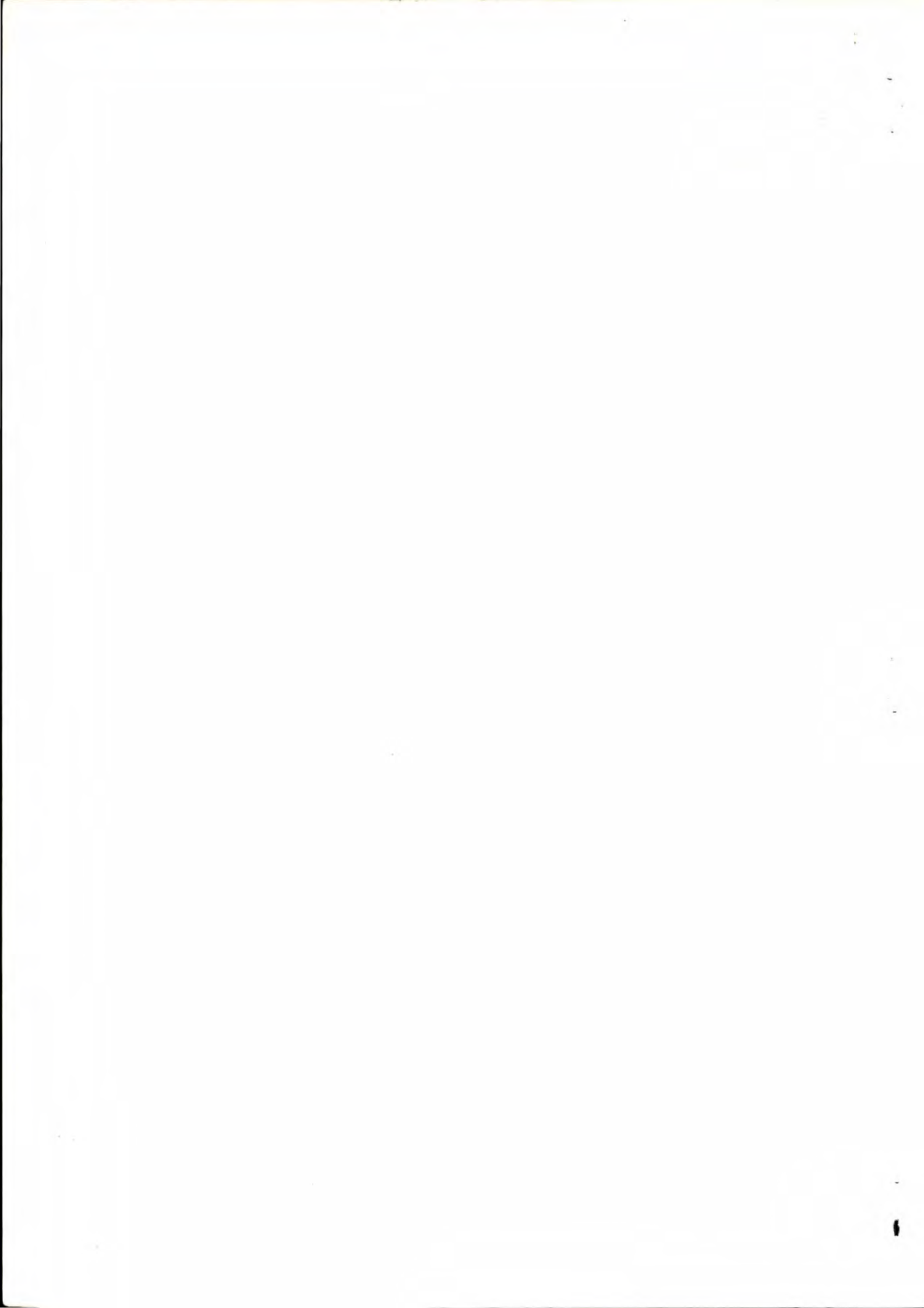
Litra	Type	Antall	Vogn nr.	Distrikt	Bremses, oppvarming, belysning m. v. se side 6	Omtrentlig		Merknad		
						egen- vekt	laste- evne			
									tonn	tonn
G4	1	1	41247 ✓	Thm	1H.3.24	14,0	15,5	Isolert for transp. av grønns. fra Stv. d.		
		2	41811, 41812 ✓	Drm	1H.3.24	14,5	14,5	" " " " " " " "		
		1	41813 ✓	"	1H.3.24	15,0	"	" " " " " " " "		
		1	41814 ✓	"	1H.3.24	14,5	"	" " " " " " " "		
		1	41815 ✓	"	1H.3.24	15,0	"	" " " " " " " "		
		1	41824 ✓	"	1H.3.24	"	"	" " " " " " " "		
Gfo2	1	1	15251 ✓	"	3.6.8.13.15	17,5	18,0	Ballasten fjernet		
		1	15255 ✓	"	3.8.13.15	"	"	" "		
		1	15256 ✓	"	3.8.13.15	16,0	19,0	" "		
		2	1	3336 ✓	Oslo	3.6.8.13.15.34. 37.	17,5	18,0	" "	
			1	3342 ✓	"	3.6.8.13.15.34	17,0	"	" "	
		1	1	5710 ✓	Thm	3.6.8.13.15.34. 37	17,5	17,5	" "	
			1	5714 ✓	"	3.6.8.13.15.34. 37	"	18,0	" "	
		1	1	14135 ✓	Brg	3.6.8.13.15.34	"	17,0	" "	
			3	1	10234 ✓	Thm	3.6.8.13.15.34. 38	17,0	"	" "
		H3	1	1	15375 ✓	Drm	3.6.8.13.15.34	"	18,0	" "
				1	15376 ✓	"	3.6.8.13.15.34	17,5	"	" "
				1	15382 ✓	"	3.6.8.13.15.34	"	"	" "
				1	15403 ✓	"	3.6.8.13.15.34	16,5	18,5	" "
				1	15404 ✓	"	3.6.8.13.15.34	17,0	18,0	" "
1	8459 ✓			Hmr	1KK.3.6.35			Tidl. Hf3-1		
Hv1	1	5524 ✓	"			R - Oslo				
Hv3	1	1	5589 ✓	"	1KK.3.6.7.35			Tidl. Hvf3-1		
		1	6919 ✓	Oslo	3.5.7.15.35			" "		
		1	10076 ✓	Thm	3.6.7.15.35			" "		
		1	17043 ✓	Oslo	3.6.7.15.35			" "		
Hv4	1	1	70000 ✓	Hmr	1H.3.6.7.24.35	14,5				
		1	70005 ✓	"	1H.3.6.7.24.35	16,0		" Hv4-1		
		1	70007 ✓	"	1H.3.6.7.24.35	"		" "		
		1	70011 ✓	"	1H.3.6.7.24.35	15,5		" "		
		1	70012 ✓	"	1H.3.6.7.24.35	14,5		" "		
		1	70014 ✓	"	1H.3.6.7.24.35	14,0		" "		
		1	70015 ✓	"	1H.3.6.7.24.35	14,5		" "		
		1	70019 ✓	Drm	1H.3.6.7.24.35. 40	17,0		" "		
		1	70023 ✓	"	1H.3.6.7.24.35	16,5		" "		
		1	70024 ✓	Thm	1H.3.6.7.24.35	"		" "		
Hvf4	1	3	70001, 70002, 70003	Hmr	1H.3.6.7.24.35	16,0				
		1	70004	"	1H.3.6.7.24.35	15,5				
		1	70006	"	1H.3.6.7.24.35	17,0				
		1	70008	"	1H.3.6.7.24.35	15,5				
		1	70009	"	1H.3.6.7.24.35	16,5				
		1	70010	"	1H.3.6.7.24.35	15,5				
		1	70013	"	1H.3.6.7.24.35	14,5				
		1	70016	"	1H.3.6.7.24.35	16,5				
		1	70017	"	1H.3.6.7.24.35	16,0				
		1	70018	"	1H.3.6.7.24.35	16,5				
		1	70020	Drm	1H.3.6.7.24.35. 40	"				
1	70021	"	1H.3.6.7.24.35. 40	17,0						



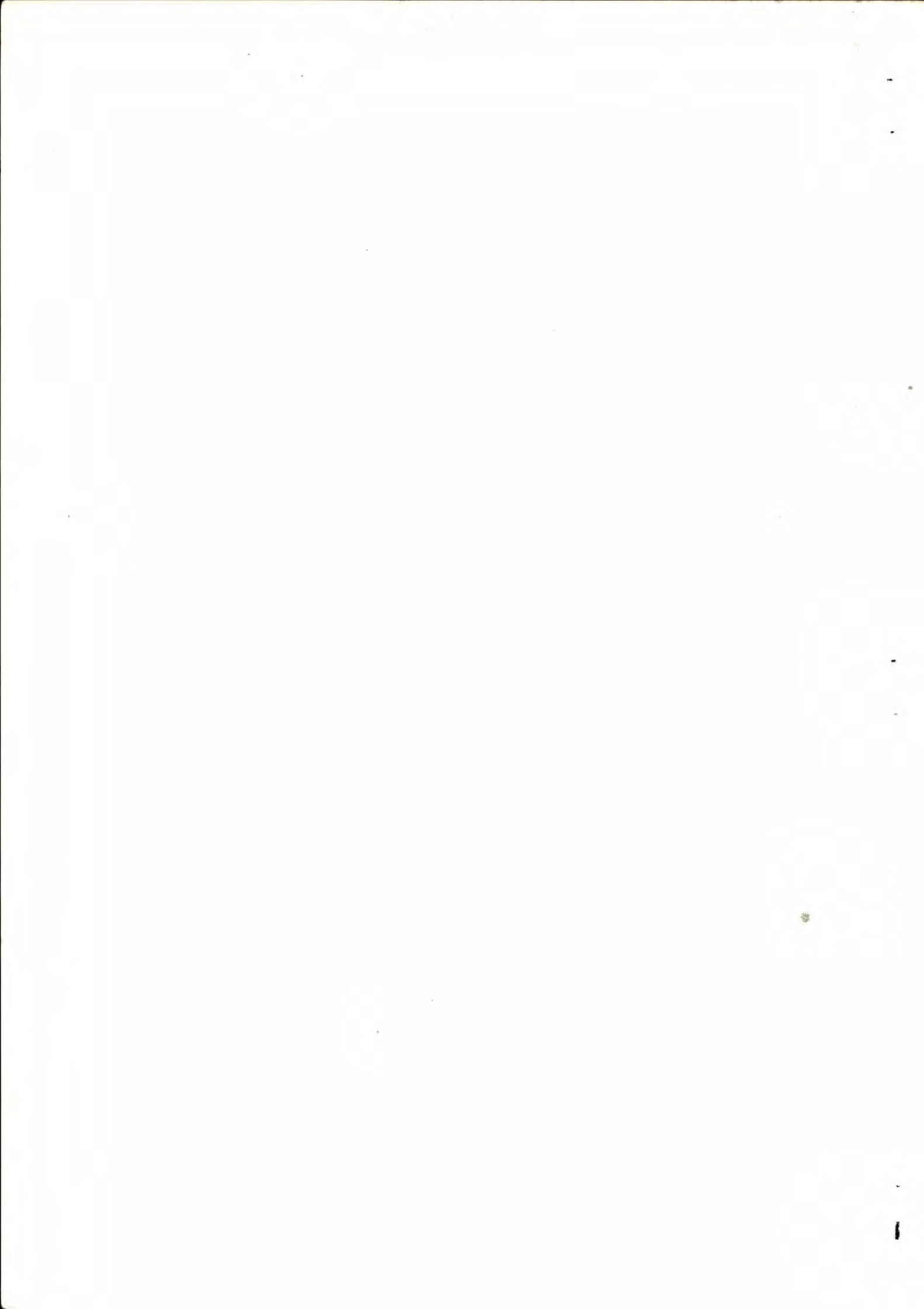
Litra	Type	Antall	Vogn nr.	Distrikt	Bremses, oppvarming, belysning m. v. se side 6	Omtrentlig		Merknad
						egenvekt	lastevne	
						tonn	tonn	
Hvf4	1	1	70022	Drm	1H.3.6.7.24.35.40	18,0		
K1	2	3	1385, 13606, 3613	Oslo	15.21			
L4	1	1	32466	Thm	15.24			2 vg. merket med samme nr. Den ene omnr. til 32669
	2	1	32536	TPB	3.15.24			Tidl. Lf4-1
	/	1	32576	Brg	15.21.24	8,5		
	2	1	11200	Oslo	1H.3.24			" "
		1	11360	Thm	3.15.24			" "
		1	11365	Oslo	3.15.24	8,0		" "
		3	23418, 32123, 32141	TPB	1H.3.24			" "
		1	32178	Drm	3.15.24			" "
		1	32257	TPB	3.15.24			" "
		1	32303	Thm	3.15.24			" "
		3	32309, 32324, 32516	TPB	3.15.24			" "
		2	32534, 32560	Brg	3.15.24			" "
		1	32565	"	1H.3.24			" "
		1	32608	Oslo	3.15.24			" "
Lg1	1	3	11421, 11431, 11432	"	15.21			
Lk3	1	1	16506	Drm	15.21			Omnr. til 10102
Lt2	1	1	3672	Oslo	15.21			" " ✓ 7601 distr.mrk. Oslo
		1	3673	"	15.21			" " ✓ 7602 " "
		1	3674	"	15.21			" " ✓ 7603 " "
	2	1	15602	Drm	15.21			" " ✓ 7604 " "
		1	15603	"	15.21			" " ✓ 7605 " "
		1	15612	"	15.21			" " ✓ 7608 " "
		1	15613	"	15.21			" " ✓ 7609 " "
		1	15614	"	15.21			" " ✓ 7610 " "
		1	15625	"	15.21			" " ✓ 7612 " "
		1	15635	"	15.21			" " ✓ 7614 " "
	3	1	2811	Oslo	15.21			" " ✓ 7615 " "
		1	2812	"	15.21			" " ✓ 7616 " "
		1	2813	"	15.21			" " ✓ 7617 " "
		1	2814	"	15.21			" " ✓ 7618 " "
		1	2816	"	15.21			" " ✓ 7620 " "
		1	2819	"	15.21			" " ✓ 7623 " "
		1	2820	"	15.21			" " ✓ 7624 " "
		1	2822	"	15.21			" " ✓ 7626 " "
		1	2823	"	15.21			" " ✓ 7627 " "
		1	2824	"	15.21			" " ✓ 7628 " "
		1	2825	"	15.21			" " ✓ 7629 " "
		1	2828	"	15.21			" " ✓ 7632 " "
		1	2853	"	15.21			" " ✓ 7637 " "
		1	2854	"	15.21			" " ✓ 7638 " "
		1	2856	"	15.21			" " ✓ 7640 " "
		1	2858	"	15.21			" " ✓ 7642 " "
		1	2859	"	15.21			" " ✓ 7643 " "
		1	4179	"	15.21			" " ✓ 7645 " "
		1	4180	"	15.21			" " ✓ 7646 " "
		1	4182	"	15.21			" " ✓ 7648 " "
		1	4186	"	21			" " ✓ 7652 " "
		1	4188	"	15.21			" " ✓ 7654 " "
		1	4189	"	15.21			" " ✓ 7655 " "



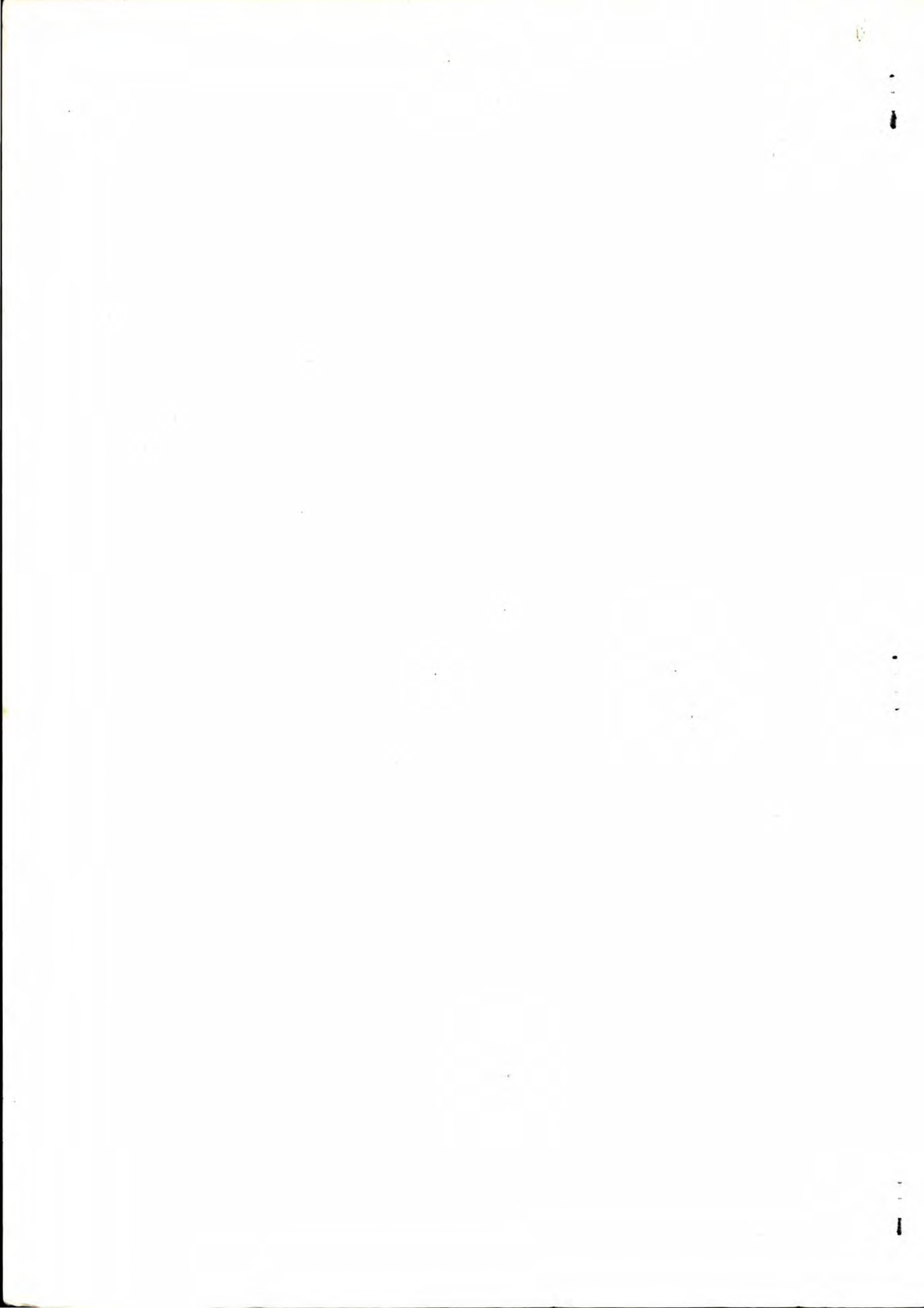
Litra	Type	Antall	Vogn nr.	Distrikt	Bremseser, oppvarming, belysning m. v. se side 6	Omtrentlig		Merknad			
						egen-	laste-				
						vekt	evne				
						tonn	tonn				
Lt2	3	1	4191	Oslo	15.21			Omnr. til 7657 distr.mrk. Oslo			
		1	4192	"	15.21			"	" 7658	"	"
		1	4193	"	15.21			"	" 7659	"	"
		1	4195	"	15.21			"	" 7660	"	"
		1	4196	"	15.21			"	" 7661	"	"
		1	4198	"	15.21			"	" 7663	"	"
		1	4199	"	15.21			"	" 7664	"	"
		1	4201	"	15.21			"	" 7666	"	"
		1	4203	"	15.21			"	" 7667	"	"
		1	4208	"	15.21			"	" 7671	"	"
		1	4209	"	15.21			"	" 7672	"	"
		1	4214	"	15.21			"	" 7674	"	"
		1	4216	"	15.21			"	" 7675	"	"
		1	4217	"	15.21			"	" 7676	"	"
		1	4219	"	15.21			"	" 7678	"	"
		1	4223	"	15.21			"	" 7679	"	"
		1	4224	"	15.21			"	" 7680	"	"
		1	4225	"	15.21			"	" 7681	"	"
		1	4227	"	15.21			"	" 7683	"	"
		1	5322	Hmr	15.21			"	" 7685	"	"
		1	6427	Oslo	15.21			"	" 7686	"	"
		1	6429	"	15.21			"	" 7687	"	"
		1	6434	"	15.21			"	" 7691	"	"
		1	6438	"	15.21			"	" 7692	"	"
		1	6444	"	15.21			"	" 7694	"	"
		1	6445	"	15.21			"	" 7695	"	"
		1	6446	"	15.21			"	" 7696	"	"
		1	6457	"	15.21			"	" 7698	"	"
		1	7550	"	15.21			"	" 7700	"	"
		1	7557	"	15.21			"	" 7702	"	"
		1	7568	"	15.21			"	" 7705	"	"
		1	7574	"	15.21			"	" 7707	"	"
		1	10854	Thm	15.21			"	" 7709	"	"
1	10858	"	15.21			"	" 7711	"	"		
1	10877	"	15.21			"	" 7715	"	"		
1	10878	"	15.21			"	" 7716	"	"		
1	10879	"	15.21			"	" 7717	"	"		
1	10890	"	15.21			"	" 7718	"	"		
1	10896	"	15.21			"	" 7719	"	"		
1	10897	"	15.21			"	" 7720	"	"		
1	10901	"	15.21			"	" 7721	"	"		
M1	1	3	2386, 2496, 2508	Oslo	15.21						
		3	2510, 2511, 2522	"	15.21						
		3	2523, 2533, 2538	"	15.21						
		3	3811, 3812, 3818	"	15.21						
		1	4054	"	15.21						
		1	9508	Brg	15.21						
		3	16005, 16008, 16019	Drm	15.21						
		3	16022, 16024, 16025	"	15.21						
M2	2	2	8265, 8272	Hmr	15.21						
		1	23010, 23036	Drm	15.21						



Litra	Type	Antall	Vogn nr.	Distrikt	Bremses, oppvarming, belysning m. v. se side 6	Omtrentlig		Merknad		
						egen-	laste-			
						vekt	evne			
						tonn	tonn			
Mf1	1	2	2362, 2367	Oslo	3.15					
Mf2	1	1	17529	Thm					Rs - Drm	
		1	23468	Drm	3.15					
		1	23488	"					Rs - Drm	
Ms3	2	1	15881	"	15.21					
Msf3	2	2	15895, 15899	"	3.15					
N1	1	1	2586	Oslo	15.21					
		1	2624	"					Rc - Thm	
		1	6161	"					Rc - Oslo	
		1	6166	"	15.21					
		1	6376	"					Rc - Thm	
		1	7517	"					Rc - Oslo	
		1	8658	Hmr					Rc - Drm	
		1	16063	Drm					Rc - Thm	
		1	16179	"					Rc - Oslo	
	2	2	1820, 3927	Oslo	15.21					
		1	3929	"					Rc - Oslo	
		1	3971	"					Rc - Hmr	
		1	3990	"					Rc - Hmr	
		1	3998	"					Rc - Hmr	
		1	10831	Thm					Rs - Krs	
		1	10835	"					Rc - Drm	
		1	10837	"					Rs - Kra	
		3	10841, 10845, 10846	"	3.15					
		1	10850	"					Rs - Krs	
		3	11641, 11691, 11696	Oslo	15.21					
		2	11700, 11704	"	15.21					
N2	1	1	6451	"					Rc - Oslo	
		1	10890	Thm	15.21					
	2	1	3949	Oslo					Rs - Stv	
		1	6675	"					Rs - Drm	
		1	9542	Brg					Rs - Brg	
		1	20102	Drm					Rs - Drm	
		1	3968	Oslo	15.21					
	4	1	12541	Thm	3.15				Tidl. Nf2-1	
		1	12546	"	3.15				" "	
	5	1	2710	Oslo	3.15				" Nf2-2	
No1	1	1	6857	"	3.15				" Nfo1-1	
No2	1	1	10937	Thm	3.15				" Nfo2-1	
Nf2	2	1	2708	Oslo					Rs - Thm	
Q3	3	1	11302	"	3.15.24				Tidl. Qf3-2	
Q4	1	1	60115	"	1H.3.6.21.24.40		16,5			
Qo1	1	1	2783	"					Innreg. som privatvg. nr. 500161	
		1	2785	"					" " " " 500162	
		1	4383	"					" " " " 500163	
		1	14902	"					" " " " 500165	
		1	14904	"					" " " " 500166	
		1	14905	"					" " " " 500167	
		1	14906	"					" " " " 500168	
		1	14907	"					" " " " 500169	
		1	14908	"					" " " " 500170	
		1	14909	"					" " " " 500171	



Litra	Type	Antall	Vogn nr.	Distrikt	Bremses, oppvarming, belysning m. v. se side 6	Omtrentlig		Merknad
						egenvekt	lastevne	
						tonn	tonn	
Qo1	1	1	14911 ✓	Oslo				Innreg. som privatvg. nr. 500172 ✓
		1	15996 ✓	"				" " " " 500173 ✓
		1	16000 ✓	"				" " " " 500175 ✓
		1	17165 ✓	"				" " " " 500176 ✓
		1	17166 ✓	"				" " " " 500177 ✓
		1	17167 ✓	"				" " " " 500178 ✓
		1	17168 ✓	"				" " " " 500179 ✓
S3	1	1	8371 ✓	Hmr	1H.3.6.8			Tidl. Sf3-1
	2	1	2908 ✓	Oslo	1H.3.6.8.40			" Sf3-2
T3	1	1	6619 ✓	Thm	15.21			
T4	1	1	4324 ✓	Oslo	1H.21.24			Omnr. til 60195
		1	16607 ✓	Drm	1H.21.24			" " 60013
		3	60005, 60007, 60019 ✓	Oslo	1H.21.24			Tidl. Q4-1
		3	60028, 60082, 60091 ✓	"	1H.21.24			" "
		3	60103, 60118, 60172 ✓	"	1H.21.24			" "
		1	60200 ✓	"	1H.21.24			" "
T13	1	1	4229	Oslo	1H.3			" T1f3-1
		1	4231	"	3.15			" "
		2	4232, 4234	"	1H.3			" "
		1	4237	"	3.15			" "
		2	4241, 4243	"	1H.3			" "
		1	4248 ✓	"	3.15			" "
		3	4906, 4909, 4910	"	1H.3			" "
		3	4912, 4918, 4921	"	1H.3			" "
		1	4923 ✓	"	1H.3			" "
		1	4924 ✓	"	3.15			" "
		1	5385 ✓	Hmr	1H.3			" "
		1	6895 ✓	Oslo	1H.3			" "
		2	6896, 6999 ✓	"	3.15			" "
		2	10533, 10536 ✓	Thm	3.15			" "
		1	10538 ✓	"	1H.3			" "
		1	10540 ✓	"	3.15			" "
		3	10544, 10591, 10593 ✓	"	1H.3			" "
		1	10595 ✓	"	3.15			" "
		3	10946, 10959, 10963 ✓	"	1H.3			" "
		1	10968 ✓	"	1H.3			" "
		1	10970 ✓	"	3.15			" "
		1	10971 ✓	"	1H.3			" "
		1	14575 ✓	Brg	1H.3			" "
		2	16486, 16488 ✓	Drm	3.15			" "
		1	16493 ✓	"	1H.3			" "
		1	16494 ✓	"	3.15			" "
		T1o3	1	1	4929 ✓	Oslo	3.15	
2	14916, 14918 ✓			Brg	3.15			" "
Z1	1	1	16593 ✓	Drm	6.15.40			
Ø2	1	1	16735	"	15.21	6,0	11,0	
		1	16755	"	15.21	"	11,5	
		3	16757, 16765, 16779	"	15.21	"	11,0	
		1	16780	"	15.21	6,5	11,5	
		1	16781	"	15.21	"	11,0	



Typer som utgår:

Hv2 type 1
Nf1 " 1

Nye typer:

G2 type 5 Bremsarhus avtatt
G3 " 5 " "
G4 " 2 " "
N2 " 5 " "
Q3 " 3 " "
S3 " 2 " "
Tro4" 1

Maskindirektørens kontor

Oslo, 1. juli 1954.

